



HD Analog Miniature

4 in 1 Mini Bullet Camera

MB429V2

HD-TVI/HD-CVI/AHD/CVBS 4-in-1 Mini Bullet with 3.5~16mm Varifocal Lens

- 2MP Panasonic CMOS Sensor
- TVI/AHD/CVI/CVBS Selectable by Optional OSD (Pre-program up on request)
- 3MP Mega 3.5~16mm Varifocal Lens
- Ultra Low Light Color Camera
- Color : 0.08Lux, B/W : 0.008Lux
- Sens-up : Color 0.008Lux, B/W : 0.0008Lux
- Weatherproof
- D-WDR, 3D DNR
- UTC Function
- DC12V

Order Information

MB429V2 3.5~16mm Varifocal



Infinite Pixels Electronic USA Inc.
6330 McLeod Dr Suite 2, Las Vegas NV 89120

www.ipxusa.com sales@ipxusa.com



HD Analog Miniature

4 in 1 Mini Bullet Camera

MB429V2

HD-TVI/HD-CVI/AHD/CVBS 4-in-1 Mini Bullet with 3.5~16mm Varifocal Lens

- 2MP Panasonic CMOS Sensor
- TVI/AHD/CVI/CVBS Selectable by Optional OSD (Pre-program up on request)
- 3MP Mega 3.5~16mm Varifocal Lens
- Ultra Low Light Color Camera
- Color : 0.08Lux, B/W : 0.008Lux
- Sens-up : Color 0.008Lux, B/W : 0.0008Lux
- Weatherproof
- D-WDR, 3D DNR
- UTC Function
- DC12V

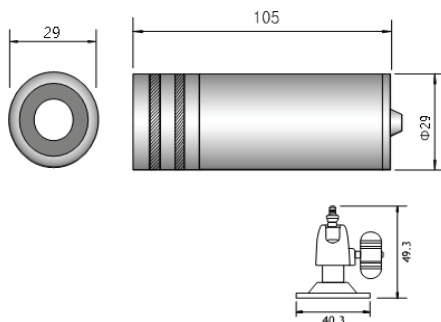
Optional OSD Operation



*Pre-program up on request

Push the Joystick to RIGHT for 5sec : AHD
Push the Joystick to LEFT for 5sec : CVBS
Push the Joystick to UP for 5sec : CVI
Push the Joystick to DOWN for 5sec : TVI

General Feature Diagram (mm)



Technical Specification

Specification		NTSC / PAL
Image Device		1/2.8 inch 2 MP Panasonic CMOS
Total Pixels / Active Pixels		2000(H) x 1241(V) / 1984(H) x 1225(V)
Scanning System		Progressive
Resolution		TVI, CVI, AHD: 1080P / CVBS:(1280H)_1000TVL
S/N Ratio		More than 52dB (AGC Off)
Video Output		HD-TVI/HD-CVI/AHD/CVBS
		Selectable Output Signal by Optional OSD Controller
		LEFT: CVBS / RIGHT: AHD / DOWN: HD-TVI / UP: HD-CVI (Hold 5 sec each direction)
Minimum Illumination		COLOR: 0.08Lux / BW: 0.008Lux
		COLOR SENS-UP: 0.008Lux / BW SENS-UP: 0.0008Lux
OSD Functions	White Balance	ATW / AWC-SET / INDOOR / OUTDOOR / MANUAL / AWB
	Exposure	MANUAL
	Shutter Speed	AUTO/FLK, 1/30(25) - 1/50,000 sec
	Sens-up	AUTO(x4) / x2, x4, x6, x8, x10, x15, x20, x25, x30
	Backlight Compensation	BLC / HSBLC
	Privacy Masking	4 Zone
	Day & Night	AUTO / COLOR / BW / EXT
	Motion Detection	OFF / ON
	2DNR	OFF / LOW / MIDDLE / HIGH
	3DNR	OFF / LOW / MIDDLE / HIGH
	Digital Effect	OFF / MIRROR / V-FLIP / ROTATE & FREEZE
	Sharpness / Defog	Adjustable / ON, OFF
	Image Enhancement	D-WDR
	Language	ENG/GER/FRA/ITA/SPA/POL/RUS/POR/NED/TUR/KOR/JPN/HEB/ARB
Power Input / Consumption		DC 12V (±30%), Max 1.3W
Operation / Storage Temp.		14°F ~ 122°F / -4°F ~ 140°F (-10°C ~ 50°C / -20°C ~ 60°C)
Dimension(mm)		Ø 29 x 105 (mm)
Cable		Standard 500mm BNC/DC Jack



Infinite Pixels Electronic USA Inc.
6330 McLeod Dr Suite 2, Las Vegas NV 89120