

5MP 4CH LumiDeterrent IP Kit With 4 Cameras

K54-4D1A2



Key Features

- 4K NVR With 2 TB HDD
- 4 Channels With One (1) SATA Port
- HDMI and VGA Output
- PoE Plug-and-Play
- 5MP Turret Housing
- 2.8 mm Fixed Lens
- LumiDeterrent With Flashing White-Lights and Built-In Speaker
- iMD

Certifications and Compliance

- NDAA Compliant
- FCC
- ONVIF

Learn More



Learn more about the camera's key technologies.



Learn more about the NVR's key technologies.

Overview

The **K54-4D1A2** is a complete security solution combining one (1) Luminy R3 Starter series NVR with four (4) 5MP turret network cameras. This compact, cost-effective kit delivers high-performance surveillance and is fully integrated within the Luminy ecosystem for seamless compatibility and reliable operation.

Key Technologies

R3 series NVRs are compatible with the **LumiViewer desktop platform and mobile app**. LumiViewer streamlines security management by providing real-time surveillance, playback of historical footage, and instant alarm notifications. With features like device sharing, an alarm hub for safety alerts, visual intercom for video calls and door control, and remote access management, LumiViewer ensures comprehensive and efficient monitoring.

LumiDeterrent technology integrates full-color video, active deterrence, and AI algorithms to provide 24/7 security. This technology can accurately identify potential risks and prevent incidents with white-light alarms and enhanced sound alarms.

Intelligent Motion Detection (iMD) technology accurately detects and filters humans and vehicle in a monitoring area. Using an advanced algorithm, iMD can accurately detect humans and vehicles while reducing false alarms caused by other objects, animals, or lighting. Users can be alerted to iMD events for timely security. iMD events can be saved for future reference and easily searched for at a later time for forensic analysis and to assist in investigations.

NVR Specifications - R31-4PB

R3 Starter Series NVR, 4K 4 Channel, 4 PoE

Video

Video Input	Four (4) Channels
Recording Resolutions	12MP, 8MP, 6MP, 5MP, 4MP, 3MP, 1080p, 720p, D1, VGA, CIF
Output Resolutions	HDMI: 4K (3840 × 2160), 1920 × 1080, 1280 × 1024 VGA: 1920 × 1080, 1280 × 1024
Live View/Playback Resolutions	12MP, 8MP, 6MP, 5MP, 4MP, 3MP, 1080p, 720p, D1, VGA, CIF

Decoding

Format	H.265, H.264, H.264H, H.264B, MJPEG
Capability	AI On <ul style="list-style-type: none"> • 1CH at 12MP (30 fps) • 1CH at 8MP (30 fps) • 3CH at 4MP (30 fps) AI Off <ul style="list-style-type: none"> • 1CH at 12MP (30 fps) • 2CH at 8MP (30 fps) • 4CH at 4MP (30 fps)
Synchronous Playback	1, 4 Views

Supported Analytics by NVR

Intelligent Motion Detection	Four (4) Channels
Smart Search	Search by Target Classification and Event Type

Interface

SATA	One (1) Port
HDD	2 TB Pre-Installed HDD (Up to Max. 20 TB per HDD)
Network	One (1) Port (RJ-45 Self-Adaptive Ethernet (10/100/1000 Mbps))
PoE	Four (4) Ports (RJ-45 Self-Adaptive Ethernet (10/100 Mbps))
USB	Front Panel: One (1) USB 2.0 Port Rear Panel: One (1) USB 2.0 Port
Audio	Input: One (1) RCA Channel Output: One (1) RCA Channel

Network

Bandwidth	AI On <ul style="list-style-type: none"> • Incoming/Recording: 80 Mbps • Outgoing: 60 Mbps AI Off <ul style="list-style-type: none"> • Incoming/Recording: 80 Mbps • Outgoing: 60 Mbps
Protocol	HTTP, HTTPS, TCP/IP, IPv4, IPv6, UPnP, SNMP, RTSP, UDP, SMTP, NTP, DHCP, DNS, DDNS
Interoperability	ONVIF, RTSP
PoE Standard	IEEE 802.3 af/at
Client	LumiViewer, LumiViewer Mobile App

Electrical

Power Supply	53 VDC, 1.22 A
Power Consumption	< 10 W (Without HDD) PoE: 36 W (Max. Output for Single Port: 25.5 W)

Construction

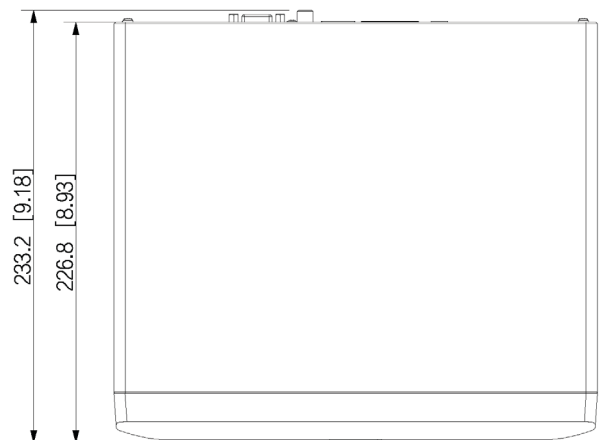
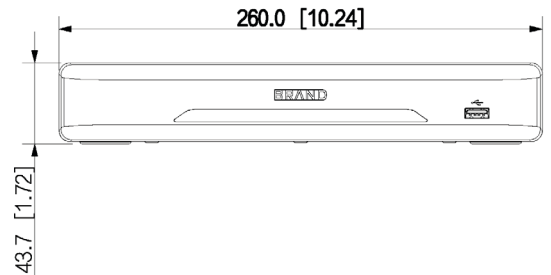
Housing	Mini 1U
Weight	1.9 kg (4.1 lb) Without HDD
Operating Temperature	-10 °C to 55 °C (10 °F to 131 °F) 10% to 93%
Product Dimensions (W x L x H)	260.0 mm × 233.2 mm × 43.7 mm (10.2 in. × 9.2 in. × 1.7 in.)

Certifications and Compliance

Certifications	FCC
Compliance	NDAA

Dimensional Drawing

mm [in.]



Camera Specifications - N3T-5DA2

5MP LumiDeterrent Fixed Turret Network Camera (2.8 mm)

Camera

Luminys Series	Starter
Image Sensor	1/2.7-in. 8MP Progressive CMOS
Maximum Resolution	3840 x 2160
Minimum Illumination	Color: 0.007 Lux at F1.6 Black/White: 0.0007 Lux at F1.6 0 Lux With IR Light On
Number of Illuminators	One (1) White-Light LED, One (1) IR LED, Supports LumiLuxSmart
Illuminator Control	Automatic, Manual
Maximum Illumination Distance	IR: Up to 30.5 m (100.0 ft) White Light: Up to 30.5 m (100.0 ft)
Electronic Shutter Speed	Automatic, Manual 1/3 s to 1/100,000 s
Installation Angle	Pan/Rotation: 0° to 360° Tilt: 0° to 78°
S/N Ratio	> 56 dB

Lens

Iris Type	Fixed
Lens Type	Fixed
Focal Length	2.8 mm
Maximum Aperture	F1.6
Field of View	Horizontal: 111° Vertical: 58° Diagonal: 132°
Close Focus Range	1.1 m (3.6 ft)
DORI Distance	Detect: 63.4 m (208.0 ft) Observe: 25.1 m (82.4 ft) Recognize: 12.4 m (40.7 ft) Identify: 6.2 m (20.3 ft)

Video

Compression	Smart Encoding H.265+, H.265, Smart Encoding H.264+, H.264, MJPEG (Sub Stream Only)
Standard Codec	Supported
Stream Capability	Two (2)
Resolution	5MP (2960 × 1668), 4MP (2688 × 1520), 4MP (2560 × 1440), 3MP (2304 × 1296), 1080p (1920 × 1080), 1.3MP (1280 × 960), 720P (1280 × 720), D1 (704 × 480), VGA (640 × 480), CIF (352 × 240)
Maximum Frame Rate	Main Stream: 5MP at 20 fps Sub Stream 1: D1 at 30 fps
Video Bit Rate	H.264: 3 kbps to 8,192 kbps H.265: 3 kbps to 8,192 kbps
Bit Rate Control	CBR/VBR
Day/Night	Automatic (ICR), Color, Black and White

Video

Light Balancing	Wide Dynamic Range (120 dB)
Noise Reduction	3D NR
Image Angle	0°/90°/180°/270° (90°/270° Available for 2688 × 1520 Resolution or Lower)
Image Mirroring	Supported
Region of Interest	Four (4) Zones
Privacy Masking	Four (4) Zones

Analytics

Video Content Analytics	Line Crossing, Intrusion
Intelligent Motion Detection	Supported with Alarms for Vehicles and Humans

Audio

Compression	G.711a, G.711Mu, PCM
Interface	Input: Built-In Microphone Output: Built-In Speaker

Alarm

Event	Line Crossing, Intrusion, Motion Detection, iMD, Audio Detection, Video Tampering, Disk Full, Disk Error, Voltage Detection, Security Exception
-------	---

Network

Protocol	RJ-45 (10/100 Base-T)
Protocol	IPv4, IPv6, DNS, TCP, UDP, DHCP, HTTP, HTTPS, 802.1X, RTSP, DDNS, P2P, SMTP, RTMP, UPnP, Auto Registration, ICMP, IGMP, FTP, SFTP, RTP, RTCP, ARP, NTP, Multicast, NFS
Interoperability	ONVIF (Profile S/G/T), API, SDK
Browser	Chrome, Firefox, Edge
Client	LumiViewer, LumiViewer Mobile App
Storage	FTP, SFTP, MicroSD Card (Max. 256 GB)

Electrical

Power Supply	12 VDC, PoE (802.3af)
Power Consumption	12 VDC • Maximum: 6.9 W • Normal: 2.5 W PoE • Maximum: 8.2 W • Normal: 3.2 W

Construction

Net Weight	0.5 kg (1.2 lb)
Gross Weight	0.7 kg (1.6 lb)
Operating Temperature	-40 to 60 °C (-40 to 140 °F) < 95% RH (Non-Condensing)



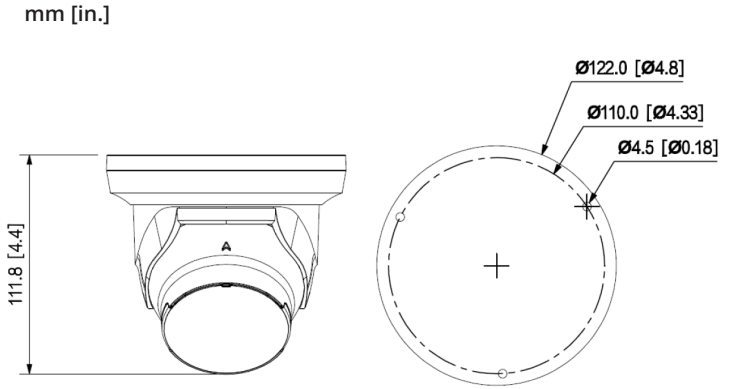
Construction

Product Dimensions	122.0 mm × 111.8 mm (4.8 in. × 4.4 in.)
Packaging Dimensions (L x W x H)	148.0 mm x 139.0 mm x 137.0 mm (5.8 in. x 5.5 in. x 5.4 in.)
Protection Ratings	IP67, IK10
Material	Metal

Certifications and Compliance

Certifications	FCC, IC
Compliance	NDAA

Dimensional Drawing



Compatible Accessories

Below are the compatible accessories for this product. Not all accessories are included with purchase; some must be purchased separately. For each mount type, all listed SKUs are required to ensure proper installation.

Cross-check the accessories in this datasheet with the Luminy's accessory selector tool, and verify that the mount size corresponds to the camera size. Failure to check may result in an incorrect or incomplete mount.

Accessory Combination	SKU(s)	Description
Junction Box	LUM-J02 OR LUM-CJ11 (Must be Purchased Separately)	Junction Box for Select Standard Size Dome and Mini Turret Camera Models OR Waterproof Junction Box for Select Standard Size Dome and Mini Turret Camera Models
Wall Mount	LUM-W01 (Must be Purchased Separately)	Wall Mount Bracket for Select N5D Dome and N5T/N3T Turret Cameras
Horizontal Pole Mount (Option 1)*	LUM-W01 (Must be Purchased Separately)	Wall Mount Bracket for Select N5D Dome and N5T/N3T Turret Cameras
	LUM-P02 (Must be Purchased Separately)	Pole Mount Bracket for Select N3 and N5 Series Cameras
Horizontal Pole Mount (Option 2)*	LUM-A01 (Must be Purchased Separately)	Adapter Plate for Select Dome and Turret Cameras
	LUM-W02 (Must be Purchased Separately)	Wall Mount Bracket for Select N5D, N5T, N3T, P45, P54, and P55 Cameras
	LUM-P01 (Must be Purchased Separately)	Pole Mount Bracket for Select N3 and N5 Series Cameras
Vertical Pole Mount*	LUM-A01 (Must be Purchased Separately)	Junction Box for Standard Size Turret Camera Models
	LUM-E01 (Must be Purchased Separately)	Ceiling Mount Bracket for Standard Dome, Dome Wedge, and Mini Turret Cameras
	LUM-P01 (Must be Purchased Separately)	Pole Mount Bracket for Select N3 and N5 Series Cameras
Pendant Mount*	LUM-A01 (Must be Purchased Separately)	Adapter Plate for Select Dome and Turret Cameras
	LUM-E01 (Must be Purchased Separately)	Ceiling Mount Bracket for Standard Dome, Dome Wedge, and Mini Turret Cameras
	LUM-A01 (Must be Purchased Separately)	Adapter Plate for Select Dome and Turret Cameras
Corner Mount*	LUM-W02 (Must be Purchased Separately)	Wall Mount Bracket for Select N5D, N5T, N3T, P45, P54, and P55 Cameras
	LUM-C01 (Must be Purchased Separately)	Corner Mount Bracket for N3/N5/N9/P4/P Series Cameras

*All SKUs listed must be used to complete the mounting combination. Verify the compatibility of the listed mounting components prior to ordering. Failure to use all SKUs listed and ensure compatibility may result in an incorrect or incomplete mount.