

# Installation Guide

## INTPM / INTPMW

speco technologies®

200 New Highway, Amityville NY 11701  
800.645.5516 / www.specotech.com

### Pendant Mount

#### Compatible Models

- CVC5300DPVF
- CVC5845DND, CVC5945DND
- CVC5735DND, CVC5835DND, CVC5935DND
- HT7246iHR, HT7247iHR, HT7250iHR
- HT7248FFi, HTD8FFi
- HTINTD8, HTINTD9, HTINTD10
- OINT03D1G



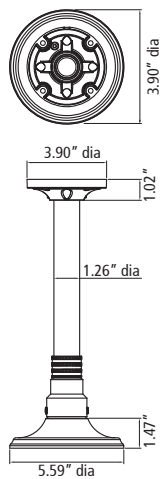
#### Package Contents

The following items are included in this package.

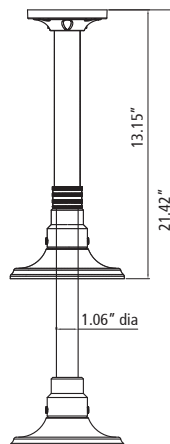
- INTPM
- 1 Bracket Base Adaptor
- 1 Wrench
- 4 Tapping Screws #8 x 25
- 4 Hexagon Socket Screws M5 x 10
- 3 Machine Screws M4 x 15
- 3 Machine Screws M4 x 22
- 2 Machine Screws M4 x 18

#### Dimensions

Front View

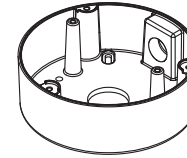


Side View



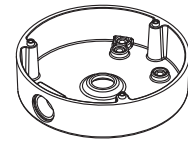
#### Optional Accessories

CVCJBD



Dome Junction Box

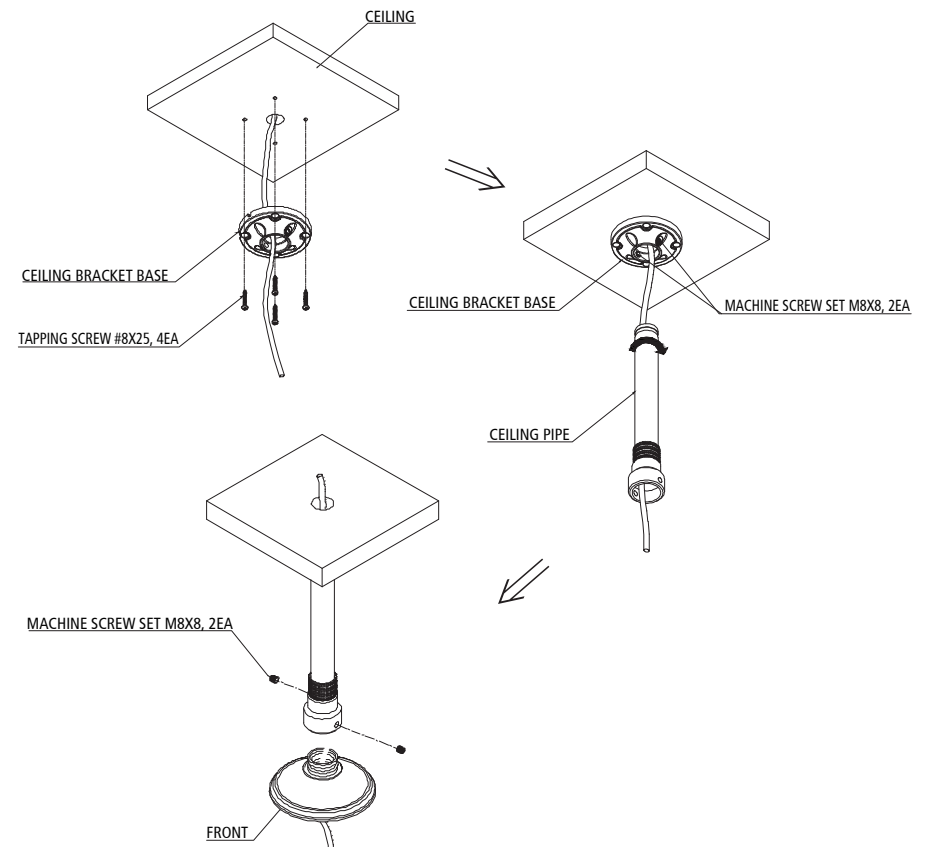
JB03TG



Large Round Junction Box

#### Installation Instruction Diagram

1-1. Install mount onto the ceiling by using the screws provided.

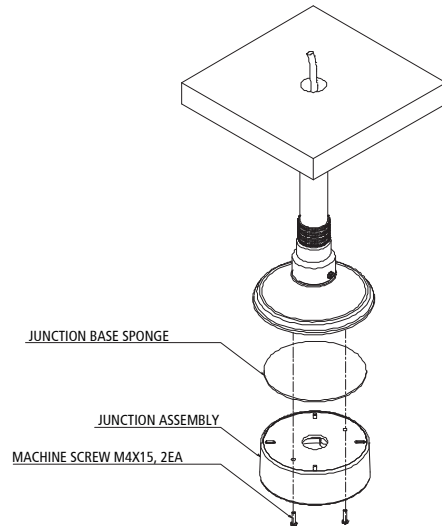


# Installation Guide

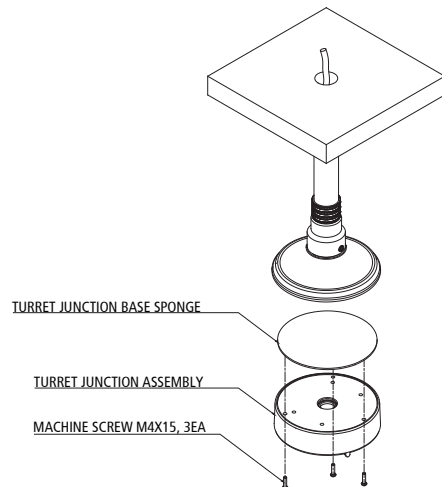
## INTPM / INTPMW

### Installation Instruction Diagram

- 1-2. Install INTPM onto ceiling.
- 1-3. Install CVCJBD junction box onto INTPM as shown in the image below.



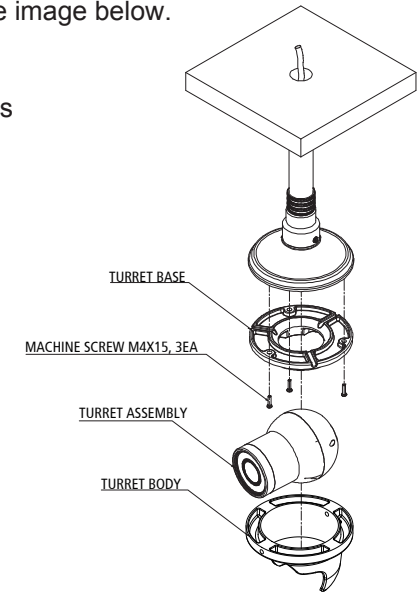
- 1-4. Install INTPM onto ceiling.
- 1-5. Install JB03TG junction box onto INTPM as shown in the image below.



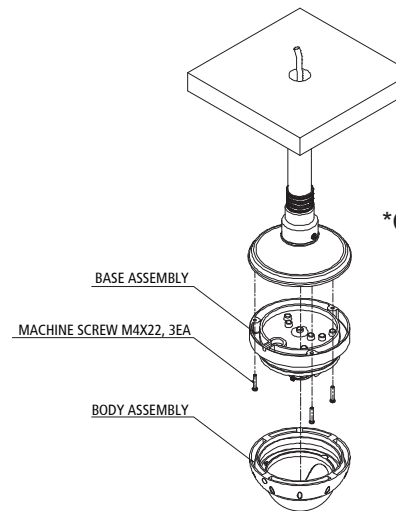
### Installation Instruction Diagram

2. Arrange each piece as shown in the image below.
3. Fasten the camera onto the mount.

\*Compatible models  
 CVC5845DNV(W)  
 CVC5945DNV(W)  
 CVC5300DPVF(W)  
 HTD8FFi  
 HTINTD8(W)  
 HTINTD9(W)  
 HTINTD10(W)  
 OINT03D1G



\*Compatible models  
 CVC5735DNV(W)  
 CVC5835DNV(W)  
 CVC5935DNV(W)



\*Compatible models  
 HT7246iHR  
 HT7247iHR  
 HT7250iHR  
 HT7248FFi

