



Analog

Bullet

HCO-7010RA

QHD (4MP) Analog IR Bullet Camera



Key Features

- QHD (2560 x 1440, 30fps) resolution
- 0.26 Lux@F1.8 (Color), 0 Lux (B/W : IR LED on)
- Built-in 2.8mm fixed lens
- Day & Night (ICR), DWDR, Motion detection
- IR Viewable Length 20m
- Transmission distance max.500m
- Easy installation (Plug & play), IP66, IK10

Compatible Devices



SBP-302PM



SBO-100B1

HCO-7010RA

QHD (4MP) Analog IR Bullet Camera



Specifications

Video

Imaging Device	Size	1/3"
	Type	CMOS
Resolution		2560x1440
Max. Framerate(NTSC/PAL)		30fps/25fps
Min. Illumination	Color(1/30sec, 30IRE)	0.26
	BW(1/30sec, 30IRE)	0.026
Video Out		CVBS: 1.0Vp-p / 75Ω composite, 720x480(N), 720x576(P) for installation, BNC: AHD
Video Transmission Distance		500m(5C2V Coaxial Cable)

Lens

Focal Length (mm)		2.8
Max Aperture Ratio (F number)	Wide	1.8
Angular Field of View	Horizontal	107.48°
	Vertical	59.67°
	Diagonal	122.01°
Min. Object Distance		0.5m(1.64ft)

Operational

Day & Night		Auto(ICR)
Backlight Compensation		BLC, HLC, DWDR
Digital Noise Reduction		2DDNR
Motion Detection	Quantity	4ea
Privacy Masking	Quantity	2ea
Gain Control		Low, Middle, High, Very High
White Balance		ATW, AWC, Manual, Indoor, Outdoor
Electronic Shutter	Speed Range	1/30~1/12,000sec(N), 1/25~1/12,000sec(P)
Video Rotation		Flip, Mirror
IR Viewable Length		25m(65.62ft)

Operational

Coaxial Protocol	ACP, CVBS
------------------	-----------

Analytics

Analytics Events	Normal	Motion detection
------------------	--------	------------------

Environmental & Electrical

Operating Condition	Temperature	-30°C~+55°C(-22°F~+131°F)
---------------------	-------------	---------------------------

Humidity	0~90% RH(non-condensing)
----------	--------------------------

Input Voltage	12VDC
---------------	-------

Power Consumption	12VDC	Max 5W
-------------------	-------	--------

Mechanical

Color	Dark grey
-------	-----------

Material	Aluminum
----------	----------

Product Dimensions	ø70.0x246.0mm(ø2.76x9.69")
--------------------	----------------------------

Product Weight	670g(1.48lb)
----------------	--------------

Certifications & Standards

Environment	IEC 60529 IP66, IEC 62262 IK10
-------------	--------------------------------

HCO-7010RA

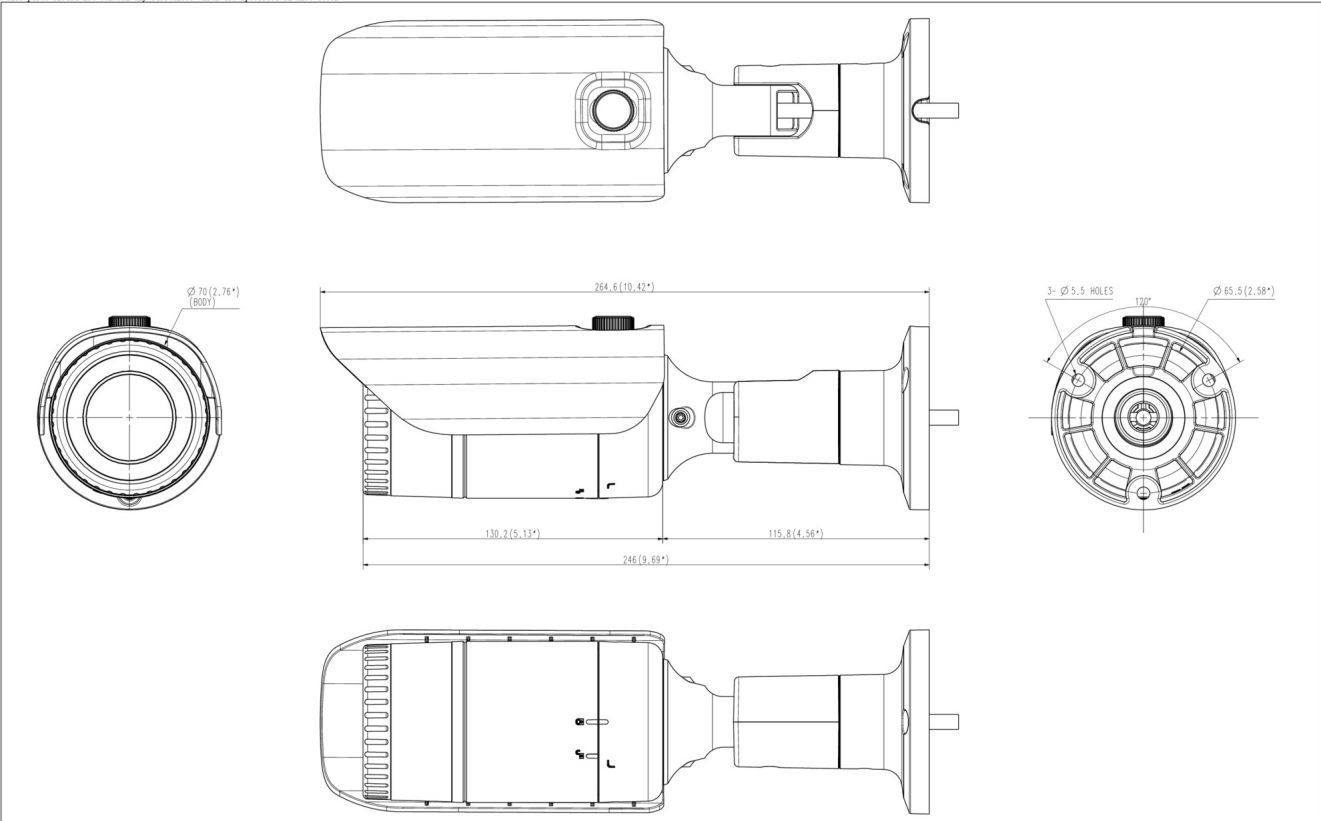
QHD (4MP) Analog IR Bullet Camera



CAD

Unit: mm [inch]

This parts should not contain any substances which are specified in A860-0033K



UNIT	mm (inch)	DESIGN	CHECK	APPROVAL	PART NAME	-
SCALE	1/1	HTW	-	-	MODEL NAME	HCO-7010R/7020R/7030R
		17.07.26	17.07.26	17.07.26	CODE NO.	049964

