



Analog Dome

HCD-6020R

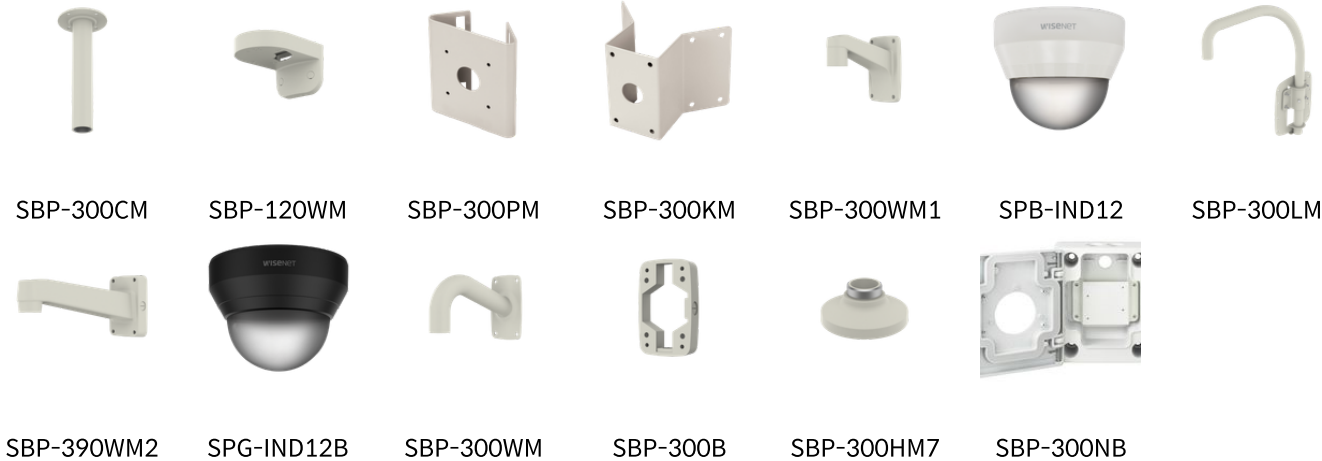
2MP Analog IR Dome Camera



Key Features

- Full HD (1,920 x 1,080) Resolution
- 0.17Lux@F1.6 (Color), 0Lux (B/W : IR LED on)
- Built-in 4mm fixed lens
- Day & Night (ICR), WDR (120dB)
- SSNRIV, Motion detection
- Transmission distance max.500m

Compatible Devices



HCD-6020R

2MP Analog IR Dome Camera



Specifications

Video

Imaging Device	Size	1/2.8"
	Type	CMOS
Resolution		1920x1080
Max. Framerate(NTSC/PAL)		30fps/25fps
Min. Illumination	Color(1/30sec, 30IRE)	0.17
	BW(1/30sec, 30IRE)	0.017
Video Out		BNC: AHD/TVI/CVI/CVBS Selectable
Video Transmission Distance		500m(5C2V Coaxial Cable)

Lens

Focal Length (mm)		4
Max Aperture Ratio (F number)	Wide	1.6
Angular Field of View	Horizontal	87.6°
	Vertical	46.4°
	Diagonal	104.5°
Min. Object Distance		0.5m(1.64ft)
Focus Control		Manual

Pan / Tilt / Rotate

Pan / Tilt / Rotate Range	Pan	0°~350°
	Tilt	0°~67°
	Rotate	0°~355°

Operational

Day & Night	Auto(ICR)
Backlight Compensation	BLC, HLC, WDR
Wide Dynamic Range (dB)	120
Digital Noise Reduction	SSNRIV
Defog	Support

Operational

Motion Detection	Quantity	4ea
Privacy Masking	Quantity	8ea
	Shape	Rectangular zones
Gain Control		Low, Middle, High, Very High
White Balance		ATW, AWC, Manual, Indoor, Outdoor
Electronic Shutter	Speed Range	1~1/12,000sec
Video Rotation		Flip, Mirror
IR Viewable Length		20m(65.62ft)
Coaxial Protocol		ACP, TCP, CCP, CVBS

Analytics

Analytics Events	Normal	Motion detection
-------------------------	--------	------------------

Environmental & Electrical

Operating Condition	Temperature	-10°C~+55°C(+14°F~+131°F)
	Humidity	0~90% RH(non-condensing)
Input Voltage		12VDC
Power Consumption	12VDC	Max 5.4W

Mechanical

Color	Ivory
Material	PC(Polycarbonate)
Product Dimensions	Ø110x86mm(4.33x3.39")
Product Weight	227g(0.50lb)

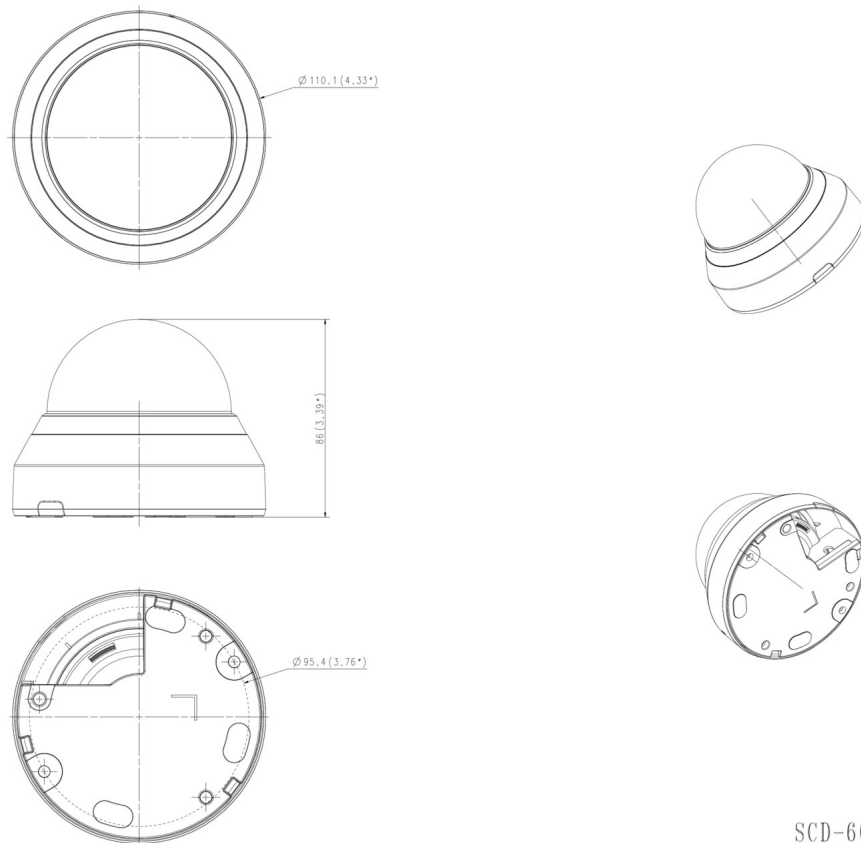
HCD-6020R

2MP Analog IR Dome Camera



CAD

Unit: mm [inch]



SCD-6023R
Appearance Drawing
Unit:mm (inch)