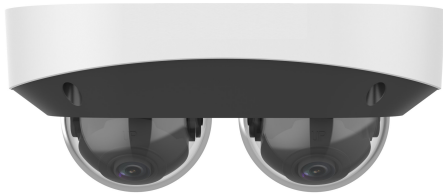


GV-TMS8800 AI 4MP*2 Dual-sensor H.265 Super Low Lux WDR Pro IR Fixed IP

Dome



- AI deep learning: AI Perimeter Protection & Classification (Human, Vehicle)
- 1/3.0" progressive scan super low lux CMOS sensor
- Triple streams from H.265, H.264 or MJPEG
- Min. illumination at 0.002 lux
- Up to 25 fps at 2688 x 1520
- Wide Dynamic Range Pro (WDR Pro)
- Day and night function (with removable IR-cut filter)
- Intelligent IR
- IR distance up to 30 m (100 ft)
- Built-in micro SD card slot (SD / SDHC / SDXC / UHS-I, Class 10) for local storage
- 3-axis mechanism (pan / tilt / rotate)
- Ingress protection (IP67)
- Vandal Resistance (IK10 for metal casing)
- DC 12V / PoE (IEEE 802.3af)
- Built-in microphone
- Two-way audio capable
- Defog
- 3D noise deduction
- AI analytics (Intrusion, Cross Line, Enter Area, Leave Area, Face Detection, People Flow Counting, Crowd Density Monitoring)
- Motion detection
- Tampering alarm
- Text overlay
- Privacy mask
- 12 languages supported
- ONVIF (Profile G, S, T) conformant

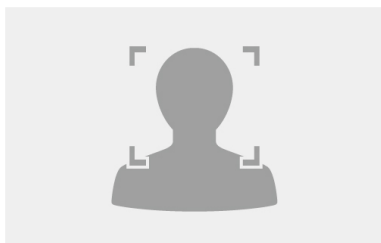
Introduction

GV-TMS8800 features two 4MP CMOS image sensors to deliver a video resolution of 2688 x 1520 at up to 25fps. It's an outdoor, fixed, network camera equipped with an automatic IR-cut filter and two IR LEDs for day and night surveillance. The camera supports H.265 video codec to achieve better compression ratio while maintaining high quality pictures at reduced network bandwidths. The camera adheres to IP67 and IK10 standards, and can be powered through PoE.

Empowered by deep learning algorithms, AI technology distinguishes human and vehicles from other moving objects. Integrated with GeoVision Video Management Software (VMS), it supports AI perimeter protection, real time alert, playback and more.

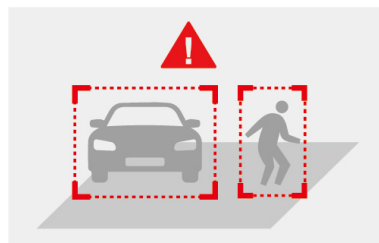
Deep Learning Function

Face Detection



AI Perimeter Protection

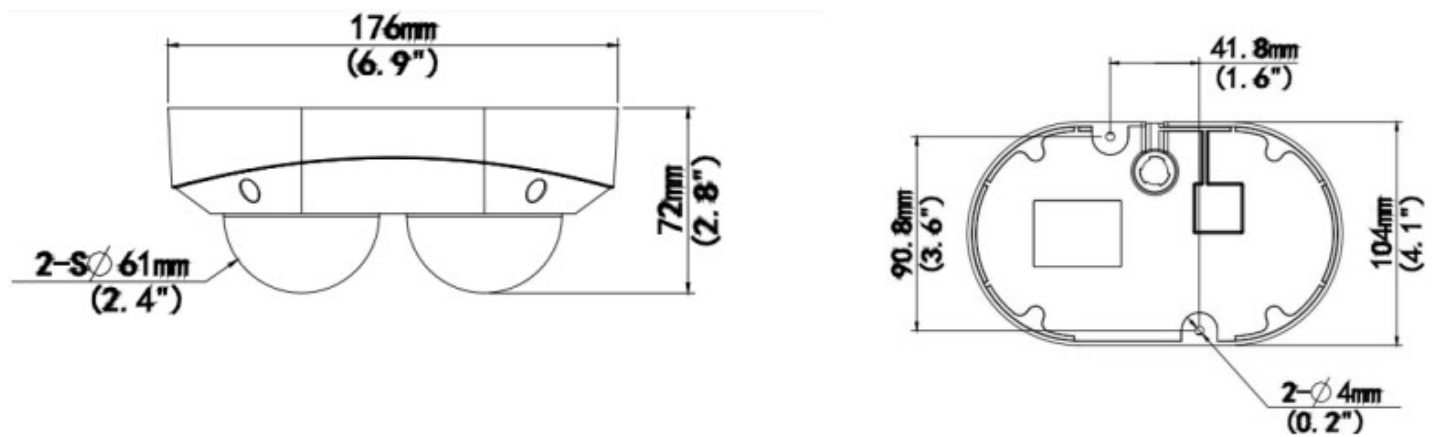
(Intrusion, Crossing Line
Entering Area, Leaving Area)



People Flow Counting



Dimensions



Specifications

Camera		
Image Sensor		1/3.0" progressive scan CMOS
Picture Elements		2688 (H) x 1520 (V)
Minimum Illumination	Color	0.002 Lux (F1.6, AGC ON)
	IR ON	0 Lux
Shutter Speed		Auto / Manual (1 ~ 1/100000 sec)
White Balance		Automatic, Manual
Gain Control		Automatic, Manual
S/N Ratio		52 dB
WDR Pro		Yes
Dynamic Range		130 dB
Lens		
Megapixel		4 MP
Day / Night		Yes (with removable IR-cut filter)
Lens Type		Fixed
Focal Length		2.8 mm
Maximum Aperture		F/1.6
Mount		M12
Horizontal FOV		97.7°
Operation	Focus	Fixed
	Zoom	Fixed
	Iris	Fixed
IR LED Quantity		2 IR LEDs
Max. IR Distance		30 m (100 ft)
Operation		
Video Compression		H.265, H.264, MJPEG
Video Streaming		Triple streams from H.265, H.264 or MJPEG
Frame Rate		25 fps at 2688 x 1520, 25 fps at 2560 x 1440, 30 fps at 2304 x 1296, 30 fps at 1920 x 1080, 30 fps at 1280 x 720 (60 / 50 Hz) * The frame rate and performance may vary depending on the number of connections and data bitrates (different scenes).
Video Analytics		Motion Detection, Ultra motion detection, Tampering Alarm, Audio Detection *Tampering alarm and audio detection are only accessible through the camera's Web interface, which can be used to trigger alerts such as e-mail and FTP
Image Setting		Brightness, Saturation, Contrast, Sharpness, Flicker-less, Image Orientation (Flip, Mirror, 0°, 90°, 180°)
Audio Compression		G.711
Audio Support		Two-way Audio (External microphone and speaker required)
Digital I/O	Input	1 Input, dry contact, N.O. / N.C.
	Output	1 Relay Output (1A 30V DC / 0.3A 125V AC)

Deep Learning Function		
AI Analytics	Sensor 1	Intrusion, Cross Line, Entering Area, Face Detection, Leaving Area (Human & Vehicle classification), People Flow Counting, Crowd Density Monitoring
	Sensor 2	Intrusion, Cross Line, Entering Area, Leaving Area (Human & Vehicle classification)
Network		
Interface	10/100 Base-TX Ethernet	
Protocol	802.1x, ARP, DHCP, DDNS, DNS, DynDNS, FTP, HTTP, HTTPS, ICMP, IGMP, IPv4, IPv6, NTP, PPPoE, QoS, RTCP, RTP, RTSP, SMTP, SNMP, TCP, UDP, UPnP, ONVIF (Profile G, S, T)	
Video Resolution		
Main Stream	2688 x 1520 (Default), 2560 x 1440, 2304 x 1296, 1920 x 1080, 1280 x 720	
Sub Stream	1280 x 720, 720 x 576 (Default), 640 x 360, 704 x 288, 352 x 288	
Third Stream (Closed by Default)	720 x 576, 640 x 360, 704 x 288, 352 x 288 (Default)	
Mechanical		
Temperature Detector	No	
Camera Angle Adjustment	Pan	0° ~ 180°
	Tilt	0° ~ 66°
	Rotate	0° ~ 346°
Connectors	Power	DC Jack (DC 12V, 1.25A), PoE
	Ethernet	RJ-45 connector
	Audio	1 In (Built-in or external microphone with power supply) 1 Out (Audio Out Wire) *The Audio In port only support microphones with power supply.
	Digital I/O	I/O wires
	Local Storage	Micro SD card slot (SD / SDHC / SDXC / UHS-I, Class 10) *UHS-II card type is not supported.
General		
Operating Temperature	-30°C ~ 60°C (-22°F ~ 140°F)	
Humidity	0% ~ 95% (no condensation)	
Power Source	12V DC / PoE (IEEE802.3af)	
Max. Power Consumption	9.1W	
Dimensions	Ø 176 × 104 × 72 mm (Ø 6.9" × 4.1" × 2.8")	
Weight	0.62 kg (1.37 lb)	
Ingress Protection	IP67	
Vandal Resistant	IK10 for metal casing	
Certification	FCC, CE, RoHS, UL compliant	
Web Interface		
Installation Management	Web-based configuration	
Maintenance	Firmware upgrade through Web Browser or GV-IP Device Utility	
Access from Web Browser	Live View, Video Recording, Change Video Quality, Bandwidth Control, Image Snapshot, Defog, Text Overlay, Image Masking	
Language	Czech, English, French, German, Hungarian, Italian, Japanese, Polish, Portuguese, Russian, Spanish, Traditional Chinese	
Software Applications		
Software Supported	GV-DVR / NVR (V8.9.1), GV-VMS (V17.4.4 / V18.2.1), GV-Control Center (V3.8.0 / V4.0.1), GV-Edge Recording Manager Windows Version (V2.1.0), GV-Recording Server / Video Gateway (V2.0.1), GV-Redundant / Failover Server (V1.2.0), GV-Mobile Server (V1.5.1), GV-AI Guard (V1.0.0)	
Live Viewing	Browser (IE, Edge, Chrome, Firefox, Safari), Mobile APP	



Note:

1. Patch files are required for some supported software.
2. Do not use clothes or any ordinary material to clean the camera cover since they may result in scratches.
3. Specifications are subject to change without notice.

Packing List

- | | |
|--------------------------|--------------------------|
| 1. GV-TMS8800 Mini Dome | 4. Drill Template Paster |
| 2. Waterproof Rubber Set | 5. Torx Wrench |
| 3. Screw Kit | 6. Download Guide |

Accessories

Model No.	Name		Details
TBC	Junction Box		Dimensions: Weight:
GV-PA191	Power over Ethernet (PoE) Adapter		The GV-PA191 is a Power over Ethernet (PoE) adapter designed to provide power to the IP device through a single Ethernet cable.
GV-POE Switch			The GV-POE Switch is designed to provide power along with network connection for IP devices. The GV-POE Switch is available in various models with different numbers and types of ports.
Power Adapter			Contact our sales representatives for the countries and areas supported.