

## GV-TBL8804 AI 8MP H.265 Super Low Lux WDR Pro IR Bullet IP Camera



- AI deep learning: AI Perimeter Protection & Classification (Human, Vehicle)
- 1/2.7" progressive scan super low lux CMOS sensor
- Triple streams from H.265, H.264 or MJPEG
- Wide Dynamic Range Pro (WDR Pro)
- Min. illumination at 0.01 lux
- Up to 20 fps at 3480 x 2160
- Intelligent IR
- Day and night function (with removable IR-cut filter)
- Active deterrence
- IR distance up to 30 m (100 ft)
- Ingress protection (IP67)
- Built-in micro SD card slot (SD / SDHC / SDXC / UHS-I, Class 10) for local storage
- Two-way audio
- DC 12V / PoE (IEEE 802.3af)
- ONVIF (Profile S, G, T) conformant

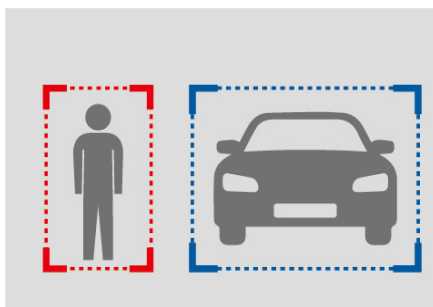
### Introduction

The Bullet IP Camera is an outdoor, network camera equipped with an automatic IR-cut filter, IR LED, and two white LEDs for day and night surveillance. The camera supports H.265 video codec to achieve better compression ratio while maintaining high quality pictures at reduced network bandwidths. GV-TBL8804 adheres to IP67 standards, and can be powered through PoE.

Empowered by deep learning algorithms, AI technology distinguishes human and vehicles from other moving objects. Integrated with GeoVision Video Management Software (VMS), it supports AI perimeter protection, real time alert, events playback and more.

### Deep Learning Function

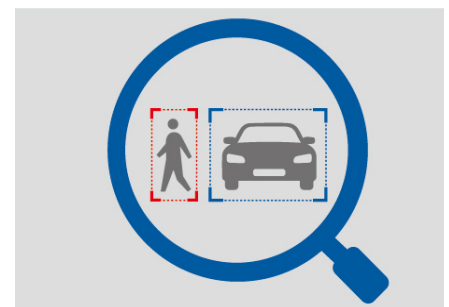
#### Detection & Classification (Human & Vehicle)



#### AI Perimeter Protection (Intrusion, Crossing Line Entering Area, Leaving Area)

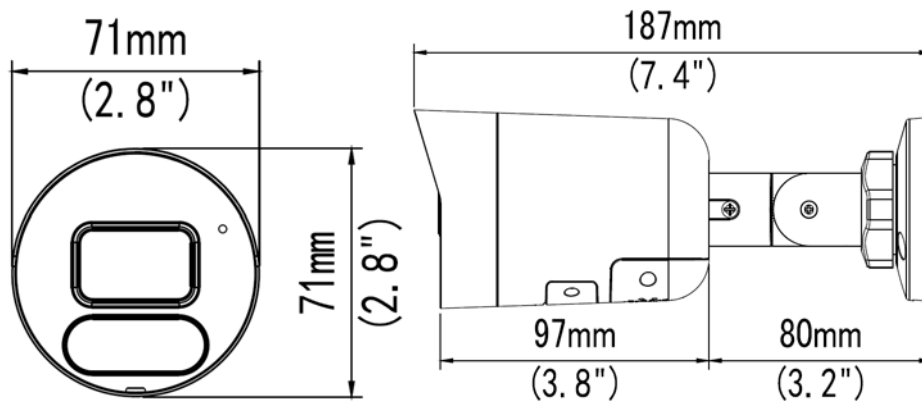


#### Advanced Search (VMS V18 or later) (Search By Type, Date)



**Note:** The integration of AI events of the camera to GV-VMS is coming soon.

## Dimensions



## Specifications

Camera		
Image Sensor	1/2.7" progressive scan super low lux CMOS	
Picture Elements	3840 (H) x 2160 (V)	
Minimum Illumination	Color	0.01 Lux (F2.0, AGC ON)
	IR ON	0 Lux
Shutter Speed	Auto / Manual (1 ~ 1/100000 sec)	
White Balance	Auto / Manual	
Gain Control	Auto / Manual	
S/N Ratio	56 dB	
WDR Pro	Yes	
Dynamic Range	Up to 120 dB	
Lens		
Megapixel	8 MP	
Day / Night	Yes (with removable IR-cut filter)	
Lens Type	Fixed	
Focal Length	4 mm	
Maximum Aperture	F/2.0	
Mount	M12	
Horizontal FOV	86°	
Operation	Focus	Fixed
	Zoom	
	Iris	
IR LED Quantity	1 IR LED	
Max. IR Distance	30 m (100 ft)	
White LED Quantity	2 White LEDs	
Max. White Light Distance	20 m (65 ft)	
Operation		
Video Compression	H.265, H.264, MJPEG	
Video Streaming	Triple streams from H.265, H.264 or MJPEG	
Video Resolution	Main Stream	3840 x 2160 (Default), 2944 x 1656, 2560 x 1440, 1920 x 1080
	Sub Stream	1280 x 720, 704 x 576, 704 x 288, 640 x 360 (Default), 352 x 288
	Third Stream (Closed by Default)	704 x 576, 704 x 288, 640 x 360, 352 x 288
Frame Rate	20 fps at 3840 x 2160, 25 fps at 2944 x 1656 / 2560 x 1440, 30 fps at 1920 x 1080 (60 / 50 Hz) *The frame rate and performance may vary depending on the number of connections and data bitrates (different scenes).	
Video Analytics	Motion Detection, Tampering Alarm, Audio Detection *Tampering Alarm, Audio Detection are only accessible through the camera's Web interface, which can be used to trigger alerts such as e-mail and FTP	

Image Setting	Brightness, Contrast, Saturation, Sharpness, Flicker-less, Image Orientation (Flip, Mirror, 0°, 90°, 180°, 270°-including Corridor format)	
Audio Compression	G.711	
Audio Support	Two-way Audio (built-in microphone and speaker)	
<b>Deep Learning Function</b>		
AI Perimeter Protection	Intrusion, Crossing Line, Entering Area, Leaving Area (Human & Vehicle classification)	
<b>Network</b>		
Interface	10/100 Ethernet	
Protocol	ARP, DHCP, DDNS, DNS, DynDNS, FTP, HTTP, HTTPS, ICMP, IGMP, IPv4, NTP, RTCP, RTP, RTSP, SMTP, TCP, UDP, UPnP, ONVIF (Profile S,G,T)	
<b>Mechanical</b>		
Temperature Detector	No	
Camera Angle Adjustment	Pan	0° ~ 360°
	Tilt	0° ~ 90°
	Rotate	0° ~ 360°
Connectors	Power	DC Jack (DC 12 V, 1.25 A), PoE
	Ethernet	RJ-45 connector
	Audio	Two-way (built-in microphone and speaker)
	Local Storage	Micro SD card slot (SD/SDHC/SDXC/UHS-I, Class 10) *UHS-II card types are not supported.
<b>General</b>		
Operating Temperature	-30°C ~ 60°C (-22°F ~ 140°F)	
Humidity	0 ~ 95% (no condensation)	
Power Source	12 V DC / PoE (IEEE802.3af)	
Max. Power Consumption	10.5 W	
Dimensions	187 × 71 × 71 mm (7.4" × 2.8" × 2.8")	
Weight	0.41 kg (0.99 lb)	
Ingress Protection	IP67	
Regulatory	FCC, CE, RoHS compliant	
<b>Web Interface</b>		
Installation Management	Web-based configuration	
Maintenance	Firmware upgrade through Web Browser or GV-IP Device Utility	
Access from Web Browser	Live View, Video Recording, Change Video Quality, Bandwidth Control, Image Snapshot, Defog, Text Overlay, Image Masking	
Language	Czech, English, French, German, Italian, Russian, Traditional Chinese	
<b>Software Application</b>		
Software Supported	GV-VMS (V17.4.1 / V18.2.1), GV-DVR / NVR (V8.9.1), GV-Control Center (V3.8.0), GV-Recording Server / Video Gateway (V2.0.0), GV-Edge Recording Manager Win version (V2.0.0), GV-Redundant / Failover Server (V1.2.0)	
Smart Device Access	GV-Eye for iOS and Android	
Live Viewing	Browser (IE, Edge, Chrome), Mobile App	



**Note:**

1. It is required to apply patch files to all or some of the supported software.
2. Do not use clothes or any ordinary material to clean the camera cover since they may result in scratches.
3. Specifications are subject to change without notice.

**Packing List**

- |                                   |                          |
|-----------------------------------|--------------------------|
| 1. GV-TBL8804 IR Bullet IP Camera | 4. Drill Template Paster |
| 2. Waterproof Rubber Set          | 5. Download Guide        |
| 3. Screw Kit                      | 6. Warranty Card         |

## Accessories

Model No.	Name		Details
GV-Mount504	Wall Mount Bracket		Dimensions: Ø 104.4 x 54.5 mm (Ø 4.11" x 2.15") Weight: 0.36 kg (0.79 lb)
GV-PA191	Power over Ethernet (PoE) Adapter		The GV-PA191 is a Power over Ethernet (PoE) adapter designed to provide power to the IP device through a single Ethernet cable.
GV-POE Switch			The GV-POE Switch is designed to provide power along with network connection for IP devices. The GV-POE Switch is available in various models with different numbers and types of ports.
Power Adapter			Contact our sales representatives for the countries and areas supported.