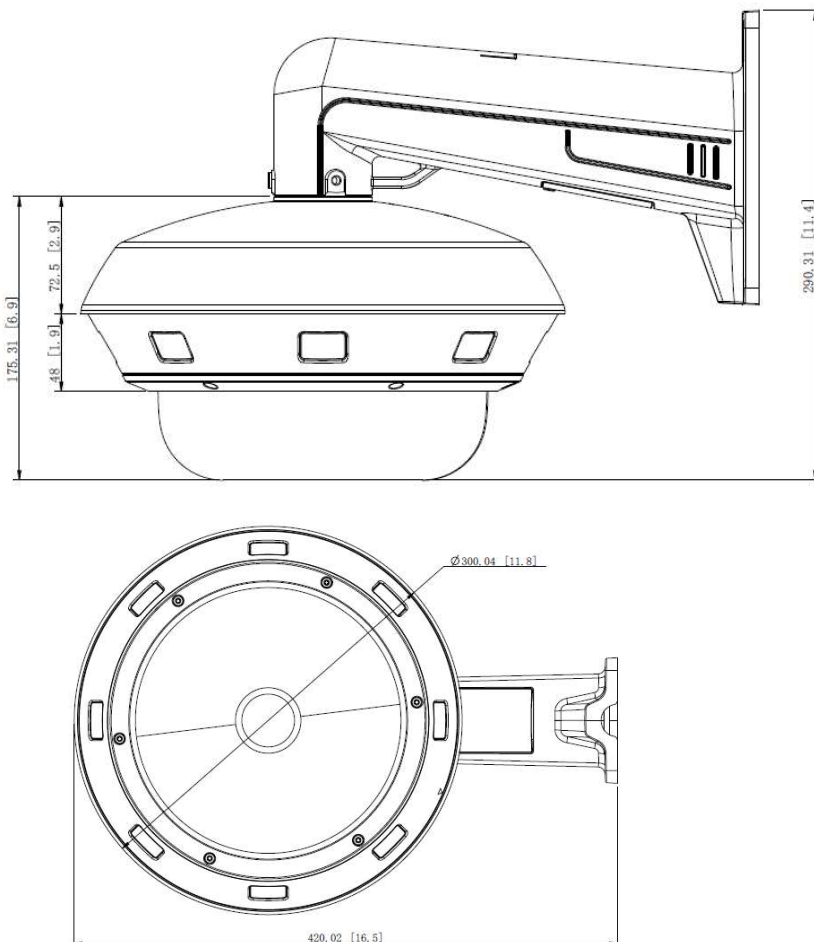


GV-RMS32810 8MP*4 Multi-sensor H.265 Adjustable lenses Super Low Lux WDR Pro IR IP Camera



- 1/1.8" progressive scan CMOS sensor
- Min. illumination at 0.006 lux
- Dual streams from H.265, H.264
- Up to 25 fps at 3840 x 2160
- Smart warm LED
- IR distance up to 30 m (100 ft)
- Wide Dynamic Range Pro (WDR Pro)
- Two-way audio capable
- Built-in micro SD card slot, up to 256 GB
- Ingress protection (IP67)
- Vandal resistance (IK10)
- 4 adjustable lenses in one camera cover up to a 360° field of view
- The intelligent functions of 4 channels can be enabled at the same time
- 11 languages supported
- ONVIF conformant

Dimensions



Specifications

| Video | | |
|------------------------------|-------|---|
| Imaging Device | | 1/1.8" |
| Picture Elements | | 3840 (H) x 2160 (V) |
| Scanning System | | Progressive CMOS |
| Min. Illumination | Color | 0.006 Lux at F1.2 (AGC On) |
| | B/W | 0.002 Lux at F1.2 (AGC On) |
| | IR On | 0 Lux |
| Lens Type | | |
| Lens Type | | Motorized varifocal lens |
| Focal Length | | 2.8~12 mm |
| Maximum Aperture Ratio | | F/1.30 |
| Mount | | Ø 16.7 mm |
| Field of View | | Horizontal: 48 ~112°, Vertical: 27 ~ 58°, Diagonal: 55 ~ 138° |
| Operation | Focus | Auto |
| | Zoom | 4.3x Optical Zoom |
| | Iris | Fixed |
| Operation | | |
| IR and Warm light Quantity | | 8 IR LEDs and 8 warm LEDs |
| Max. IR Distance | | 30 m (100ft) |
| Max. Warm LED Light Distance | | 15 m (50ft) |
| Day and Night | | IR cut filter with auto switch (Day / Night / Image / Schedule) |
| Backlight Compensation | | Off / on (5 zones) |
| S/N Ratio | | >50dB |
| WDR Pro | | Yes |
| Dynamic Range | | Up to 120 dB |
| Digital Noise Reduction | | 3D DNR |
| Motion Detection | | Off / on (8 levels) |
| Privacy Masking | | Off / on (4 zone, rectangle) |
| Gain Control | | Auto |
| White Balance | | Auto / Manual |
| Electronic Shutter Speed | | 1/5 ~ 1/20000 s |
| Flip / Mirror | | Flip / Rotation |
| AI Analytics | | Face Detection, Pedestrian&Vehicle Detection, Line Crossing, Object Detection, Cross Counting, Heat Map, Crowd Density, Queue Length, License Plate Recognition, Intrusion, Region Entrance, Region Exiting |
| Image Setting | | Rotate mode, saturation, brightness, contrast, sharpness, and white balance are adjustable by client software or web browser |
| Audio Compression | | G.711 |
| Hardware Reset | | Yes |

| Network | | |
|-----------------------------------|---------------|---|
| Ethernet | | RJ45 (10/100/1000 BASE-T) |
| Video Compression Format | | Main stream: H.265, H.264 Sub stream: H.265, H.264, MJPEG |
| Resolution | Main Stream | 8 MP: 3840 x 2160 5 MP: 2592 x 1944, 3072 x 1728 4 MP: 2592 x 1520 3 MP: 2304 x 1296 1080P: 1920 x 1080 960P: 1280 x 960 720P: 1280 x 720 |
| | Sub Stream | 720P: 1280 x 720 VGA: 640 x 480 QVGA: 320 x 240 |
| Max. Frame Rate | | 50/60 Hz: 25 fps at 8 MP / 5 MP / 4 MP / 3 MP / 2 MP / 960P / 720P / VGA / QVGA |
| Video Quality Adjustment | | 8 Kbps ~ 16 Mbps |
| Bitrate Control Method | | CBR / VBR |
| Streaming Capability | | Dual streams (Main / Sub) |
| IP | | IPv4, IPv6 |
| Protocol | | TCP/IP, HTTP, DHCP, DNS, DDNS, RTP/RTSP, SMTP, NTP, UPnP, SNMP, HTTPS, FTP, PPPOE |
| Security | | -IP address filter -Complicated password -Authenticated username and password |
| Streaming Method | | Unicast / Multicast |
| Max. User Account | | Max 7 (Admin + 6 user) |
| Application Programming Interface | | ONVIF (Profile S / G / T) |
| Mechanical | | |
| Connectors | Power | ACV24/DCV12/Hi-PoE |
| | Ethernet | Ethernet (10/100/1000 Base-T), RJ45 cable |
| | Alarm | 2 input, 2 output |
| | Audio | 1 input (RCA), 1 output (RCA) |
| | Local Storage | Micro SD card slot, up to 256GB (SD / SDHC / SDXC / UHS-I, Class 10) *UHS-II card type is not supported. |
| General | | |
| Operating Temperature | | -30 ~ +55°C |
| Humidity | | 0 ~ 90% (no condensation) |
| Power Source | | ACV24/DCV12/Hi-PoE |
| Max. Power Consumption | | 43W |
| Material | | Alloy |
| Dimensions | | ∅ 300 mm × 175.31 mm (11.8" x 6.9") |
| Weight | | 4.6kg(10.1lb) |
| Ingress Protection | | IP67, IK10 |
| Regulatory | | CE, FCC, RoHS compliant |

| Web Interface | |
|-------------------------|--|
| Installation Management | Web-based configuration |
| Maintenance | Firmware upgrade through Web Browser or Utility |
| Access from Web Browser | Live View, Change Stream, Divide Screen, Play, Color, PTZ, AI Alarm, Stop, Original Proportions, Stretch, Full Screen, Record, Capture, Digital Zoom, Audio, Voice intercom, Light |
| Language | English, German, Spanish, French, Japanese, Italian, Portuguese, Russian, Turkish, Traditional Chinese, Korean, |
| Application | |
| Software Supported | GV-VMS (V17.X.X or later, V18.4 or later), GV-Edge Recording Manager (V2.X or later), GV-Control Center (V4.X or later), GV-Recording Server (V2.X or later) |
| Smart Device Access | GV-Eye for iOS and Android (V3.X.X or later) |
| Live Viewing | IE10 / 11 Safari V12.1 or later Firefox V52 or later Google chrome V57 or later Edge V79 or later |

Note:

- Specifications are subject to change without notice.

Packing List

- | | |
|--|--------------------------------|
| 1. GV-RMS32810 Main Body (Wall Mount Plate Pre-installed) | 6. Torx Wrench T20 |
| 2. Pendant Mount Plate | 7. Drill Template Paster |
| 3. Wall Mount Bracket | 8. Waterproof Rubber Connector |
| 4. Waterproof Rubber Set | 9. Download Guide |
| 5. Screw Kit | 10. Power Cable |
| | 11. 55V 1.1A POE Power Supply |