

GV-RKV1355 Vandal-Resistant Keypad Reader



GV-RKV1355 is a vandal-resistant keypad reader capable of reading PIN codes and access cards. To successfully resist vandalism, the reader's case is made of zinc alloy, making it suited for high-security locations such as banks and prisons. Featured with Wiegand and RS-485 interfaces, GV-RKV1355 can be integrated to any standard access control systems. Furthermore, the reader complies with IP66 ingress protection, making it perfect for both indoor and outdoor applications.

Key Features

- Vandal-resistant zinc alloy enclosure
- Access control card and PIN code recognition
- Wiegand interface for third-party integration
- RS-485 interface for longer distance installation
- RS-485 / OSDP communication
- 13.56 MHz Mifare for ISO14443A
- Different card formats supported to enhance security: DESFire EV2 and GID (GeoVision Identifier)
- Ingress protection (IP66)
- Vandal resistance (IK08 for metal casing)
- Case sensor detection for tempering alarm

Specifications

Frequency	13.56 MHz Mifare for ISO14443A
Wiegand Interface	Wiegand 26 / 34 bits, distance 30 m (98.43 ft)
RS-485 Interface	RS-485 / OSDP communication, 9,600 bps, distance 600 m (1968.50 ft)
Read Range	3 cm (max)
Vandal-resistant Case	Yes
Keypad	12 keys (0-9, *, #)
Input Port	Case Sensor x 1
LED	Green / Red Bi-color LED x 1 (Status / Power)
Beeper	Buzzer
Color	Black
ID Setting	DIP Switch
Supported ID Formats	UID, DESFire ID, GID (GeoVision Identifier)
Power Source	DC 12V / 1A

Power Consumption	300 mA (max)
Operating Temperature	-20 °C ~ 70°C (-4 °F ~ 158 °F)
Operating Humidity	20~ 80% RH (non-condensing)
Dimensions (L x W x H)	122 x 88 x 28 mm / 4.8 x 3.5 x 1.1 in
Weight	800 g / 1.76 lb
Ingress Protection	IP66
Vandal Resistance	IK08 for metal casing
Certification	CE, FCC, LVD, UKCA

- Note:**
1. RS-485 and network communications only support GeoVision controllers, while Wiegand is compatible with third-party controllers.
 2. Currently only GV-AS1620 and GV-CS1320 controllers support OSDP communication.
 3. The rear panel of GV-RKV1355 has waterproofing rubber rings. Install the reader tightly against the wall to prevent water from entering along the wall. Apply silicone sealant to the sides of the reader if it is mounted on an uneven surface.
 4. Specifications are subject to change without notice.

Compatible Products

- **GV-ASManager:** V5.3.3 or later
- **GV-AS210 / 2110 / 2120, GV-AS810 / 8110 / 8111, GV-AS410 / 4110 / 4111:** V2.41 or later (only Weigand interface supported)
- **GV-AS1620:** V1.05 or later
- **GV-CS1320:** V3.10 or later

Options

Optional accessories can expand the capabilities and versatilities of your GV-Reader. Consult our sales representative for more information.

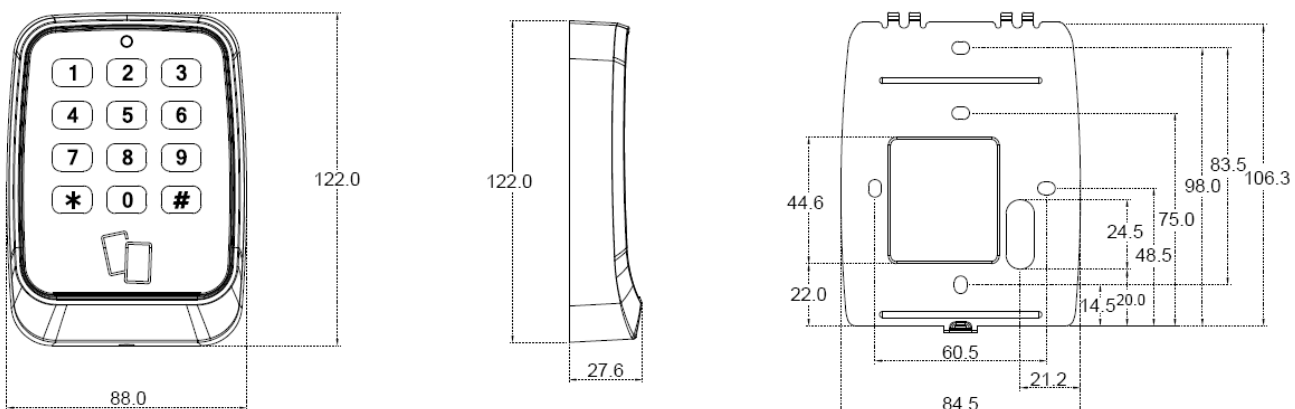
GV-AS ID Card, Key Fob, Sticker
GV-DESFire Card

13.56 MHz cards, key fobs, stickers, and DESFire cards are available.

Packing List

1. GV-RKV1355
2. Plate
3. Hex Key Wrench
4. Screw x 3
5. Quick Start Guide

Dimensions



Scale:mm