

GV-RKD1352 Card Reader



GV-RKD1352 is a card reader with keypad, designed to read PIN codes and access cards. Featured with Wiegand and RS-485 interfaces, GV-RKD1352 can be integrated to any standard access control systems. GV-RKD1352 comes with IP65 rated ingress protection suitable for indoor and outdoor applications.

Key Features

- Card reader with keypad
- Access control card and PIN code recognition
- IP65 ingress protection
- Wiegand interface for third-party integration
- RS-485 interface for longer distance installation
- RS-485 / OSDP communication
- 13.56 MHz Mifare for ISO14443A
- Different card formats supported to enhance security: DESFire EV2 and GID (GeoVision Identifier)
- Case sensor detection for tempering alarm

Specifications

Frequency	13.56 MHz Mifare for ISO14443A
Wiegand Interface	Wiegand 26 / 34 bits, distance 30 m (98.43 ft)
RS-485 Interface	9,600 bps, distance 600 m (1968.50 ft), RS-485 / OSDP communication
Read Range	3 ~ 5 cm (max)
Keypad	12 keys (0-9, *, #)
Input Port	Case Sensor
LED	Red, Green LED
Beeper	Buzzer
Color	Black
Supported ID Formats	UID, DESFire ID, GID (GeoVision Identifier)
Power Source	DC 12V / 1A
Power Consumption	200 mA (max)
Operating Temperature	-10 °C ~ 70°C (14 °F ~ 158 °F)
Operating Humidity	20~ 80% RH (non-condensing)
Dimensions (L x W x H)	120 x 77 x 22 mm / 4.7 x 3 x 0.87 in

Weight	260 g / 0.57 lb
Ingress Protection	IP65
Certification	CE, FCC, LVD

- Note:**
- RS-485 and network communications only support GeoVision controllers, while Wiegand is compatible with third-party controllers.
 - Currently only GV-AS1620 and GV-CS1320 controllers support OSDP communication.
 - It is recommended to apply silicone sealant to the sides of the reader to prevent water from entering along the wall.
 - Specifications are subject to change without notice.

Compatible Products

- GV-ASManager:** V5.3.3 or later
- GV-AS210 / 2110 / 2120, GV-AS810 / 8110 / 8111, GV-AS410 / 4110 / 4111:** V2.41 or later (only Weigand interface supported)
- GV-AS1620:** V1.05 or later
- GV-CS1320:** V3.10 or later

Options

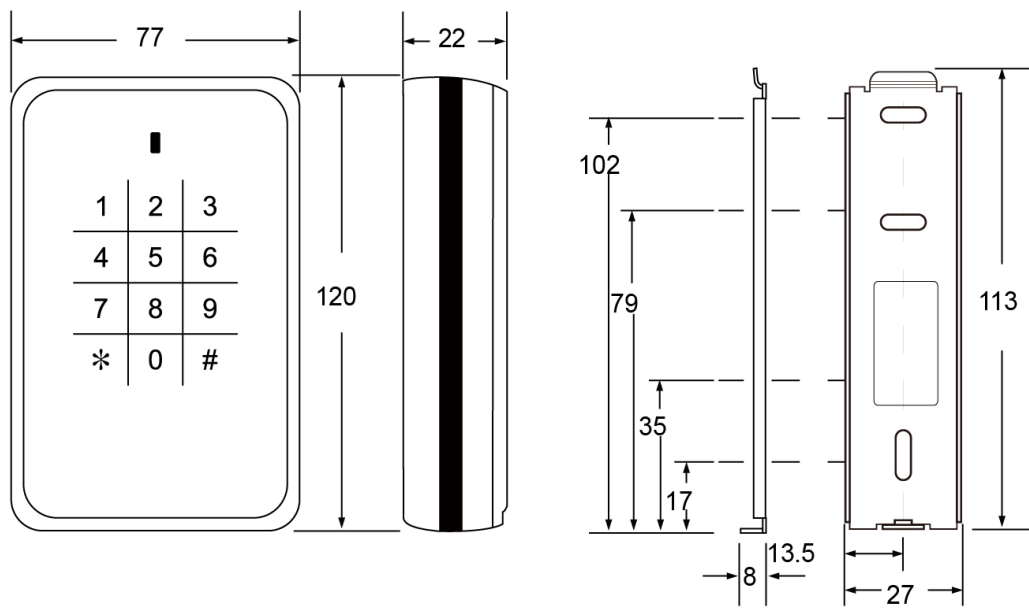
Optional accessories can expand the capabilities and versatilities of your GV-Reader. Consult our sales representative for more information.

GV-AS ID Card & GV-AS IDKey Fob & GV-DESFire Card	13.56 MHz cards / key fobs, DESFire cards are available.
GV-WTR	GV-WTR is a Wiegand and RS-485 converter. It enables 3rd party readers and certain GV readers (e.g. GV-RU9003, GV-QR1352 / DES1352) to connect to RS-485 GV controllers, as well as allowing GV-AI FR (face recognition software) and GV-CR1320 (RS-485 reader) to connect to 3rd-party Wiegand controllers.

Packing List

- GV-RKD1352
- Plate
- Accessory Pack
- Quick Start Guide

Dimensions



Scale:mm