

GV-R1354 Mini Reader



Introduction

The mini card reader GV-R1354, with only 8 cm tall, can be integrated into any standard access control systems through its Wiegand and RS-485 interfaces. Mini but complete, GV-R1354 has weather-sealed and IP56-compliant housing, perfect for both indoor and outdoor applications.

Features

- Access control card recognition
- Wiegand interface for third-party integration
- RS-485 interface for longer distance installation
- 13.56 MHz Mifare for ISO14443A
- Different card formats available to enhance security: DESFire EV2 and GeoVision access cards with GID (GeoVision Identifier)
- IP56 ingress protection

Specifications

Frequency	13.56 MHz Mifare for ISO14443A
Wiegand Interface	Wiegand 26 / 34 bits, distance 30 m (98.43 ft)
RS-485 Interface	RS-485, 9,600 bps, distance 600 m (1968.50 ft)
Read Range	3 ~ 5 cm (max)
LED	Green / Red Bi-color LED x 1 (Status / Power)
Beeper	Buzzer
Color	Black
ID Setting	DIP Switch
Supported ID Formats	UID, DESFire ID, GID (GeoVision Identifier)
Power Source	DC 9 ~ 24V
Power Consumption	100 mA (max)
Operating Temperature	-20 °C ~ 65°C (-4 °F ~ 149 °F)
Operating Humidity	20~ 80% RH (non-condensing)
Dimensions (L x W x H)	81 x 43 x 18 mm / 3.2 x 1.7 x 0.7 in
Weight	40 g / 0.09 lb
Ingress Protection	IP56
Certification	CE, FCC, LVD, UKCA

Note:

1. RS-485 interface only supports GeoVision controllers, while Wiegand interface supports both GeoVision and 3rd party controllers (Wiegand 26 / 34 bits).
2. Specifications are subject to change without notice.

Packing List

1. GV-R1354
2. Data Cable

Options

- GV-AS ID Card, Key Fob, Sticker
- GV-DESFire Card

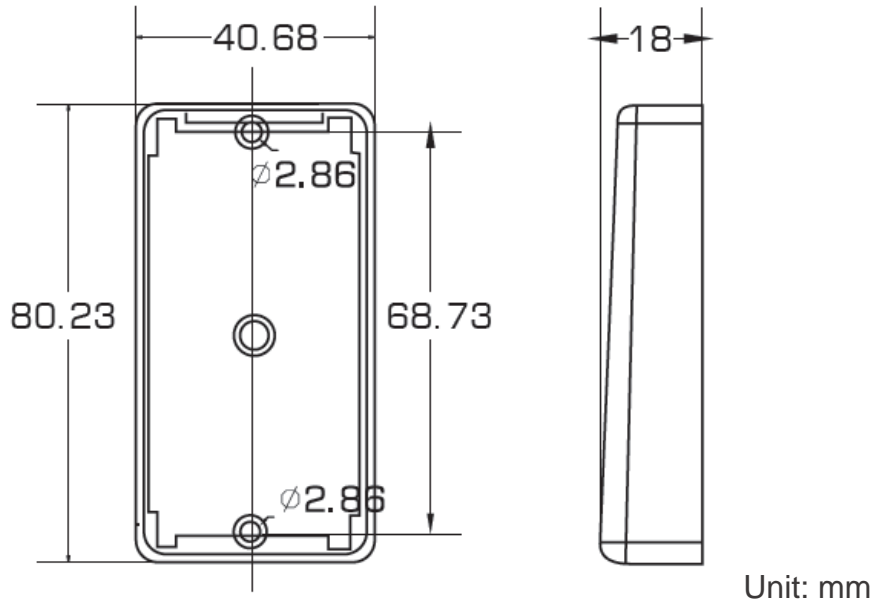
13.56 MHz cards, key fobs, stickers and DESFire cards are available.

Compatible Products

- **GV-ASManager:** V5.3.3 or later
- **GV-AS Controllers:** GV-AS210 / 2110 / 2120, GV-AS810 / 8110 / 8111, GV-AS410 / 4110 / 4111, GV-AS1620

Note: To connect the reader to GV-AS Controllers *via RS-485*, it is required to use the following products and versions: GV-AS210 / 2110 / 2120 / 410 / 4110 / 4111 V2.40 (or later) and GV-AS1620 V1.04 (or later).

Dimensions



Unit: mm