

GV-QSD5730-Outdoor (33X) 5MP H.265 Low Lux WDR Pro IP Speed Dome



- 1/2.8" progressive scan low lux CMOS sensor
- Quad streams from H.265, H.264 or MJPEG
- Up to 30 fps at 2592 x 1944
- Min. illumination at 0.002 lux
- 33x optical zoom and 10x digital zoom
- Day and night function (with removable IR-cut filter)
- Four sensor inputs and two alarm outputs
- Wide Dynamic Range Pro (WDR Pro)
- Temperature tolerance (-40°C ~ 50°C / -40°F ~ 122°F)
- Support for TV-out
- Two-way audio
- Built-in SD card slot (SDHC/SDXC, Class 10) for local storage
- Ingress protection (IP66)
- Vandal resistance (IK10 for housing)
- PoE+ (802.3at) / AC 24V / DC 30V
- Pan 360° endlessly
- Tilt from -10° to 100°
- Pan and tilt speed of up to 400°/sec and 300°/sec respectively
- PTZ movement (Preset, Cruise, Auto Pan, Sequence)
- PTZ auto tracking
- Electrical Image Stabilizer (EIS)
- Servo Feedback, returning the camera view to the previous position upon encountering external forces
- 3D noise reduction
- Privacy Mask
- 12 languages on Web interface
- ONVIF (Profile G, S, T) conformant

***Optional GV-Mount (GV-Mount104-1 / 105-1 / 210-1 / 208-4) is required for installing GV-QSD5730-Outdoor.**

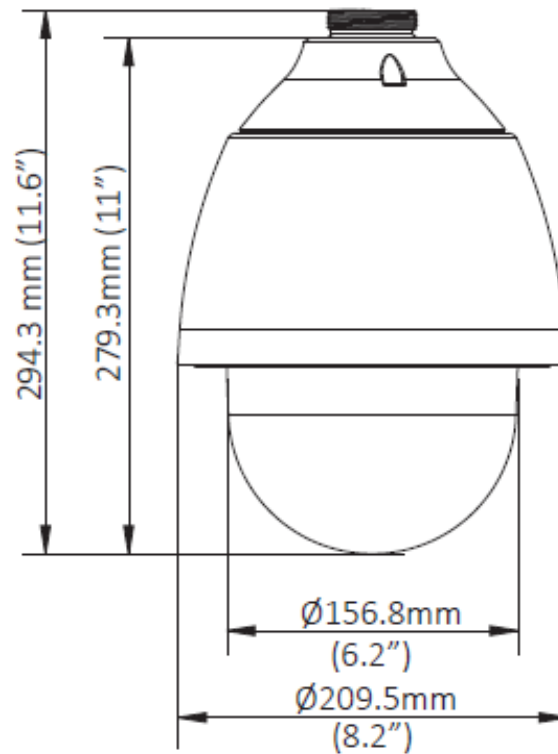
Introduction

The GV-IP Speed Dome (GV-QSD5730-Outdoor) is an outdoor network PTZ camera that offers 33x optical zoom and 10x digital zoom, capable of showing smooth live view with great details. This camera can simultaneously deliver four video streams in resolutions up to 2592 x 1944 at 30 fps. The GV-QSD5730-Outdoor supports H.265 video codec to achieve better compression ratio while maintaining high quality pictures at reduced network bandwidths.

Wide surveillance coverage is made possible with 360° endless panning and -10°~100° tilting capacity. PTZ functions such as Preset, Auto Pan, and Patrol can be programmed and activated by schedule. The GV-QSD5730-Outdoor supports pan/tilt speeds ranging from a fast patrol of 400° and 300° per second to a slow ramble of 0.1° per second with 0.1° pan accuracy for fast and accurate tracking ability.

GV-QSD5730-Outdoor also features Servo Feedback and Electronic Image Stabilizer (EIS) technology. The Servo Feedback technology ensures the camera view returns to the previous position when encountering external force (e.g. human interference) or environmental vibration. EIS technology can effectively produce stable images by actively sensing directional movement of the images and compensating accordingly; this is particularly useful for cameras installed at places where environmental movement (e.g. strong wind, the passing-by heavy vehicles) is constant, and when high optical zoom is executed.

Dimensions



Specifications

| Camera | | |
|----------------------|--------------------------------------|-----------|
| Image Sensor | 1/2.8" progressive scan low lux CMOS | |
| Optical Zoom | 33x | |
| Digital Zoom | 10x | |
| Picture Elements | 2592 (H) x 1944 (V) | |
| Minimum Illumination | Color | 0.02 Lux |
| | B/W | 0.002 Lux |
| Shutter Speed | Auto / Manual (1 ~ 1/10000 sec) | |
| White Balance | Auto / Manual | |
| Iris Control | Auto / Manual | |
| WDR Pro | Yes | |

| Optical Lens | | |
|------------------|------------------------------------|---------------|
| Megapixel | Yes | |
| Day / Night | Yes (with removable IR-cut filter) | |
| Focal Length | 4.6 ~ 152 mm | |
| Maximum Aperture | F/1.6 | |
| Horizontal FOV | 55.4° ~ 1.9° | |
| Operation | Focus | Auto / Manual |
| | Zoom | 33x |
| | Iris | Auto / Manual |

| Video | | |
|-------------------|---|---|
| Video Compression | H.265, H.264, MJPEG | |
| Video Streaming | Quad streams from H.265, H.264 or MJPEG | |
| Video Resolution | Main Stream | 2592 x 1944 (Default), 2560 x 1440, 1920 x 1080, 1280 x 1024, 1280 x 720, 800 x 600 |
| | Sub Stream | 1280 x 720, 1024 x 768, 800 x 600, 720 x 480, 640 x 480 (Default), 352 x 240, 320 x 240 |
| | Third Stream (Closed by Default) | 1280 x 720, 1024 x 768, 800 x 600, 720 x 480, 640 x 480, 352 x 240, 320 x 240 |
| | Quad Stream (Closed by Default) | 1280 x 720, 1024 x 768, 800 x 600, 720 x 480, 640 x 480, 352 x 240, 320 x 240 |

| | | |
|-------------------------------------|---|---|
| Frame Rate | 30 fps at 2592 x 1944 (60/50 Hz) *The frame rate and performance may vary depending on the number of connections and data bitrates (different scenes). | |
| Image Setting | Brightness, Contrast, Saturation, Sharpness, Flicker-less, Image Orientation (Flip, Mirror, 0°, 90°, 180°, 270°-including Corridor format) | |
| Audio | | |
| Audio Compression | G.711 | |
| Audio Support | Two-way audio (external microphone and speaker required) | |
| Network | | |
| Interface | 10/100 Ethernet | |
| Protocol | ARP, PPPoE, IPv4/v6, ICMP, IGMP, QoS, TCP, UDP, DHCP, UPnP, SNMP, SMTP, RTP, RTSP, HTTP, HTTPS, FTP, NTP, DDNS, ONVIF (Profile G, S, T) | |
| Security Feature | <ul style="list-style-type: none"> - No default password - 802.1x authentication - HTTPS with SSL certificate stored within the camera | |
| Mechanical | | |
| Connectors | Power | Terminal Block (AC 24V), PoE+ (802.3at) |
| | Ethernet | 10/100 Base-T, RJ-45 connector |
| | Audio | 1 in (Audio In Terminal Block); 1 out (Audio Out Terminal Block) *The Audio In port only supports microphones with power supply. |
| | Local Storage | SD card slot (SDHC / SDXC, Class 10) |
| | TV-Out | BNC connector: PAL (720 x 576 at 30 fps), NTSC (720 x 480 at 25 fps) |
| | Digital I/O | Terminal Block |
| | RS-485 | Terminal Block (DSCP, Pelco D, Pelco P) |
| Operation | | |
| Pan Travel | 360° endless | |
| Tilt Travel | -10° ~ 100° | |
| Manual Speed | Pan | 0.1° ~ 90°/s |
| | Tilt | 0.1° ~ 55°/s |
| Preset Speed | Pan | 400°/s |
| | Tilt | 300°/s |
| Presets | Max. Number | 256 |
| | Accuracy | 0.1° |
| Sequence | Max. Number | 8 |
| | Max. Presets Allowed | 64 |
| Auto Pan | 4 | |
| Automatic Function | Preset, Sequence, Auto Pan, Cruise | |
| Mechanical Flip | Yes | |
| Digital Slow Shutter | On / Off | |
| Motion Detection | On / Off | |
| Wide Dynamic Range | On / Off | |
| Day/Night: Mechanical IR Cut Filter | On / Off | |
| Alarm | Digital I/O | 4 Inputs, dry contact, NO / NC |
| | | 2 Relay Outputs (120mA 400V DC / 120mA 250V AC) |
| General | | |
| Operating Temperature | -40°C ~ 50°C (-40°F ~ 122°F) | |
| Humidity | 10% ~ 90% (non-condensing) | |
| Dimensions | Ø 209.5 x 279.3 mm (8.2" x 11") | |
| Weight | 2.9 kg (6.39 lb) | |
| Power Source | 30V DC / 24V AC / PoE+ (802.3at) | |
| Power Consumption | DC30V, 23.01W Max. AC24V, 24.20W Max. | |
| Ingress Protection | IP66 | |
| Vandal Resistant | IK10 for housing | |
| Regulatory | CE, FCC, RoHS compliant | |
| Power over Ethernet | | |
| PoE Standard | PoE+ IEEE802.3at (30W) / PD | |
| PoE Power Supply Type | Mid-span | |

| | |
|-------------------------|---|
| PoE Power Output | 55V DC, 1.1A (60W Max.) |
| Web Interface | |
| Installation Management | Web-based configuration |
| Maintenance | Firmware upgrade through Web Browser or Utility |
| Language | Czech, English, French, German, Hungarian, Italian, Japanese, Portuguese, Russian, Spanish, Traditional Chinese, Simplified Chinese |
| Applications | |
| Software Supported | GV-VMS (V17.3.0 / V18.1.1), GV-DVR / NVR (V8.8), GV-Control Center (V3.7.0), GV-Recording Server / Video Gateway (V1.4.2), GV-Edge Recording Manager Win version (V1.4.0), GV-Redundant / Failover Server (V1.1.0.0) *It is required to apply patch files to all the supported software. |
| Smart Device Access | GV-Eye for iOS and Android |
| Live Viewing | Internet Explorer, Non-IE browser (Edge, Chrome, Firefox, Safari), Mobile App *Edge, Chrome, and Firefox only support displaying live view with MJPEG and H.264. *Safari only supports displaying live view with MJPEG. |

Note:

- Do not use clothes or any ordinary material to clean the camera cover since they may result in scratches.
- Mind the following when using an inserted memory card for recording:
 - Recorded data on the memory card can be damaged or lost if the data are accessed while the camera is under physical shock, power interruption, memory card detachment or when the memory card reaches the end of its lifespan. No guarantee is provided for such causes.
 - The stored data can be lost if the memory card is not accessed for a long period of time. Back up your data periodically if you seldom access the memory card.
 - Memory cards are expendable and their durability varies according to the conditions of the installed site and how they are used. Back up your data regularly and replace the memory card annually.
 - To avoid power outage, it is highly suggested to apply a battery backup (UPS).
 - For better performance, it is highly suggested to use SD card of MLC NAND flash, Class 10.
 - Replace the memory card when its read/write speed is lower than 6 MB/s or when the memory card is frequently undetected by the camera.
- Specifications are subject to change without notice.

Packing List

- | | |
|--|--|
| 1. GV-QSD5730-Outdoor | 4. Pendant Cap |
| 2. M4 Screw with Rubber | 5. 3-Pin Power Terminal Block (AC 24V) |
| 3. 14-Pin Alarm / Audio I/O Terminal Block | 6. Download Guide |

Note: Power adapters can be purchased upon request.

Accessories

| Model No. | Name | | Details |
|---------------|------------------------------------|---|--|
| GV-Mount104-1 | Straight Tube Kit |  | Dimensions: 219 x 125 x 332 mm (8.6" x 4.9" x 13.1") Weight: 1.8 kg (3.97 lb) *non-waterproof |
| GV-Mount105-1 | Straight Tube and Junction Box Kit |  | Dimensions: 256 x 256 x 297 mm (10.1" x 10.1" x 11.7") Weight: 6.2 kg (13.67 lb) |
| GV-Mount210-1 | Wall Pendant Mount |  | Dimensions: 200 x 140 x 249 mm (7.9" x 5.5" x 9.80") Weight: 1.1 kg (2.43 lb) |

| | | | |
|----------------|--|--|---|
| GV-Mount208-4 | Swan Neck Mount |  | Dimensions: 1043 x 519 x 256 mm (41.06 x 20.43 x 10.08") Weight: 10.6 kg (23.37 lb) |
| GV-Mount300-1 | Convex Corner Adapter Kit |  | Dimensions: 238.6 x 395.2 x 210 mm (9.4" x 15.5" x 8.2") Weight: 4.27 kg (9.41 lb) |
| GV-Mount310-1 | Concave Corner Adapter Kit |  | Dimensions: 111.2 x 369.9 x 210 mm (4.37" x 14.5" x 8.2") Weight: 2.96 kg (6.53 lb) |
| GV-Mount400-1 | Pole Mount Bracket Kit (Ø 4" ~ 6") |  | Bracket: 68.4 x 240 x 163 mm (2.69" x 9.44" x 6.41") Weight: 1.70 kg (3.75 lb) Steel Strap Diameter: Ø 4" ~ 6" |
| GV-Mount410-1 | Pole Mount Bracket Kit (Ø 6" ~ 7.5") |  | Bracket: 68.4 x 240 x 163 mm (2.69" x 9.44" x 6.41") Weight: 1.70 kg (3.75 lb) Steel Strap Diameter: Ø 6" ~ 7.5" |
| GV-Mount501 | Convex Corner Box Mount |  | Dimensions: 136 x 256 x 256 mm (5.4 x 10.1 x 10.1") Weight: 4.8 kg (10.6 lb) |
| GV-Mount702 | Extension Tube |  | Dimensions: Ø 5.4 x 10 or 20 or 30 or 50 cm (Ø 2.1" x 3.9" or 7.9" or 11.8" or 19.7") Weight: 180 g or 390 g or 550 g or 800 g (0.4 lb or 0.86 lb or 1.21 lb or 1.76 lb) |
| GV-PoE Switch | GV-PoE Switch is designed to provide power along with network connection for IP devices. The GV-PoE Switch is available in various models with different numbers and types of ports. | | |
| GV-PoE Adapter | GV-PoE Adapter is designed to provide power to the IP device through a single Ethernet cable. Adopting the PoE adapter enables you to mount an IP device anywhere in a building where power outlets are not available. | | |
| Power Adapter | Contact our sales representatives for the countries and areas supported. | | |