

GV-G Series IP Camera Mount

Installation Guide

- GV-Mount112 / 115
- GV-Mount211-4 / 211-6 / 211-8 / 211-9 / 211-11 / 211-13 / 211-14 / 211-15
- GV-Mount314
- GV-Mount470 / 481
- GV-Mount506 / 506-1
- GV-Mount507 / 507-1
- GV-Mount509
- GV-Mount510 / 512 / 515 / 517
- GV-Mount925 / 927

Before attempting to connect or operate this product,
please read these instructions carefully and save this manual for future use.



© 2026 GeoVision, Inc. All rights reserved.

Under the copyright laws, this manual may not be copied, in whole or in part, without the written consent of GeoVision.

Every effort has been made to ensure that the information in this manual is accurate. GeoVision, Inc. makes no expressed or implied warranty of any kind and assumes no responsibility for errors or omissions. No liability is assumed for incidental or consequential damages arising from the use of the information or products contained herein. Features and specifications are subject to change without notice.

GeoVision, Inc.
9F, No. 246, Sec. 1, Neihu Rd.,
Neihu District, Taipei, Taiwan
Tel: +886-2-8797-8377
Fax: +886-2-8797-8335
<http://www.geovision.com.tw>

Trademarks used in this manual: *GeoVision*, the *GeoVision* logo and *GV* series products are trademarks of GeoVision, Inc. *Windows* is the registered trademark of Microsoft Corporation.

March 2026

Scan the following QR codes for product warranty and technical support policy:



[Warranty]



[Technical Support Policy]

Contents

Preface.....	1
1. Pendant Mounting with GV-Mount112 / 115.....	2
2. Wall Bracket Mounting with GV-Mount211-4	6
3. Wall Bracket Mounting with GV-Mount211-6 / 211-8.....	10
4. Wall Bracket Mounting with GV-Mount211-9.....	14
5. Wall Bracket Mounting with GV-Mount211-11	18
6. Wall Bracket Mounting with GV-Mount211-13 / 211-14 / 211-15	22
7. Corner Bracket Mounting with Wall Mounting Using GV-Mount314 and GV-Mount211-14 / 211-15	27
8. Pole Bracket Mounting with GV-Mount470 / 481	31
8-1 GV-Mount470	31
8-2 GV-Mount481	33
8-3 Pole Bracket Mounting of Bullet Camera with Junction Box.....	34
8-4 Pole Bracket Mounting of Dome Camera with Wall Mount Bracket.....	35
9. Junction Box Mounting with GV-Mount506 / 506-1	37
10. Junction Box Mounting with GV-Mount507	41
11. Junction Box Mounting with GV-Mount507-1 / 509.....	44
12. Junction Box Mounting with GV-Mount510.....	48
13. Junction Box Mounting with GV-Mount512.....	50
14. Junction Box Mounting with GV-Mount515 / 517	52
15. In-Ceiling Bracket Mounting with GV-Mount925	54
16. Power Box Bracket Mounting with GV-Mount927	58

Preface

Welcome to the *GV-G Series IP Camera Mount Installation Guide*.

This Installation Guide is designed for the following models:

Model	Model Number
Bullet IP Camera	GV-CBL2800 / CBL4811
	GV-GBL4900 / GBL4911 / GBL12811
	GV-GBLF2802 / GBLF4802 / GBLF4813
	GV-GBLN4800
Mini Fixed Rugged IP Dome	GV-GDR2801 / GDR4900
	GV-GDRF4800
	GV-GDRN4800
IR Eyeball Dome	GV-CEB2800 / CEB4811
	GV-GEB4900
	GV-GEBF2802 / GEBF4802 / GEBF4911
	GV-GEBN4800
Fisheye Rugged IP Camera	GV-GFER6900 / GFER12800
Panoramic IP Camera	GV-GBLP8900 / GEBP8900
PTZ Camera	GV-GPTZ4810
Vandal Proof IP Dome	GV-GVD4810 / GVD4910
Thermal Camera	GV-TMEB5800
3D People Counter	GV-3D People Counter V3

1. Pendant Mounting with GV-Mount112 / 115



Packing List

GV-Mount112

1. GV-Mount112 Pendant Mount	2. Screw (M4 x 10 mm) x 3
3. Screw (M4 x 25 mm) x 3	4. Waterproof Ring x 3
5. Plastic Anchor (6 x 29 mm) x 3	6. Drill Template Paster

GV-Mount115

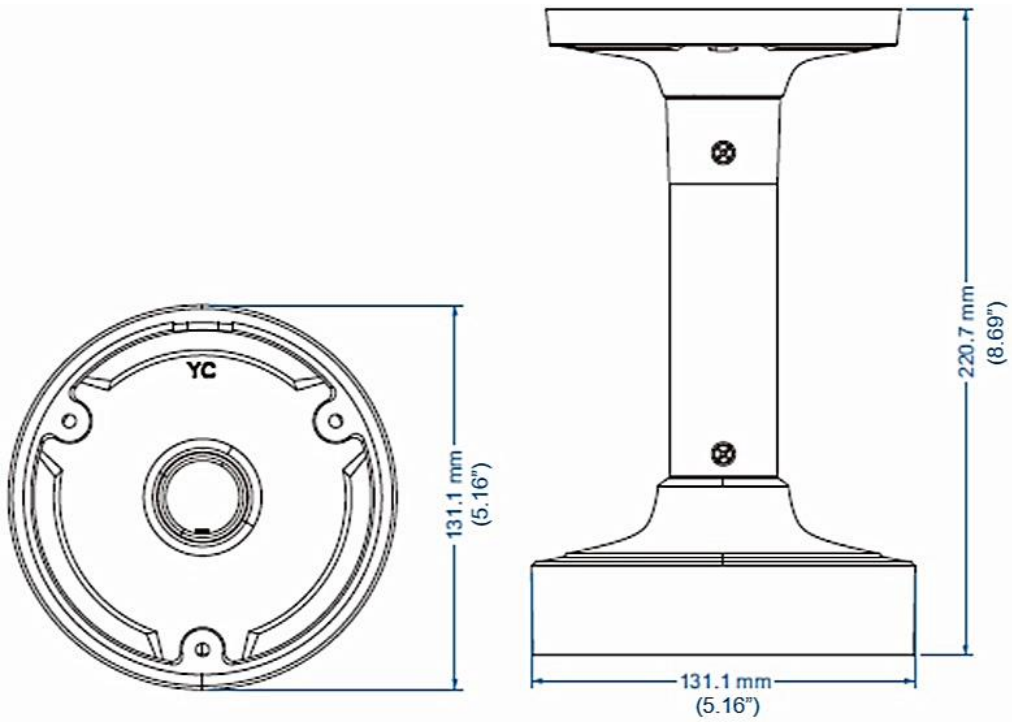
1. GV-Mount115 Pendant Mount	2. Self-Tapping Screw (M6.5 x 38 mm) x 4
3. Phillips Pan Head Screw (M3 x 8 mm) x 4	4. Round Head Screw (M4 x 6 mm) x 5
5. Plastic Anchor (8 x 40 mm) x 4	6. Drill Template Paster

Applicable Models

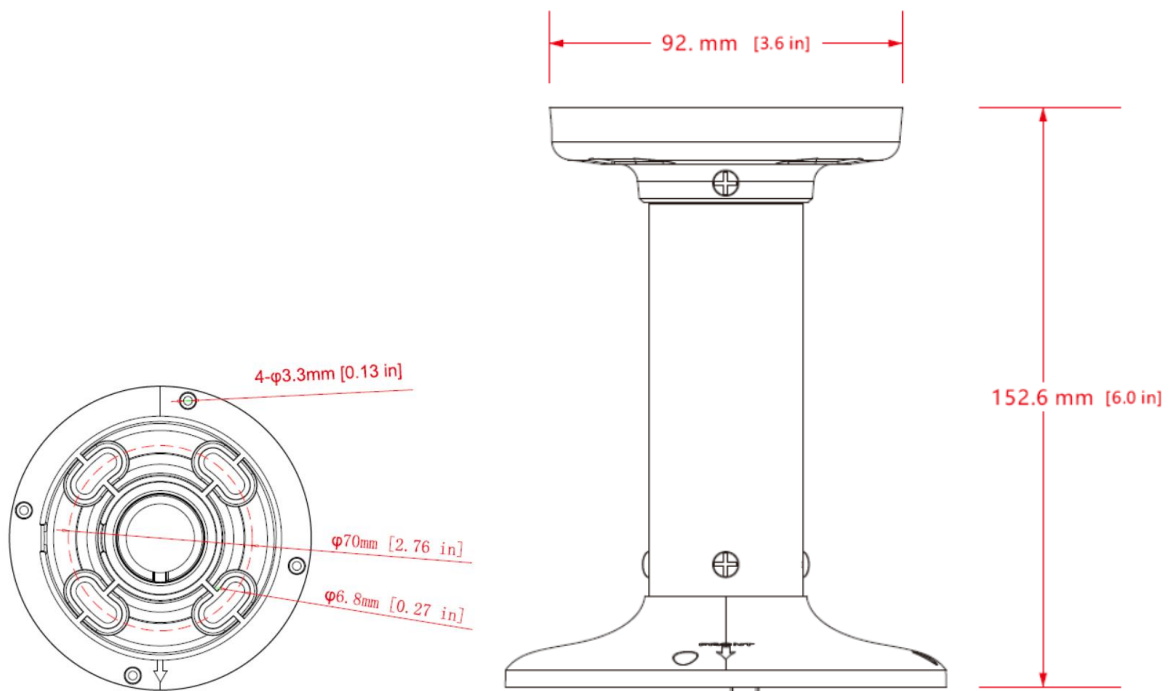
- **GV-Mount112:** GV-GFER6900 / GFER12800
- **GV-Mount115:** GV-GPTZ4810

Dimensions

GV-Mount112



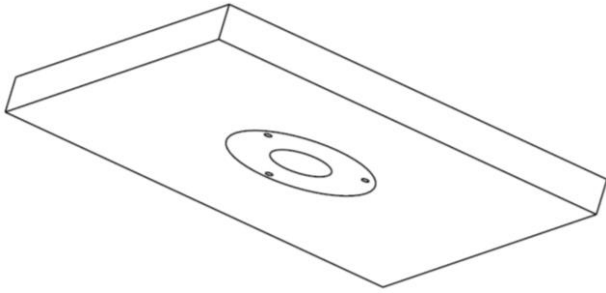
GV-Mount115



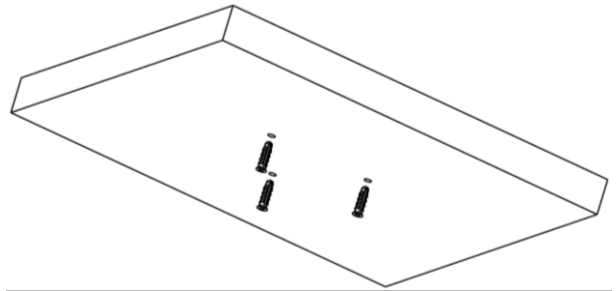
Installation

The steps below show an example installation of **GV-GFER6900** using **GV-Mount112**.

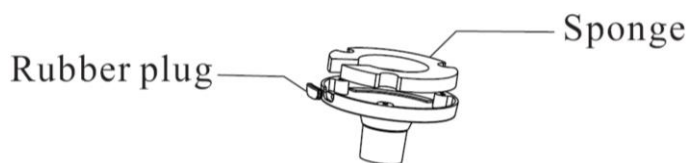
1. Attach the drill template to the place where you want to fix the bracket. Then drill the screw holes according to the drill template.



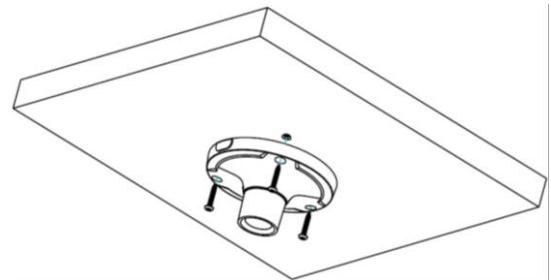
2. Tear off the drill template and insert the plastic plugs.



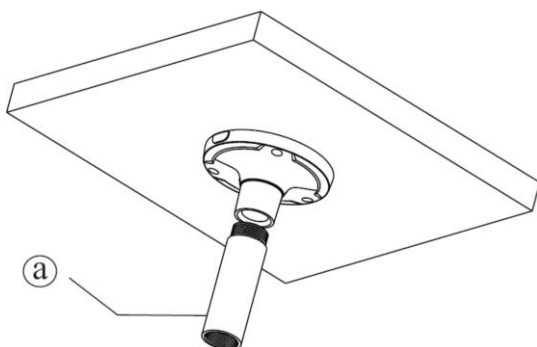
3. Install the sponge and the rubber plug respectively to the mounting base.



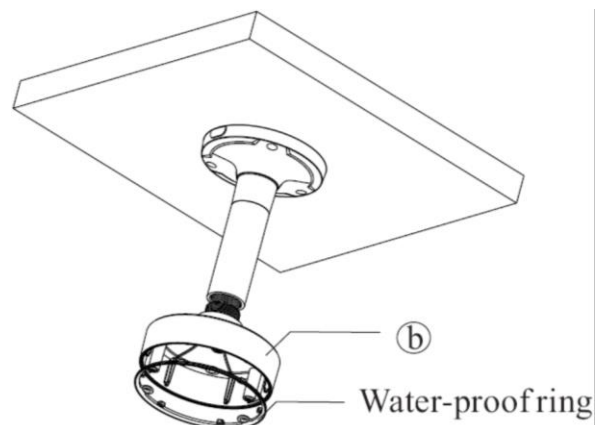
4. Fix the mounting base to the wall with the screws provided.



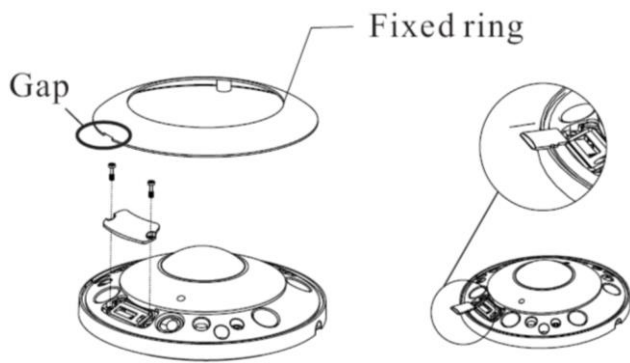
5. Install ① to the mounting base according to the screw thread.



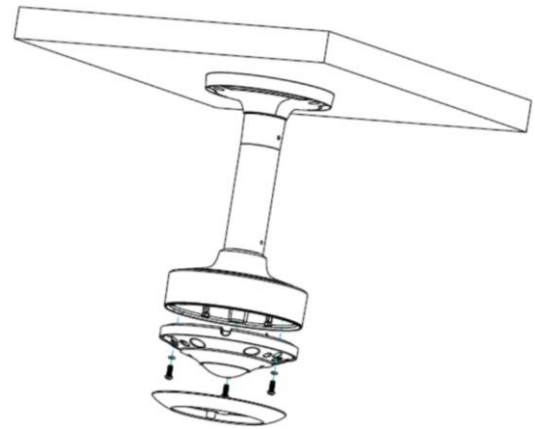
6. Mount the water-proof ring to ①, and then screw ② with the water-proof ring into ①.



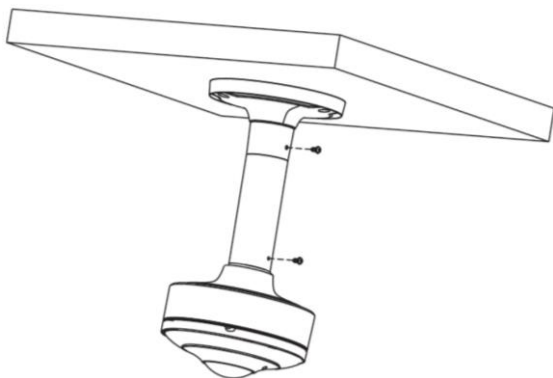
7. Remove the fixed ring from the gap of the camera and then open the cover of the microSD card slot. After that, insert a microSD card.



8. Install the cover of microSD card slot and then fasten the camera onto the bracket with screws.



9. Install the fixed ring back to the camera and then fix the bracket with screws.



2. Wall Bracket Mounting with GV-Mount211-4



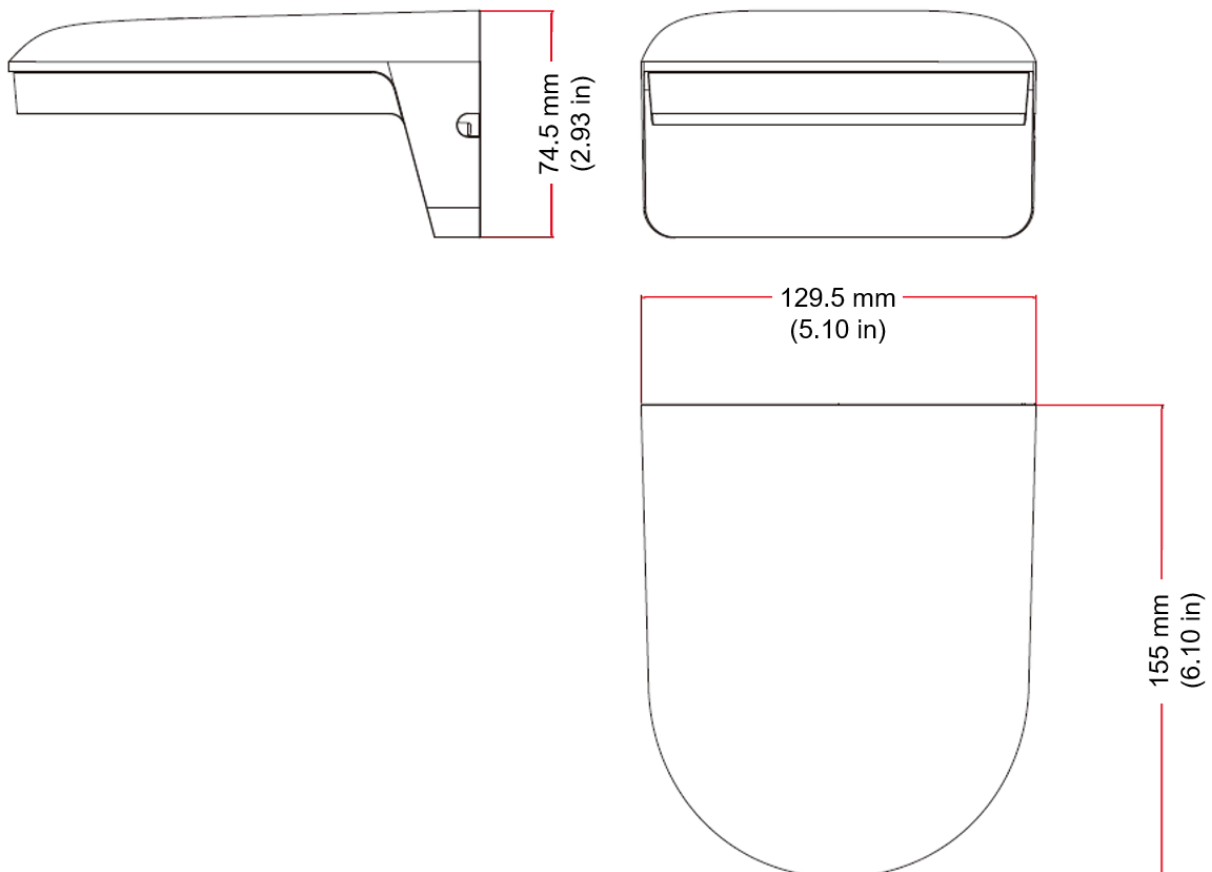
Packing List

1. GV-Mount211-4 Wall Mount Bracket	2. Short Screw (M4 x 10 mm) x 4
3. Long Screw (M4 x 25 mm) x 4	4. Colloidal Particle x 4
5. Hex Key x 1	6. Drill Template Paster

Applicable Models

- GV-CEB4811 / GDR2801 / GDRN4800 / GDR4900 / GDRF4800 / GEB4900 / GEBF2802 / GEBF4802 / GEBF4911 / GEBN4800 / GEBP8900 / TMEB5800

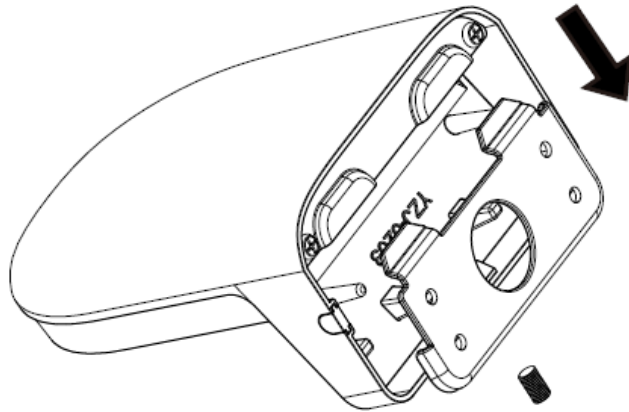
Dimensions



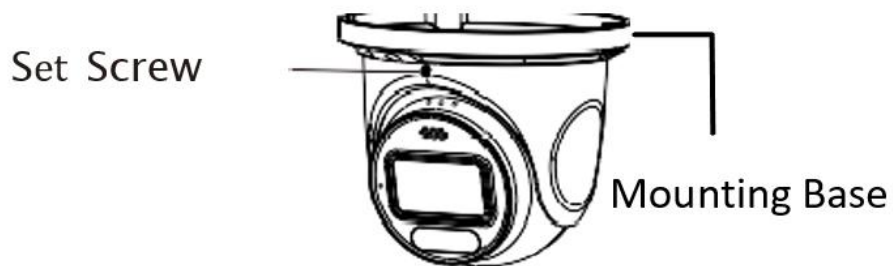
Installation

Before installation, make sure that the wall is strong enough to withstand 3 times the weight of the brackets and the camera. The steps below take straight cable outlet from the wall for example.

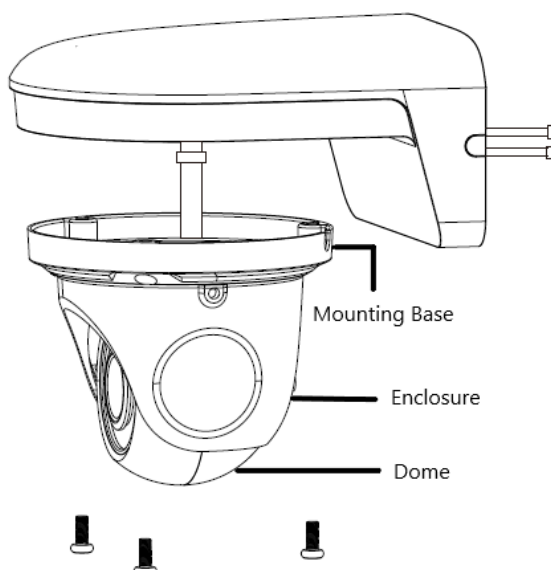
1. Unscrew and remove the mounting base of GV-Mount211-4.



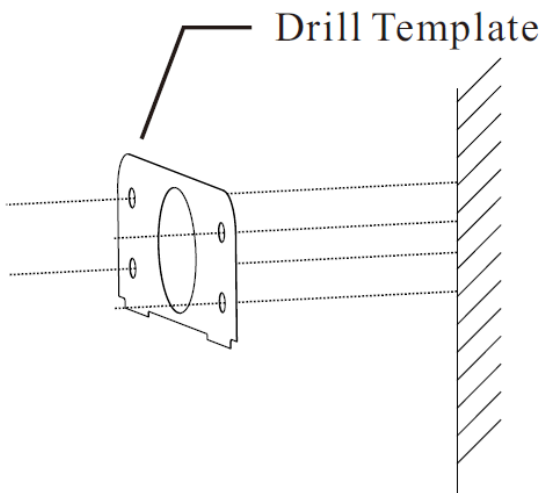
2. Loosen the set screw and detach the mounting base of the camera.



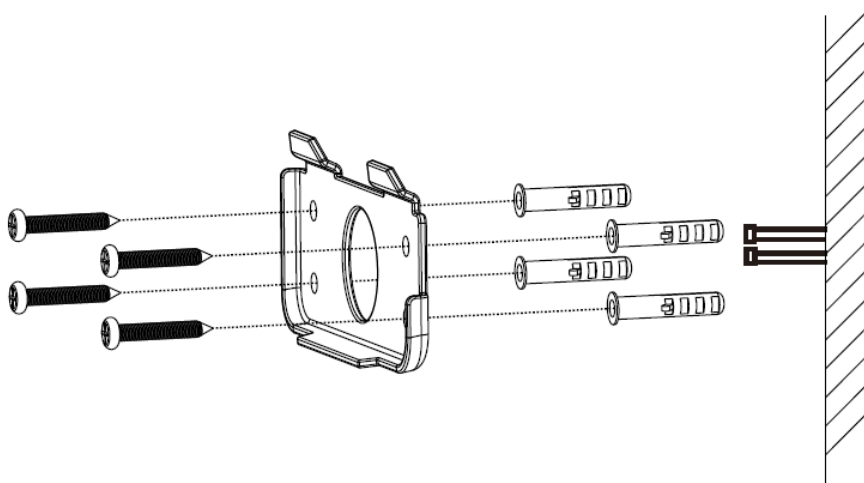
3. Secure the camera's mounting base to GV-Mount211-4, and install the dome and enclosure to the camera's mounting base.



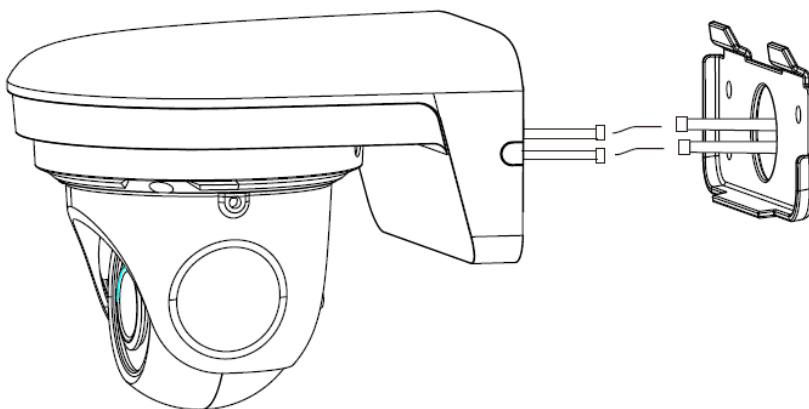
4. Drill the screw holes on the wall according to the drill template.



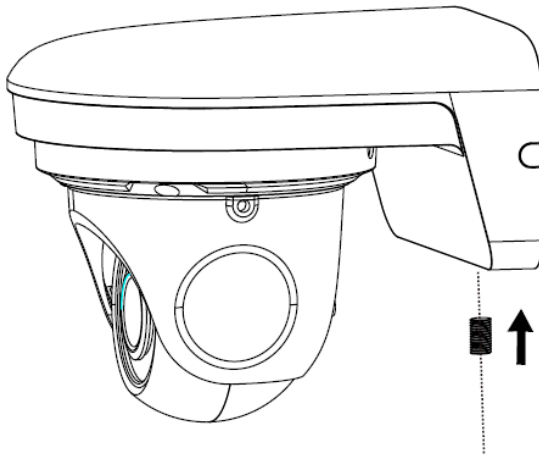
5. Secure the mounting base of GV-Mount211-4 to the wall.



6. Route the cables through the cable hole and connect the cables.



7. Fix GV-Mount211-4 to its mounting base on the wall.



3. Wall Bracket Mounting with GV-Mount211-6 / 211-8



Packing List

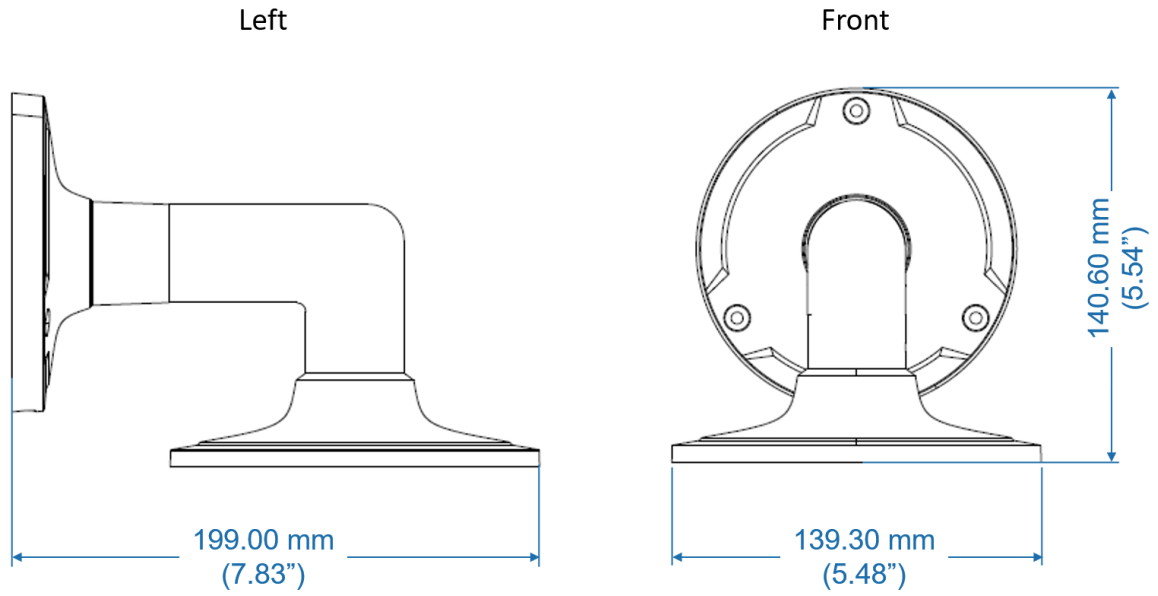
1. GV-Mount211-6 / 211-8 Wall Mount Bracket	2. Screw (M3 x 6 mm) x 2
3. Screw (M6 x 12 mm) x 4	4. Screw (M4 x 25 mm) x 3
5. Waterproof Ring x 4	6. Plastic Anchor (6 x 29 mm) x 3
7. Drill Template Paster	

Applicable Models

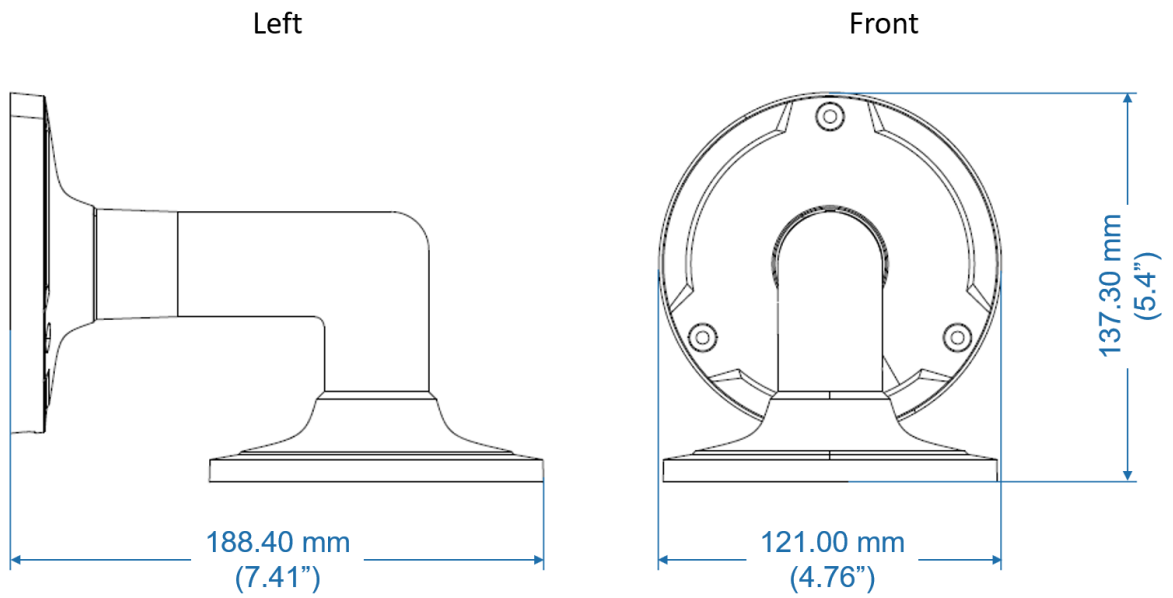
- **GV-CEB4811:** GV-Mount211-6 must be used with GV-Mount506.
- **GV-GDR2801:** GV-Mount211-6 must be used with GV-Mount506.
- **GV-GDRF4800 / GDRN4800:** GV-Mount211-8 must be used with GV-Mount517.
- **GV-GEB4900 / GEBF2802 / GEBF4802:** GV-Mount211-8 must be used with GV-Mount506-1.
- **GV-GEBF4911 / GEBN4800 / GEBP8900:** GV-Mount211-6 must be used with GV-Mount506.
- **GV-GVD4810 / GVD4910:** GV-Mount211-6 must be used with GV-Mount510.
- **GV-TMEB5800:** GV-Mount211-6 must be used with GV-Mount506.

Dimensions

GV-Mount211-6



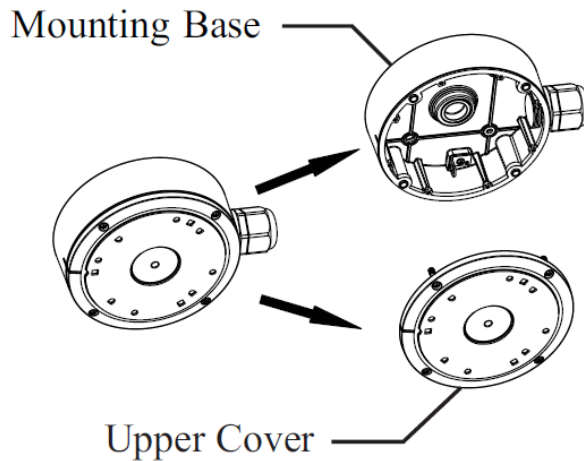
GV-Mount211-8



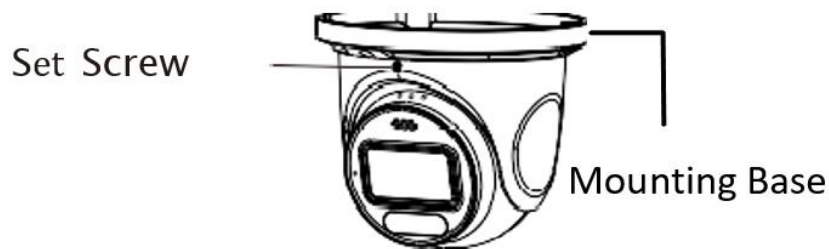
Installation

The steps below show an example installation of **GV-GEBF4911**, using **GV-Mount211-6** paired with **GV-Mount506**.

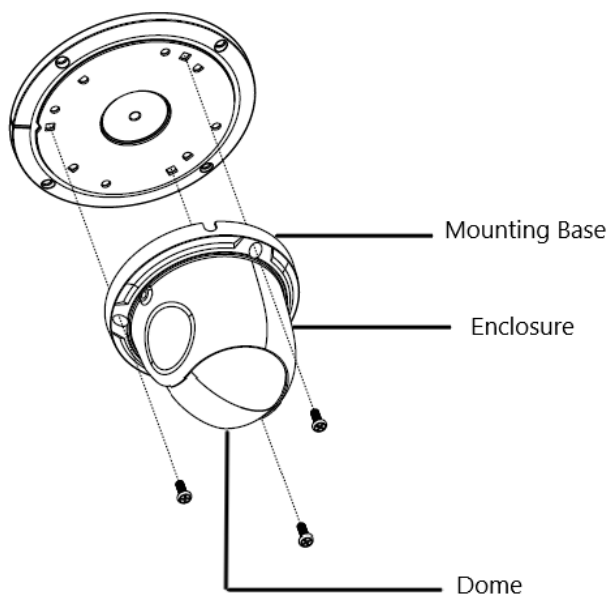
1. Open the mounting base and the upper cover of GV-Mount506.



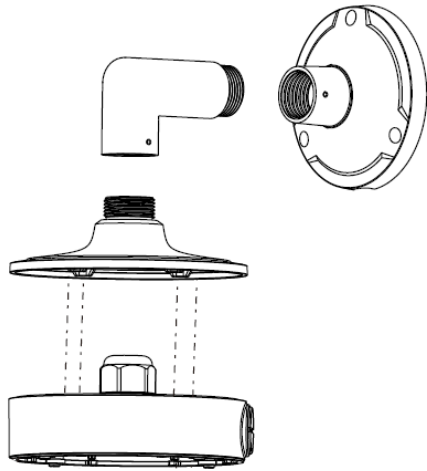
2. Loosen the set screw and detach the mounting base of the camera.



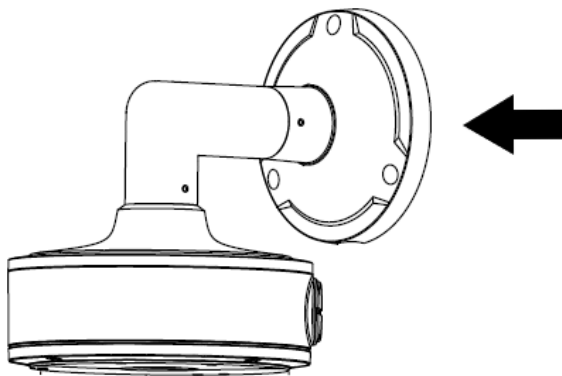
3. Secure the camera's mounting base to the upper cover of GV-Mount506, and install the dome and enclosure to the camera's mounting base.



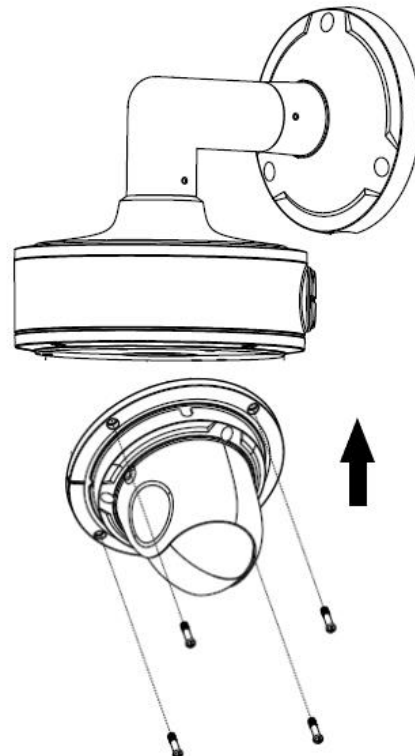
4. Assemble GV-Mount211-6, and fix the mounting base of GV-Mount506 to GV-Mount211-6.



5. Route the cables through the cable hole of GV-Mount211-6 and connect the cables.



6. Secure the camera mounted with the upper cover of GV-Mount506 to GV-Mount211-6.



7. Secure the camera mounted with the upper cover of GV-Mount506 to GV-Mount211-6.
8. Secure GV-Mount211-6 to the wall.

4. Wall Bracket Mounting with GV-Mount211-9



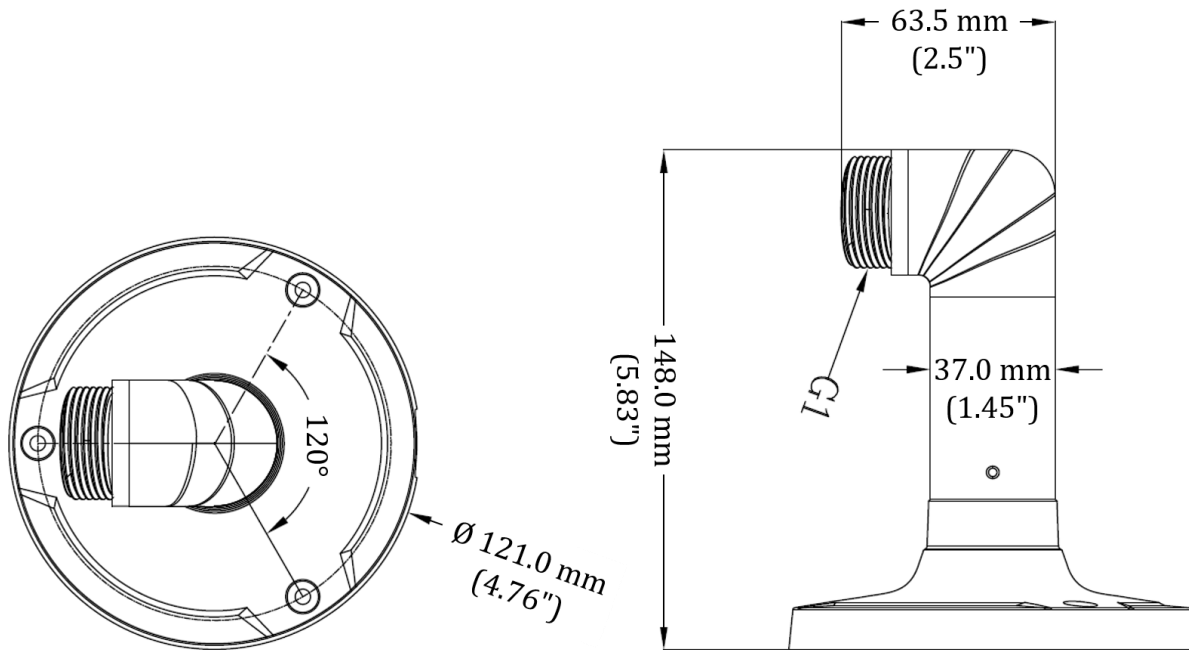
Packing List

1. GV-Mount211-9 Wall Mount Bracket	2. Screw (M3 x 6 mm) x 2
3. Screw (M4 x 12 mm) x 4	4. Screw (M4 x 25 mm) x 3
5. Waterproof Ring x 4	6. Plastic Anchor (6 x 29 mm) x 3
7. Drill Template Paster	

Applicable Models

- **GV-GBLF2802 / GBLF4802:** GV-Mount211-9 must be used with GV-Mount507-1
- **GV-GDR4900:** GV-Mount211-9 must be used with GV-Mount509

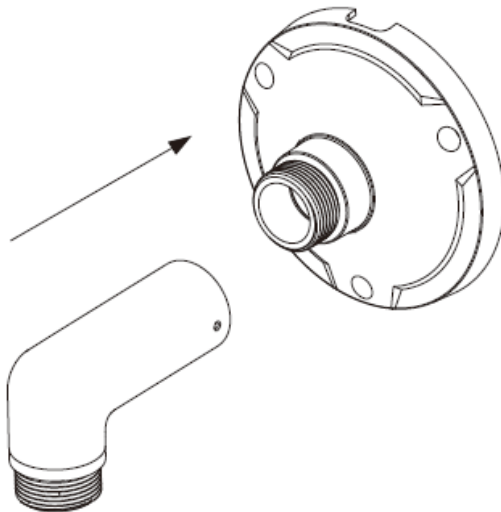
Dimensions



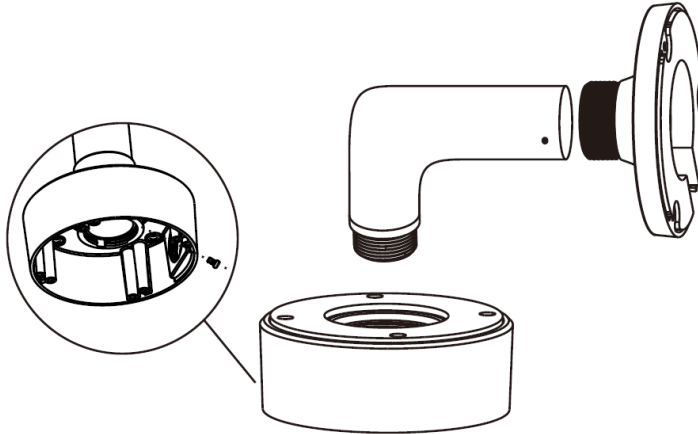
Installation

The steps below show an example installation of **GV-GDR4900**, using **GV-Mount211-9** paired with **GV-Mount509**.

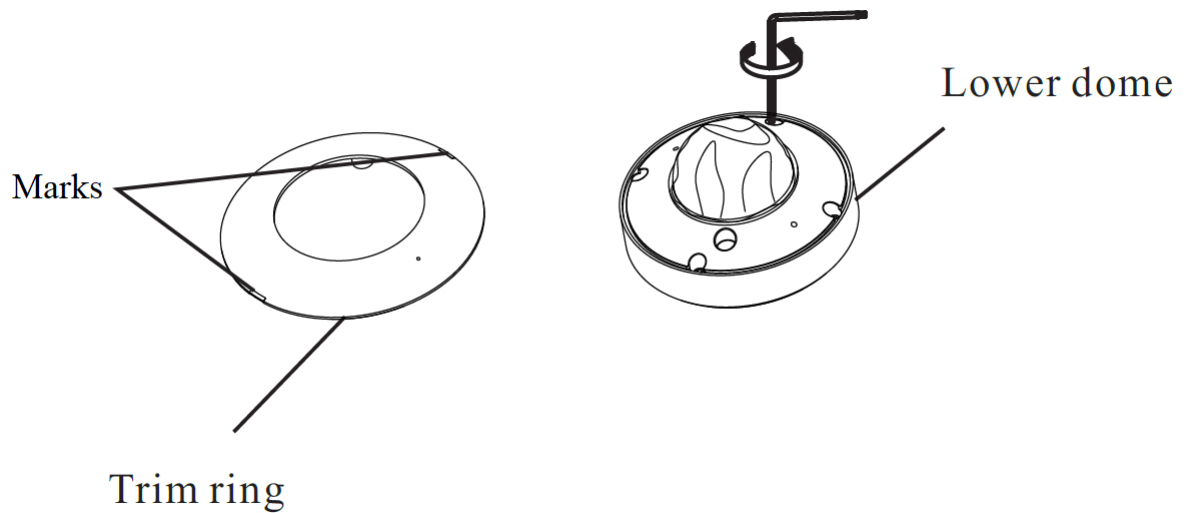
1. Assemble GV-Mount211-9.



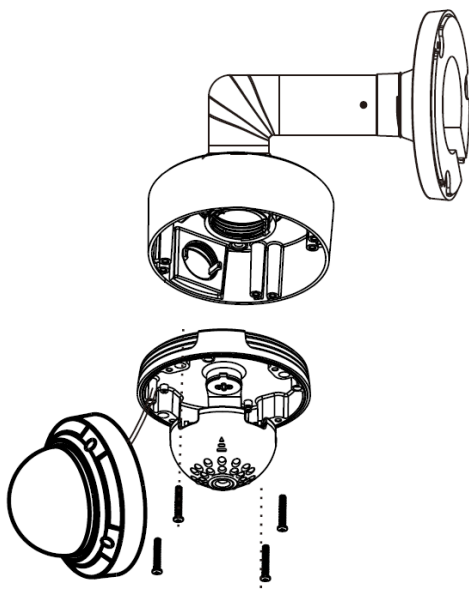
- Secure GV-Mount509 with GV-Mount211-9.



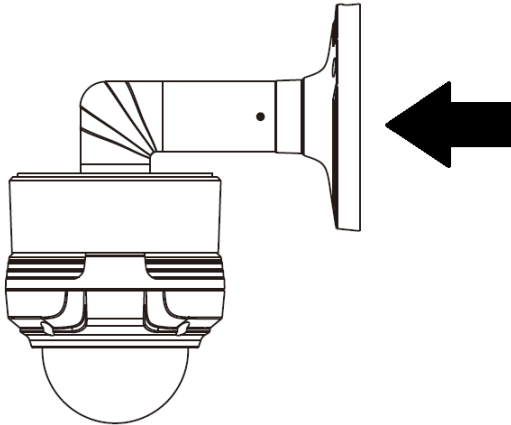
- Use two fingers to remove the trim ring of the camera from the rim with marks. Then loosen the screws to open the lower dome.



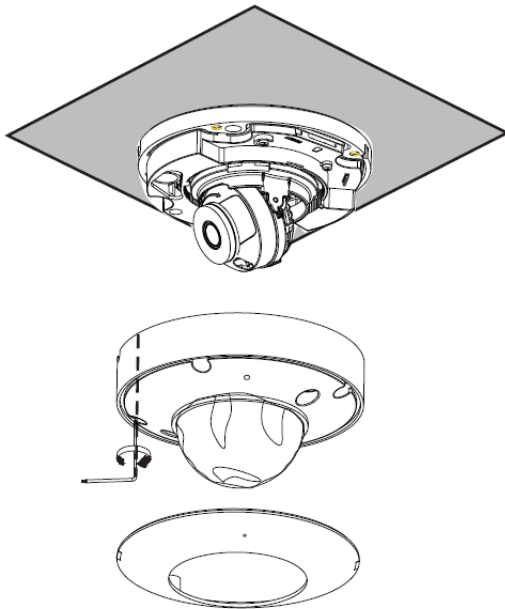
- Attach the camera base to GV-Mount509.



5. Route the cables through the cable hole of GV-Mount211-9 and connect the cables.



6. Put the trim ring back onto the lower dome and assemble the camera.



7. Secure GV-Mount211-9 to the wall.

5. Wall Bracket Mounting with GV-Mount211-11



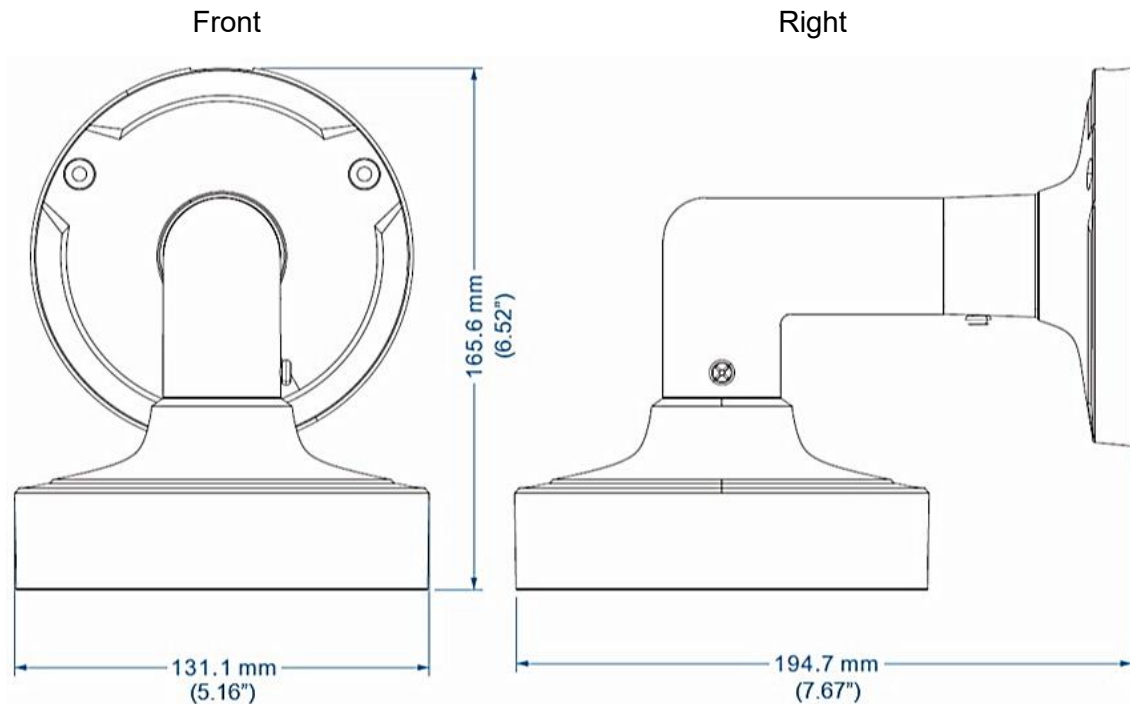
Packing List

1. GV-Mount211-11 Wall Mount Bracket	2. Screw (M4 x 10 mm) x 3
3. Screw (M4 x 25 mm) x 3	4. Waterproof Ring x 3
5. Plastic Anchor (6 x 29 mm) x 3	6. Drill Template Paster

Applicable Models

- GV-GFER6900 / GFER12800

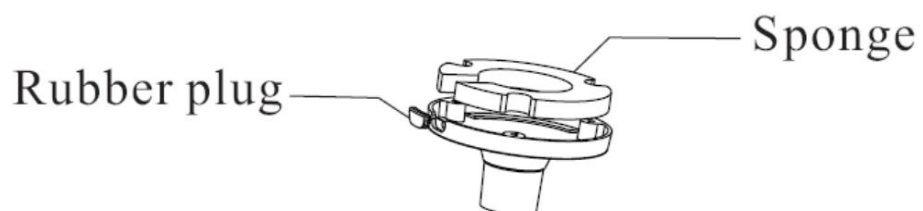
Dimensions



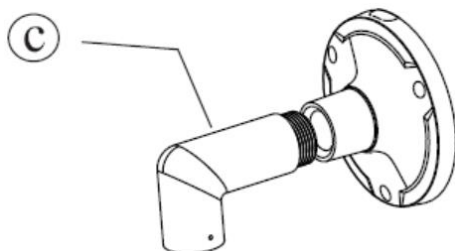
Installation

The steps below show an example installation of **GV-GFER6900** using **GV-Mount211-11**.

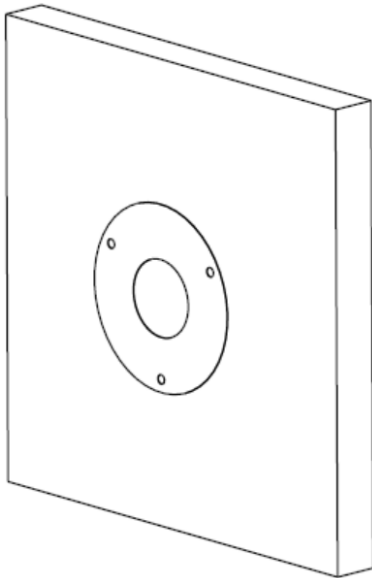
1. Install the sponge and the rubber plug respectively to the mounting base.



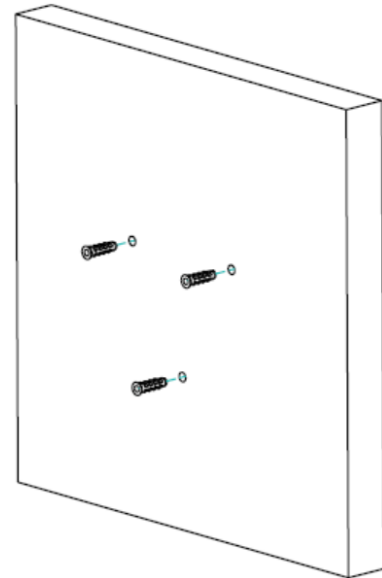
2. Install © to the mounting base according to the screw thread.



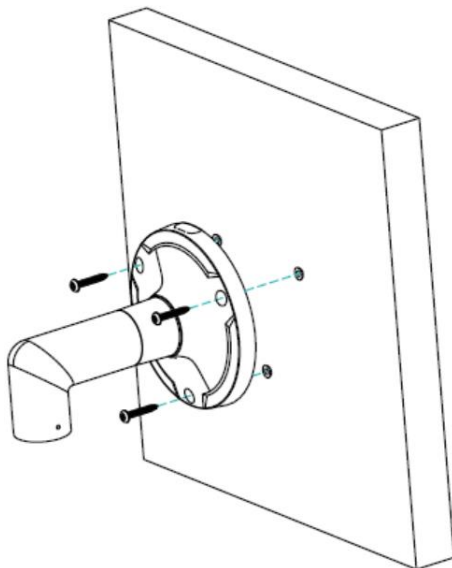
3. Attach the drill template to the place where you want to fix the bracket. Then drill the screw holes according to the drill template.



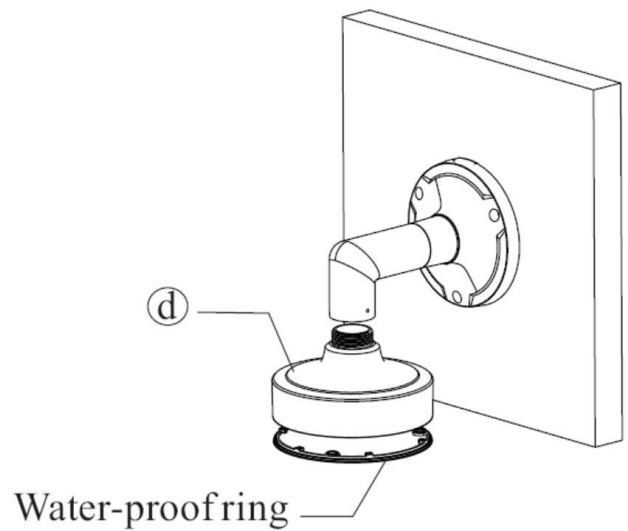
4. Tear off the drill template and insert the plastic plugs.



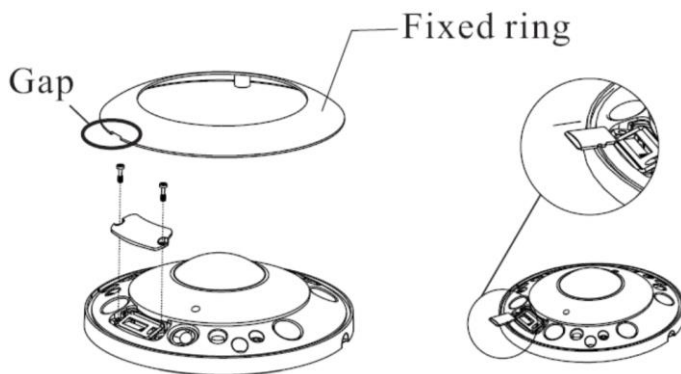
5. Fix the mounting base to the wall with the screws provided.



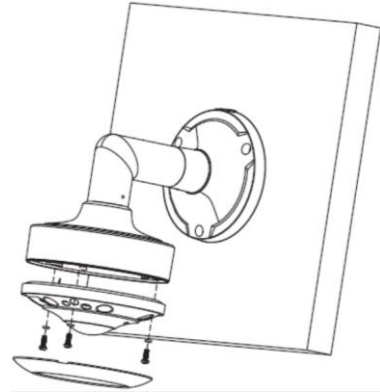
6. Mount the water-proof ring to ④, and then screw ④ with the water-proof ring into ③.



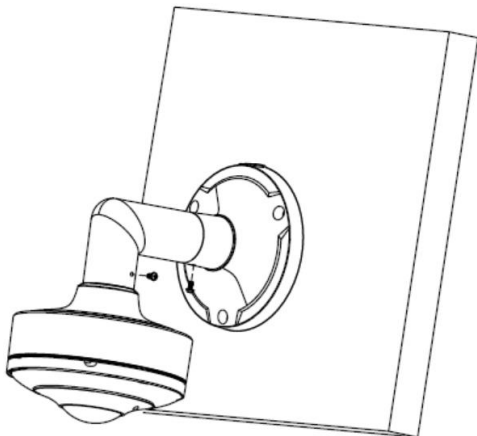
7. Remove the fixed ring from the gap of the camera and then open the cover of the microSD card slot. After that, insert a microSD card.



8. Install the cover of the microSD card slot and then fasten the camera onto the bracket with screws.



9. Install the fixed ring back to the camera and then fix the bracket with screws.



6. Wall Bracket Mounting with GV-Mount211-13 / 211-14 / 211-15



Packing List

GV-Mount211-13

1. GV-Mount211-13 Wall Mount Bracket	2. Screw (M6 x 8 mm) x 3
3. Screw (M4 x 10 mm) x 4	4. Screw (M6 x 26 mm) x 4
5. Screw (M6.5 x 38 mm) x 4	6. Plastic Anchor (8 x 40 mm) x 4
7. Hex Key x 1	8. Drill Template Paster

GV-Mount211-14

1. GV-Mount211-14 Wall Mount Bracket	2. Round Head Screw (M3 x 8 mm) x 4
3. Internal Hex Cylindrical Head Screw (M6 x 8 mm) x 3	4. Self-Tapping Screw (M6.5 x 38) x 4
5. Hex Key	6. Plastic Anchor x 4
7. Drill Template Paster	

GV-Mount211-15

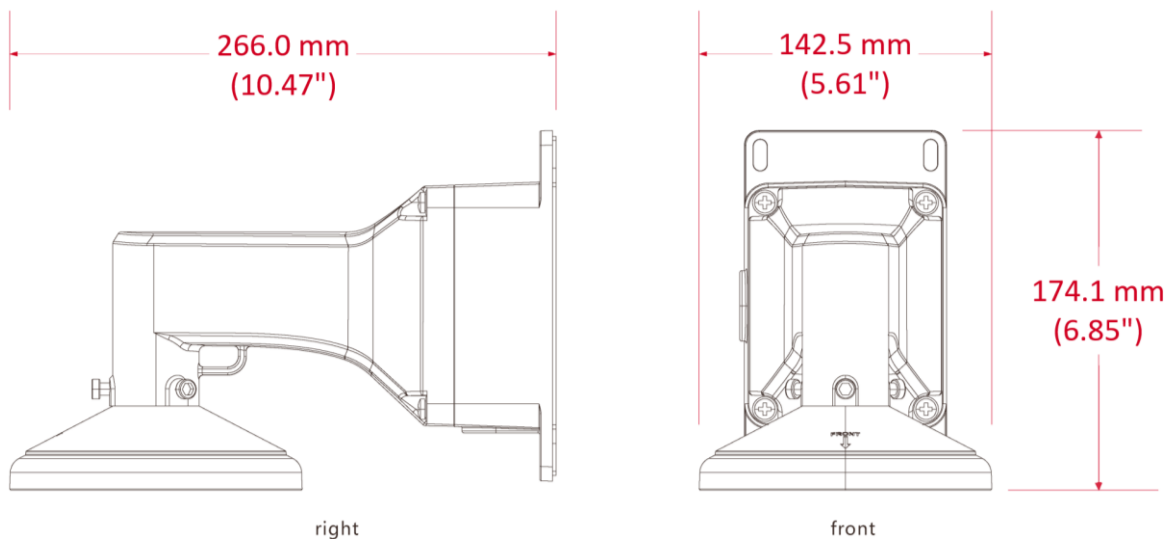
1. GV-Mount211-15 Wall Mount Bracket and Junction Box	2. Round Head Screw (M3 x 8 mm) x 4
3. Internal Hex Cylindrical Head Screw (M6 x 8 mm) x 3	4. Pan Head Screw (M6 x 26 mm) x 4
5. Self-Tapping Screw (M6.5 x 38) x 4	6. Hex Key
7. Plastic Anchor x 4	8. Drill Template Paster

Applicable Models

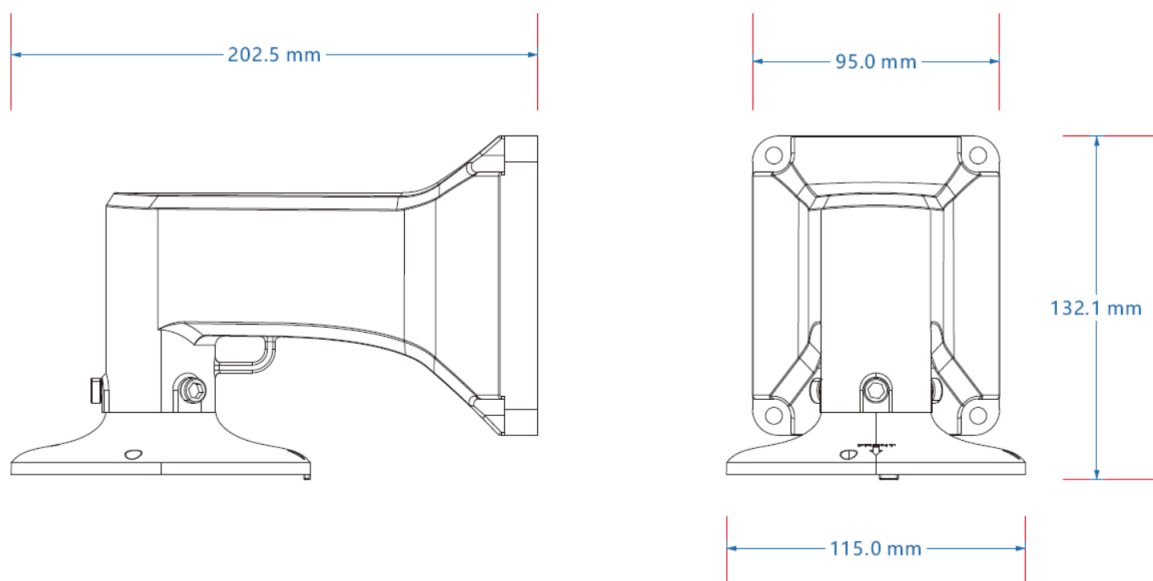
- **GV-Mount211-13:** only for GV-GVD4810 / GVD4910
- **GV-Mount211-14 / 211-15:** only for GV-GPTZ4810

Dimensions

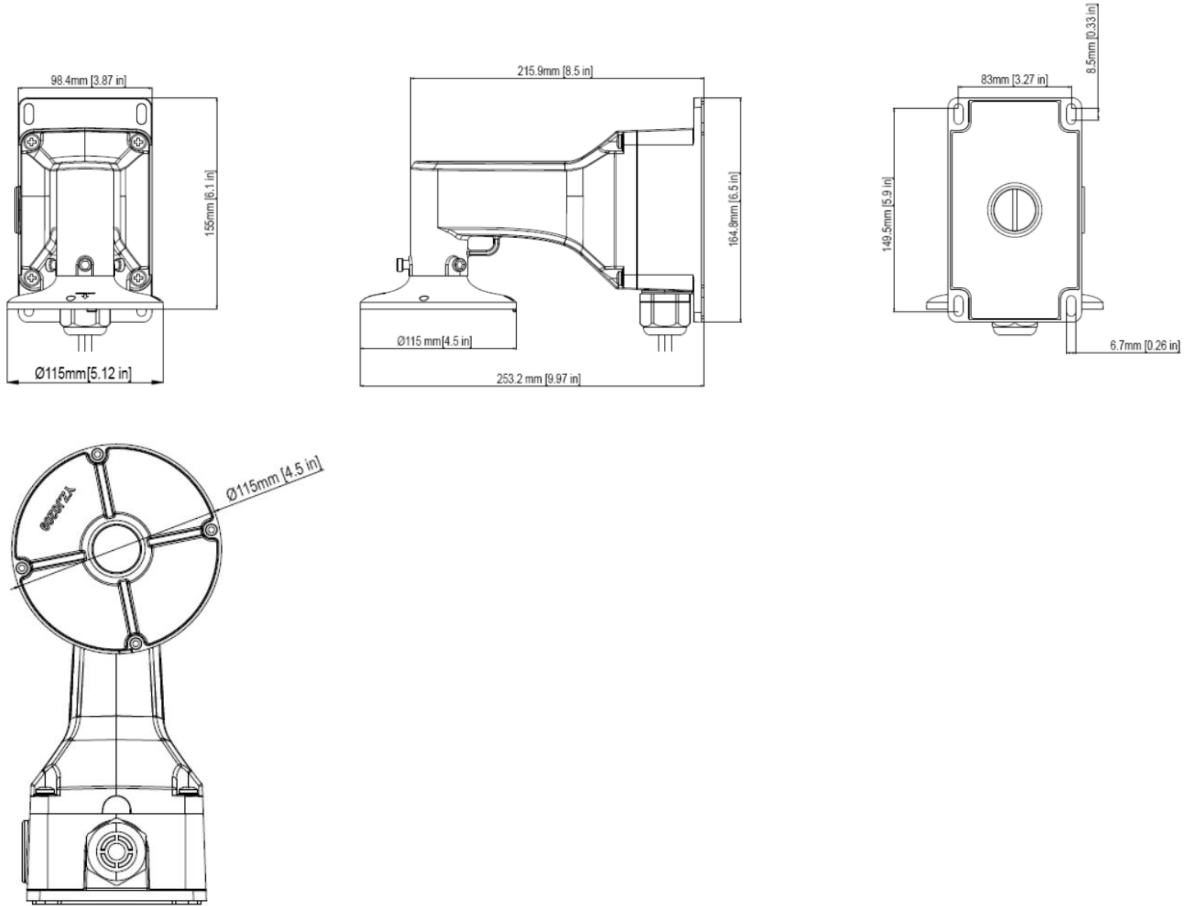
GV-Mount211-13



GV-Mount211-14



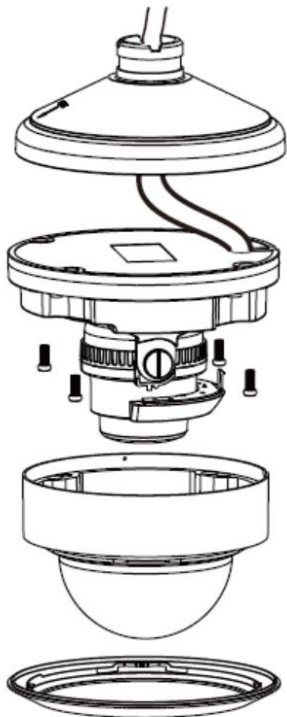
GV-Mount211-15



Installation

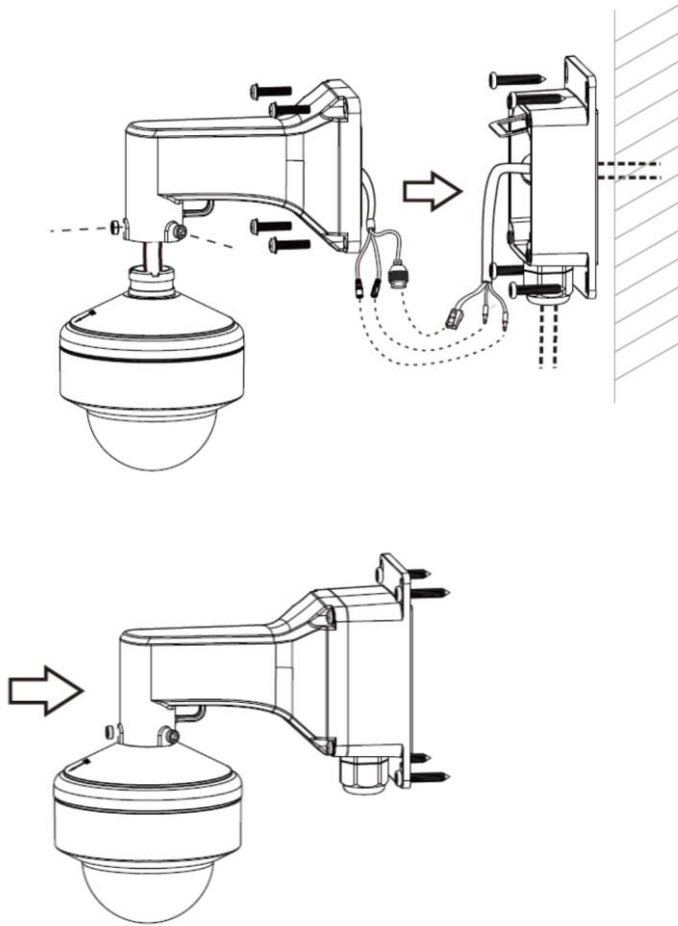
The steps below show an example installation of **GV-GVD4910** using **GV-Mount211-13**.

1. Unscrew and remove the upper cover of GV-Mount211-13.
2. Loosen the set screw and detach the camera's mounting base.
3. Thread the camera's cables through the upper cover of GV-Mount211-13, secure the camera's mounting base to the upper cover, and then attach the dome and enclosure to the camera's mounting base.



4. Drill the screw holes on the wall according to the provided drill template.

5. Secure the mounting base of GV-Mount211-13 to the wall, then route the cables through the cable hole and connect them. Fix GV-Mount211-13 to its mounting base on the wall, and then re-attach the upper cover to complete the installation.



7. Corner Bracket Mounting with Wall Mounting Using GV-Mount314 and GV-Mount211-14 / 211-15



Packing List

GV-Mount314

1. GV-Mount314 Corner Mount Bracket	2. Phillips Pan Head Screw (M4 x 20 mm) and Washer (diameter Ø8.5 mm) x 4
3. Phillips Pan Head Screw (M6 x 26 mm) and Washer (diameter Ø12 mm) x 4	4. M4 Hex Nut x 4
5. M6 Hex Nut x 4	6. Expansion Bolt (M8 x 80) x 4

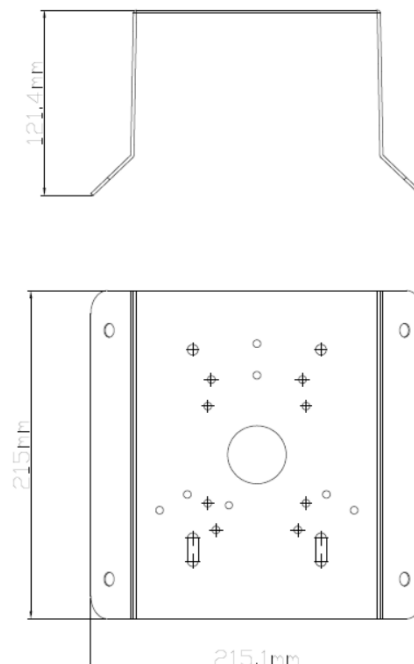
For details on GV-Mount211-14 / 211-15, see 6. *Wall Bracket Mounting with GV-Mount211-13 / 211-14 / 211-15.*

Applicable Models

- **GV-GBL4900**: GV-Mount314 must be used with GV-Mount506-1 or GV-Mount507-1.
- **GV-GBL4911 / GBL12811**: GV-Mount314 must be used with GV-Mount506.
- **GV-GBLF2802 / GBLF4802**: GV-Mount314 must be used with GV-Mount211-9 + GV-Mount507-1, GV-Mount506-1, or GV-Mount507-1.
- **GV-GBLF4813**: GV-Mount314 must be used with GV-Mount506-1 or GV-Mount507-1.
- **GV-GBLP8900**: GV-Mount314 must be used with GV-Mount506-1.
- **GV-GDR2801**: GV-Mount314 must be used with GV-Mount211-6 + GV-Mount506.
- **GV-GDR4900**: GV-Mount314 must be used with GV-Mount211-9 + GV-Mount509.
- **GV-GDRF4800 / GDRN4800**: GV-Mount314 must be used with GV-Mount211-8 + GV-Mount517.
- **GV-GEB4900 / GEBF2802 / GEBF4802**: GV-Mount314 must be used with GV-Mount211-8 + GV-Mount506-1, or GV-Mount506-1.
- **GV-GEBF4911**: GV-Mount314 must be used with GV-Mount211-6 + GV-Mount506, or GV-Mount506.
- **GV-GEBP8900**: GV-Mount314 must be used with GV-Mount211-6 + GV-Mount506.
- **GV-GFER6900 / GFER12800**: GV-Mount314 must be used with GV-Mount211-11.
- **GV-GPTZ4810**: GV-Mount314 must be used with GV-Mount211-14 or GV-Mount211-15.
- **GV-GVD4810 / GVD4910**: GV-Mount314 must be used with GV-Mount211-6 + GV-Mount510, or GV-Mount211-13.

Dimensions

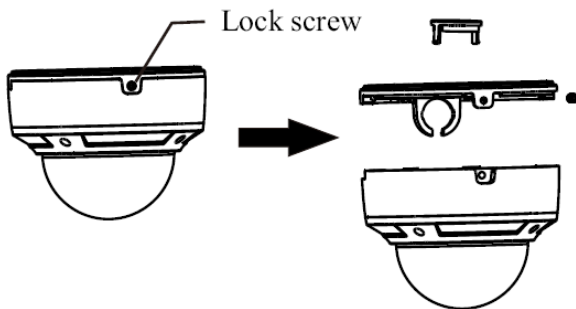
GV-Mount314



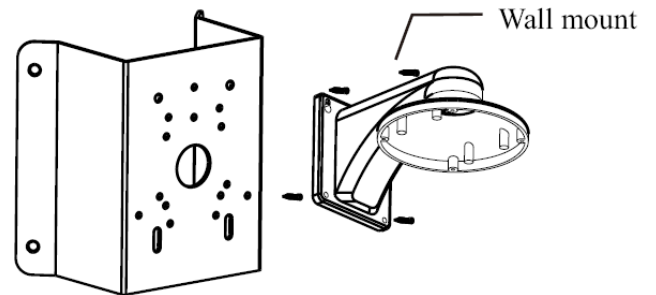
Installation

Corner Mounting of Dome Camera with Wall Mount

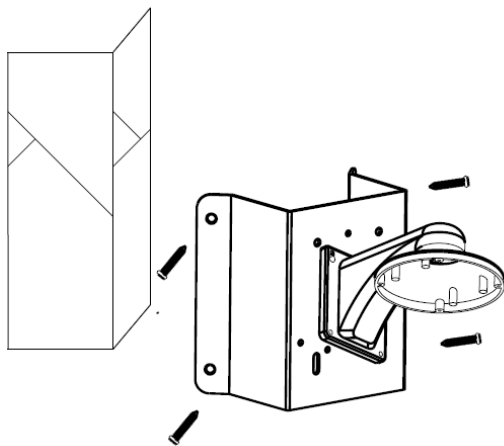
1. Loosen the lock screw to remove the mounting base.



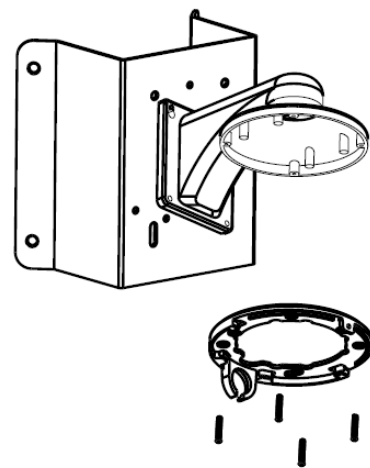
2. Fix the wall mount to the corner mount with the nuts and bolts.



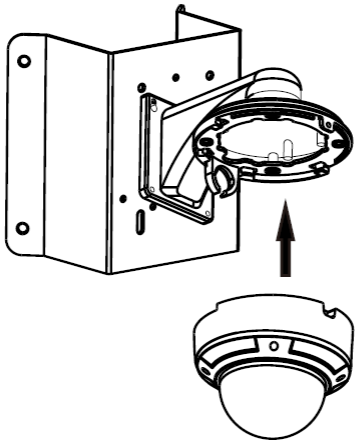
3. Install the corner mount to the corner.



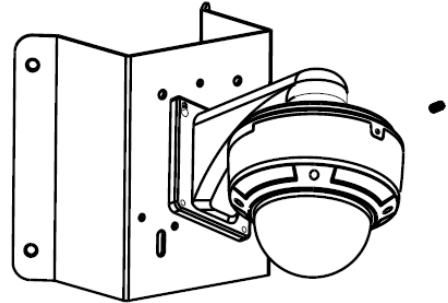
4. Screw the mounting base of the dome camera to the wall mount with screws.



5. Mount the camera to the mounting base.



6. Fix the camera with lock screw.



8. Pole Bracket Mounting with GV-Mount470 / 481

8-1 GV-Mount470



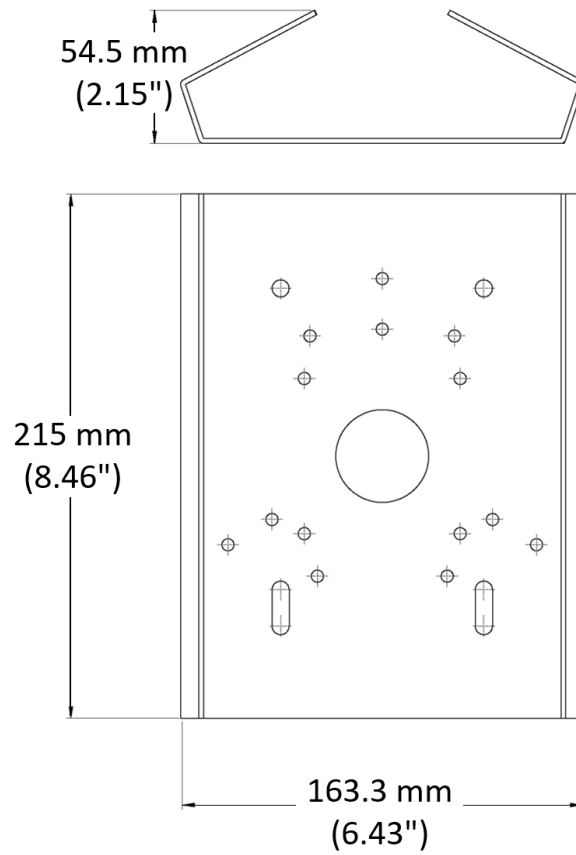
Packing List

1. GV-Mount470 Pole Mount Bracket	2. Screw (M4 x 20 mm) x 4
3. Screw (M6 x 26 mm) x 4	4. Hex Nut (M4 x 3 mm) x 4
5. Hex Nut (M6 x 4.5 mm) x 4	

Applicable Models

- **GV-CBL2800 / CBL4811 / CEB2800:** GV-Mount470 must be used with GV-Mount506-1.
- **GV-CEB4811:** GV-Mount470 must be used with GV-Mount211-6 + GV-Mount506.
- **GV-GBL4900:** GV-Mount470 must be used with GV-Mount506-1 or GV-Mount507-1.
- **GV-GBL4911 / GBL12811:** GV-Mount470 must be used with GV-Mount506.
- **GV-GBLF2802 / GBLF4802:** GV-Mount470 must be used with GV-Mount211-9 + GV-Mount507-1, GV-Mount506-1, or GV-Mount507-1.
- **GV-GBLF4813 / GBLN4800:** GV-Mount470 must be used with GV-Mount506-1 or GV-Mount507-1.
- **GV-GBLP8900:** GV-Mount470 must be used with GV-Mount506-1.
- **GV-GDR2801:** GV-Mount470 must be used with GV-Mount211-6 + GV-Mount506.
- **GV-GDR4900:** GV-Mount470 must be used with GV-Mount211-9 + GV-Mount509.
- **GV-GDRF4800 / GDRN4800:** GV-Mount470 must be used with GV-Mount211-8 + GV-Mount517.
- **GV-GEB4900 / GEBF2802 / GEBF4802:** GV-Mount470 must be used with GV-Mount211-8 + GV-Mount506-1, or GV-Mount506-1.
- **GV-GEBF4911 / GEBN4800:** GV-Mount470 must be used with GV-Mount211-6 + GV-Mount506, or GV-Mount506.
- **GV-GEBP8900:** GV-Mount470 must be used with GV-Mount211-6 + GV-Mount506.
- **GV-GFER6900 / GFER12800:** GV-Mount470 must be used with GV-Mount211-11.
- **GV-GPTZ4810:** GV-Mount470 must be used with GV-Mount211-15.
- **GV-GVD4810 / GVD4910:** GV-Mount470 must be used with GV-Mount211-6 + GV-Mount510, or GV-Mount211-13.

Dimensions



8-2 GV-Mount481



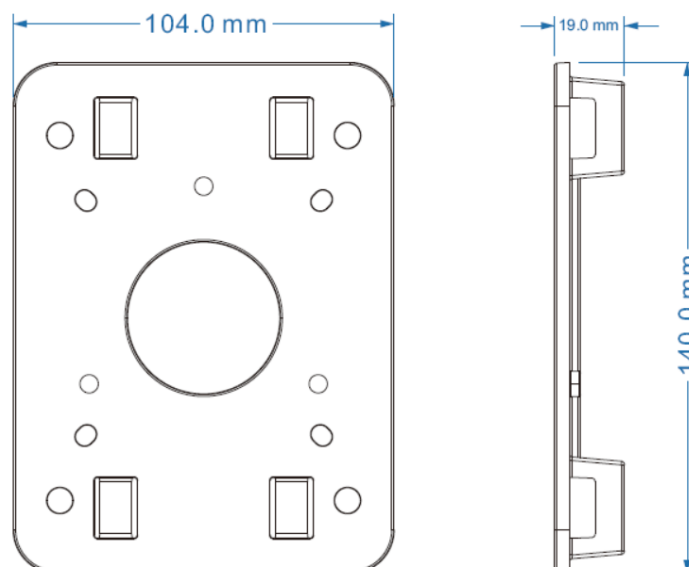
Packing List

1. GV-Mount481 Pole Mount Bracket	2. Phillips Pan Head Screw (M4 x 20 mm) and Washer (diameter Ø8.5 mm) x 4
3. Phillips Pan Head Screw (M6 x 26 mm) and Washer (diameter Ø12 mm) x 4	4. M4 Hex Nut x 4
5. M6 Hex Nut x 4	

Applicable Models

- **GV-GPTZ4810:** GV-Mount481 must be used with GV-Mount211-14.

Dimensions

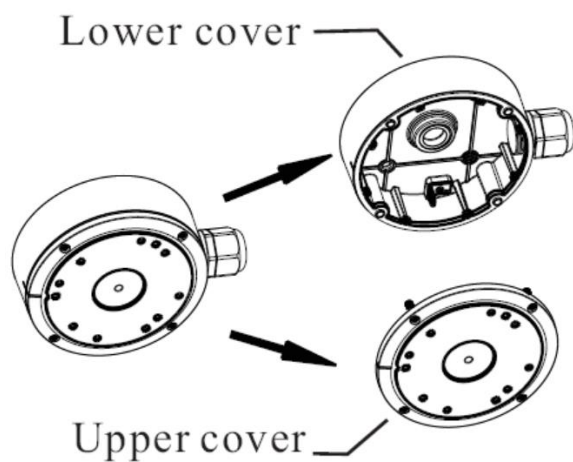


8-3 Pole Bracket Mounting of Bullet Camera with Junction

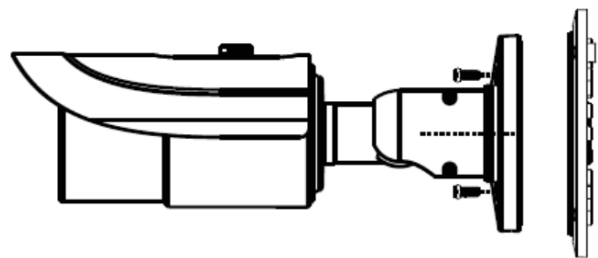
Box

The steps below show an example installation of bullet cameras (e.g., GV-GBL4911) using the **GV-Mount470** Pole Mount Bracket in combination with a **GV-Mount506** Junction Box.

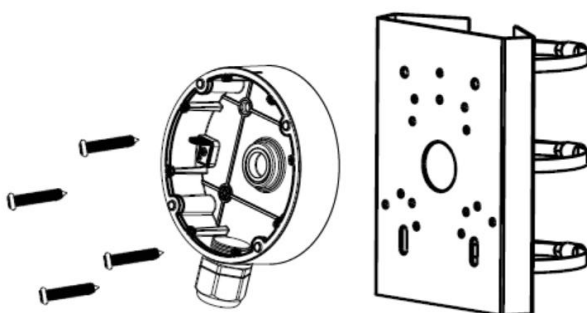
1. Open the covers of the junction box.



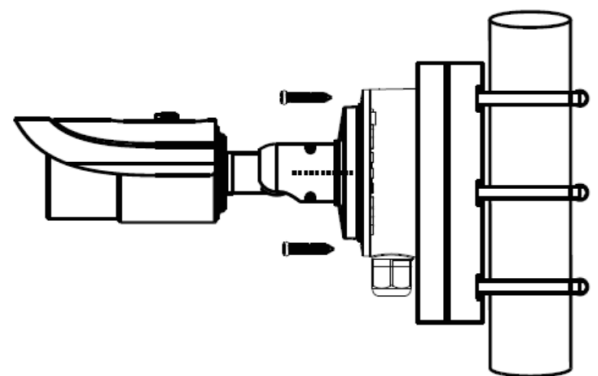
2. Screw the camera to the upper cover of the junction box.



3. Fix the lower cover of the junction box to the pole mount with the bolts and nuts provided.



4. Install the pole mount to the pillar. Then connect cables and fasten the upper cover with the camera to the junction box.

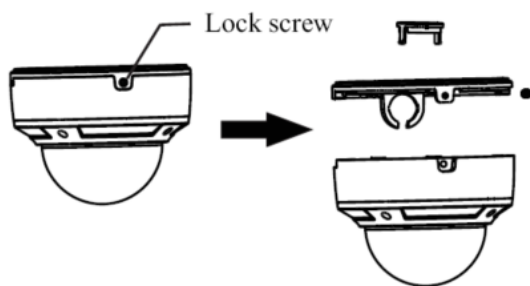


8-4 Pole Bracket Mounting of Dome Camera with Wall

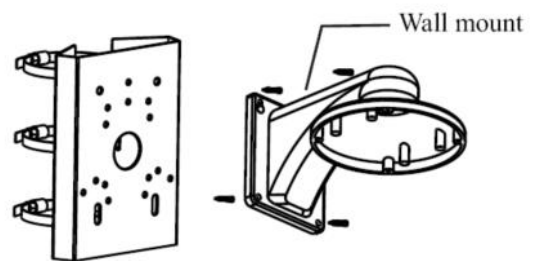
Mount Bracket

The steps below show an example installation of dome cameras (e.g., GV-GDR4900) using the **GV-Mount470** Pole Mount Bracket in combination with a paired with a **GV-Mount211-9** Wall Mount Bracket.

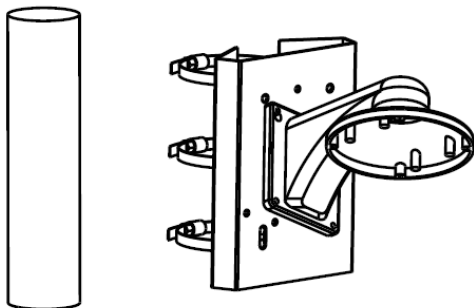
1. Loosen the lock screw to remove the mounting base.



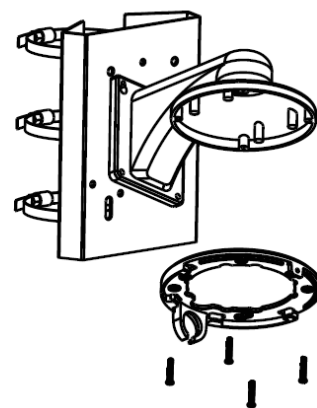
2. Fix the wall mount to the pole mount with the bolts and nuts provided.



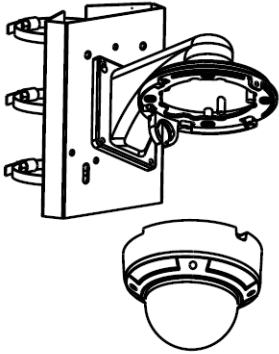
3. Install the pole mount to the pillar.



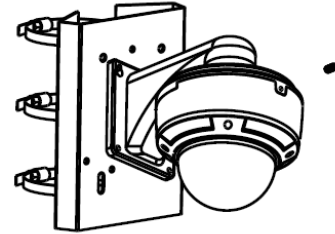
4. Screw the mounting base of the dome camera onto the wall mount.



5. Route and connect cables. Then mount the camera to the mounting base.



6. Fix the camera with lock screw.



9. Junction Box Mounting with GV-Mount506 / 506-1



Packing List

GV-Mount506

1. GV-Mount506 Junction Box	2. Plastic Anchor (7 x 42 mm) x 4
3. Short Screw (M4 x 10 mm) x 4	4. Long Screw (M6.5 x 38 mm) x 4
5. Waterproof Ring x 4	6. Drill Template Paster

GV-Mount506-1

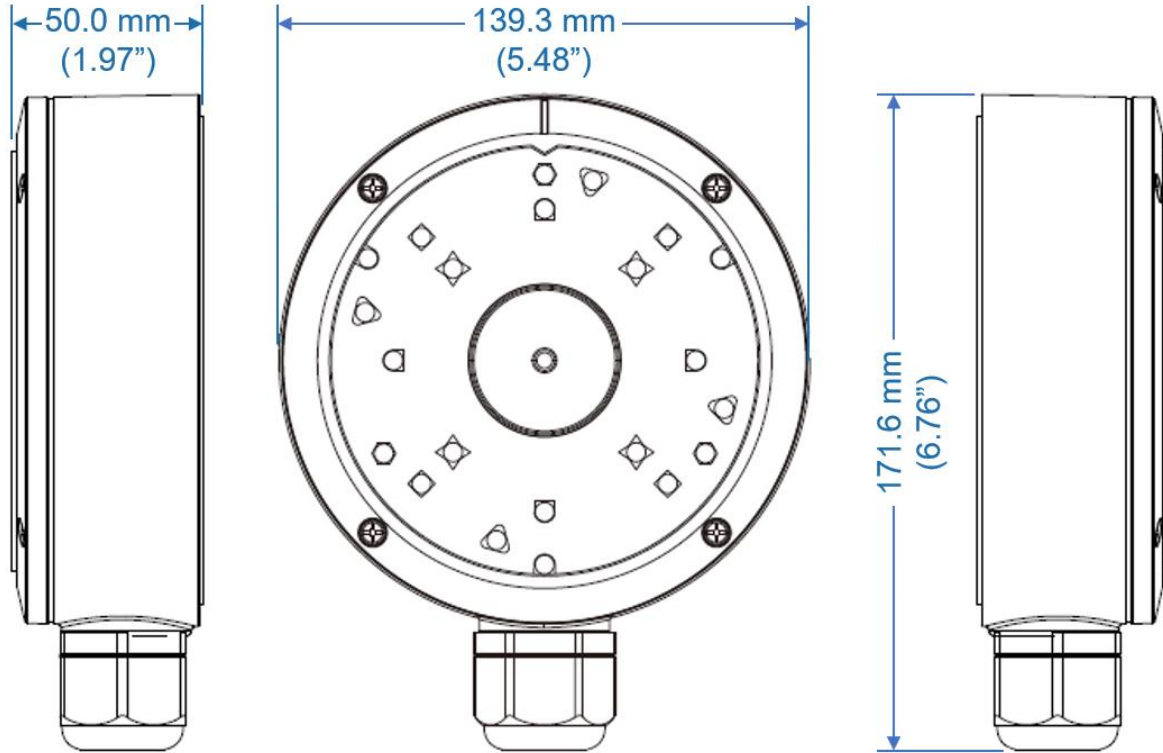
1. GV-Mount506-1 Junction Box	2. Plastic Anchor (4 x 10 mm) x 4
3. Screw (M4 x 25 mm) x 4	4. Waterproof Ring x 5
5. Plastic Anchor (6 x 29 mm) x 4	6. Drill Template Paster

Applicable Models:

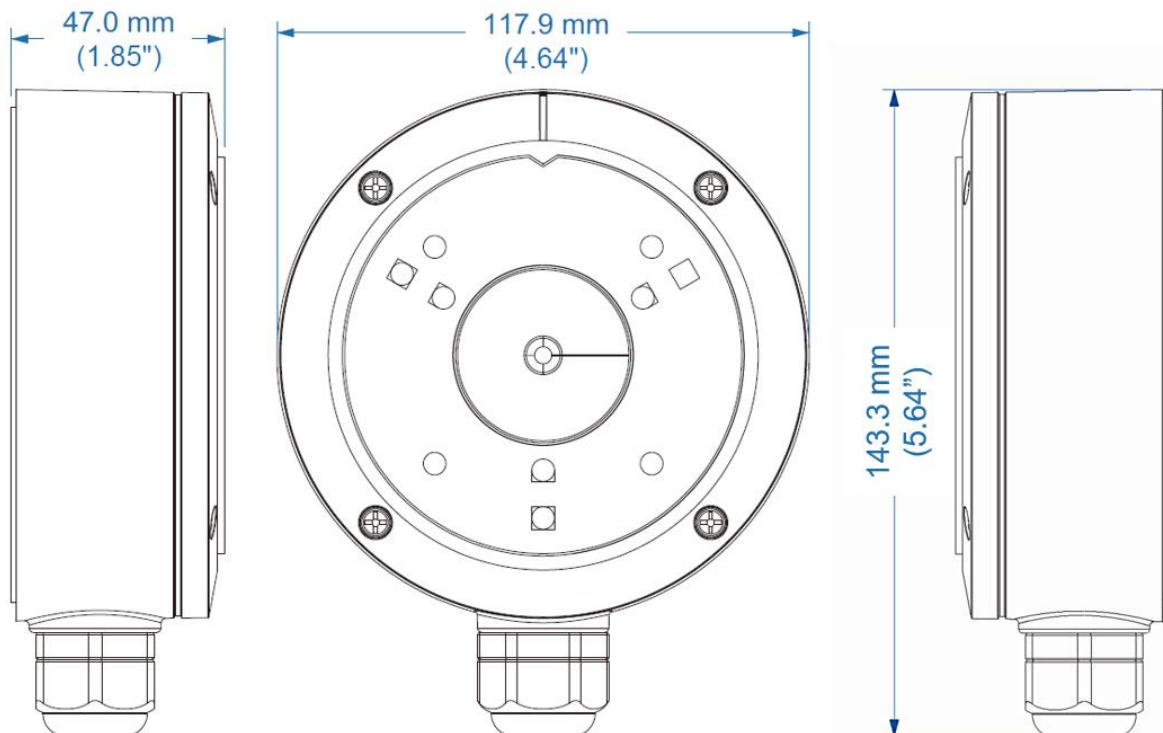
- **GV-Mount506:** GV-CEB4811 / GBL4911 / GBL12811 / GDR2801 / GEBF4911 / GEBN4800 / GEBP8900 / TMEB5800
- **GV-Mount506-1:** GV-CBL2800 / CBL4811 / CEB2800 / GBL4900 / GBLF2802 / GBLF4802 / GBLF4813 / GBLN4800 / GBLP8900 / GEB4900 / GEBF2802 / GEBF4802

Dimensions

GV-Mount506



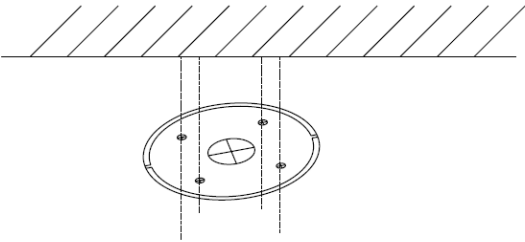
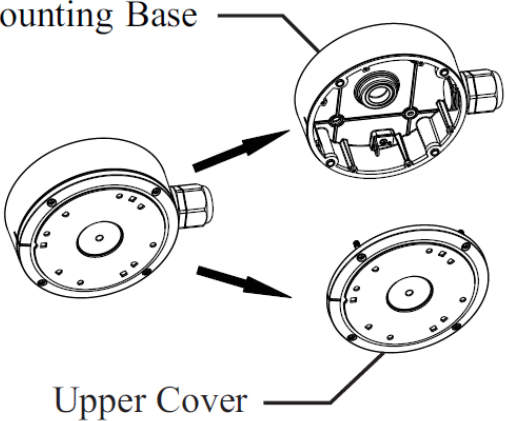
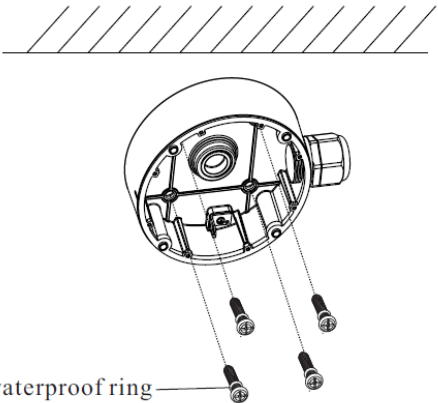

GV-Mount506-1



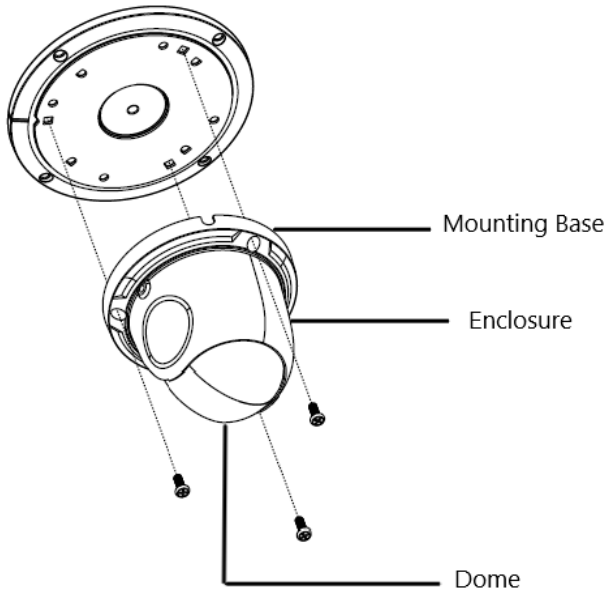
Installation

Before installation, make sure that the wall is strong enough to withstand 3 times the weight of the junction box and camera.

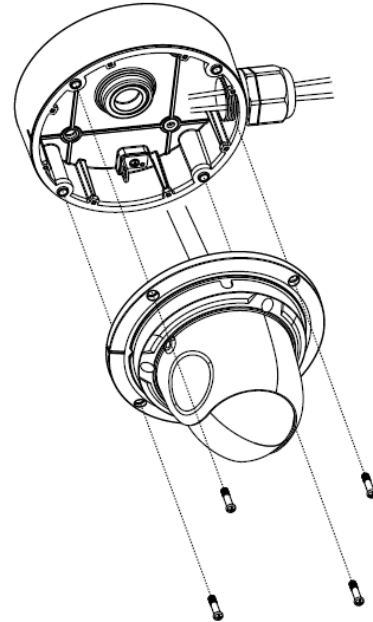
The steps below show an example installation of **GV-GEBF4911** using **GV-Mount506**.

<p>1. Drill the screw holes on the wall according to the drill template.</p> 	<p>2. Open the mounting base and the upper cover of GV-Mount506.</p>  <p>Mounting Base</p> <p>Upper Cover</p>
<p>3. Secure the mounting base of GV-Mount506 to the wall.</p>  <p>Screw waterproof ring</p>	<p>4. Loosen the set screw and detach the mounting base of the camera.</p>  <p>Set Screw</p> <p>Mounting Base</p>

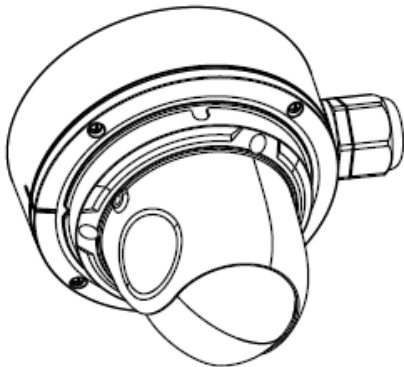
5. Secure the camera's mounting base to the upper cover of GV-Mount506 first, and install the dome and enclosure to the camera's mounting base.



6. Route the cables through the cable hole (take side conduit cabling for example) and connect the cables. Then reinstall the upper cover on GV-Mount506.



7. Adjust the view angle of the camera.



10. Junction Box Mounting with GV-Mount507



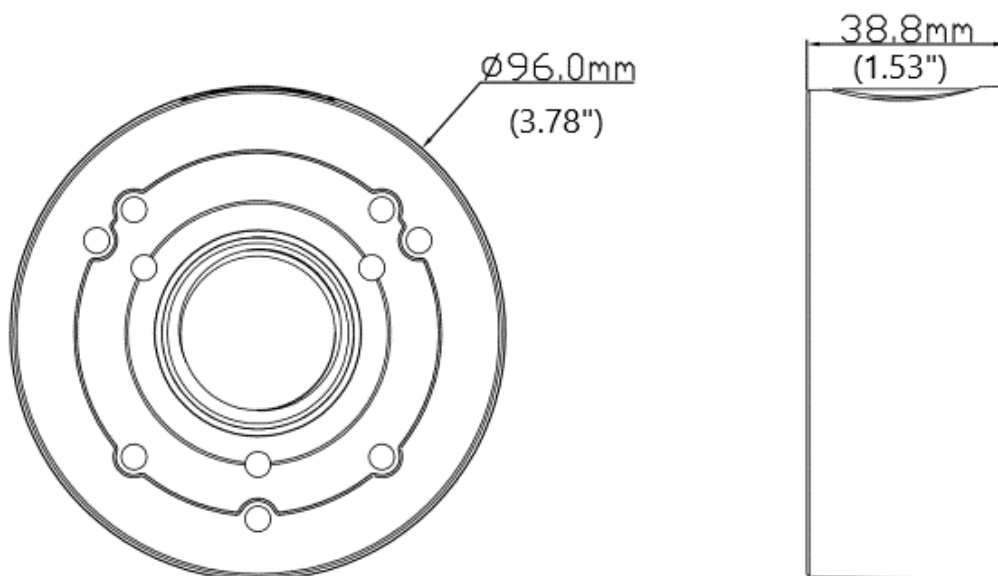
Packing List

1. GV-Mount507 Junction Box	2. Screw (M4 x 10 mm) x 4
3. Screw (M4 x 25 mm) x 3	4. Screw (M3 x 6 mm) x 1
5. Plastic Anchor x 3	6. Hex Key x 1
7. Waterproof Ring x 5	8. Drill Template Paster

Applicable Models

- GV-CBL2800 / CBL4811 / CEB2800 / GBL4900 / GBLF2802 / GBLF4802 / GBLF4813 / GBLN4800 / GEB4900 / GEBF2802 / GEBF4802

Dimensions

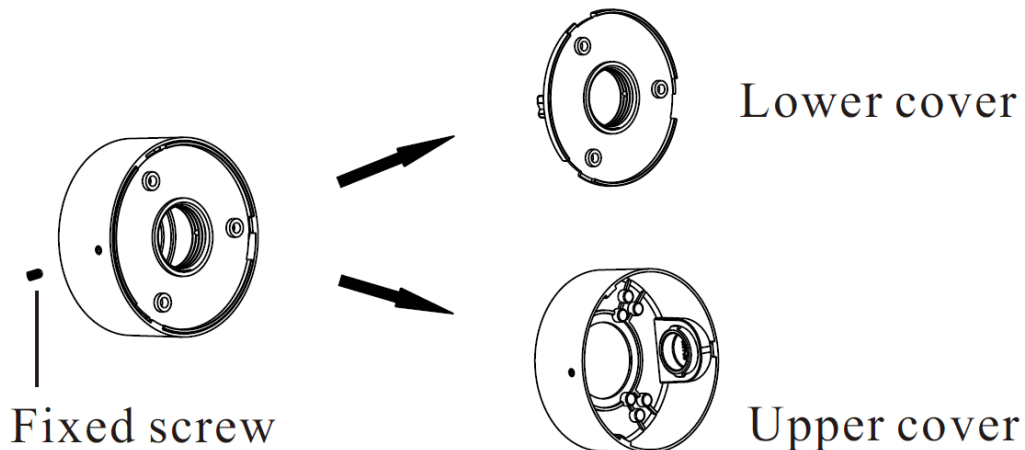


Installation

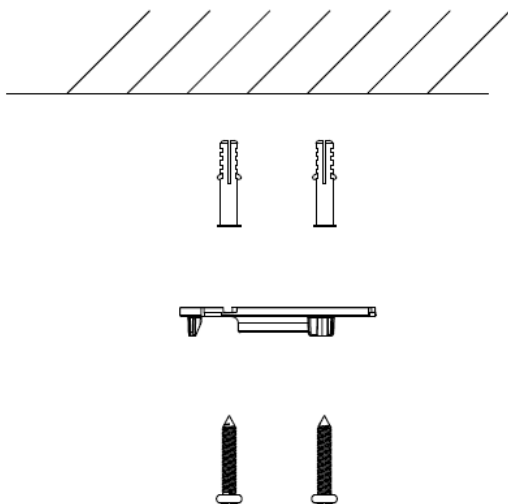
Before installation, make sure that the wall is strong enough to withstand 3 times the weight of the junction box and camera.

The steps below show an example installation of **GV-GBL4900** using **GV-Mount507**.

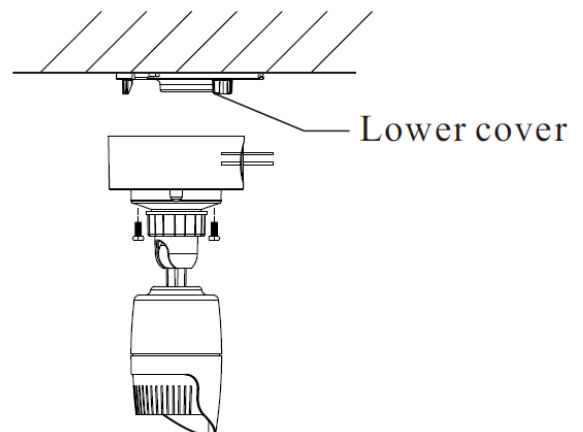
1. Open the lower cover and the upper cover of the junction box by loosening the fixed screw.



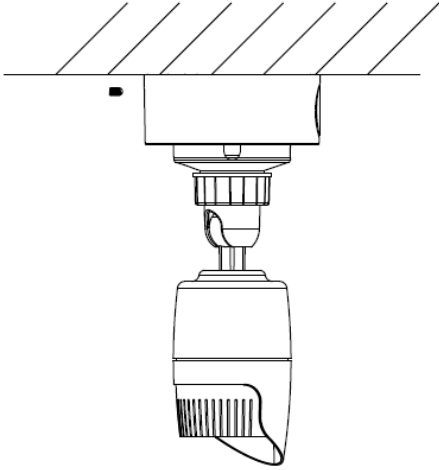
2. Fix the lower cover of the junction box to the wall with screws.



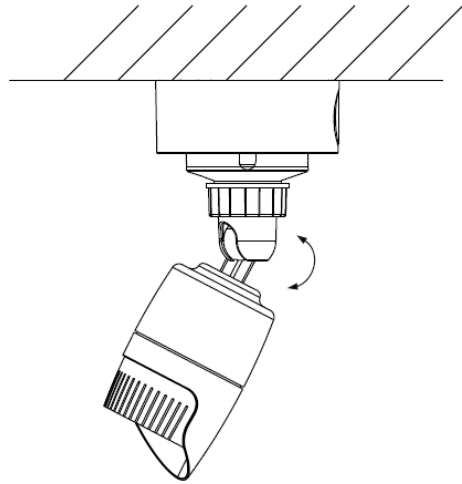
3. Fix the camera to the upper cover of the junction box. Then route the cables through the cable hole (take side conduit cabling for example) and connect the cables.



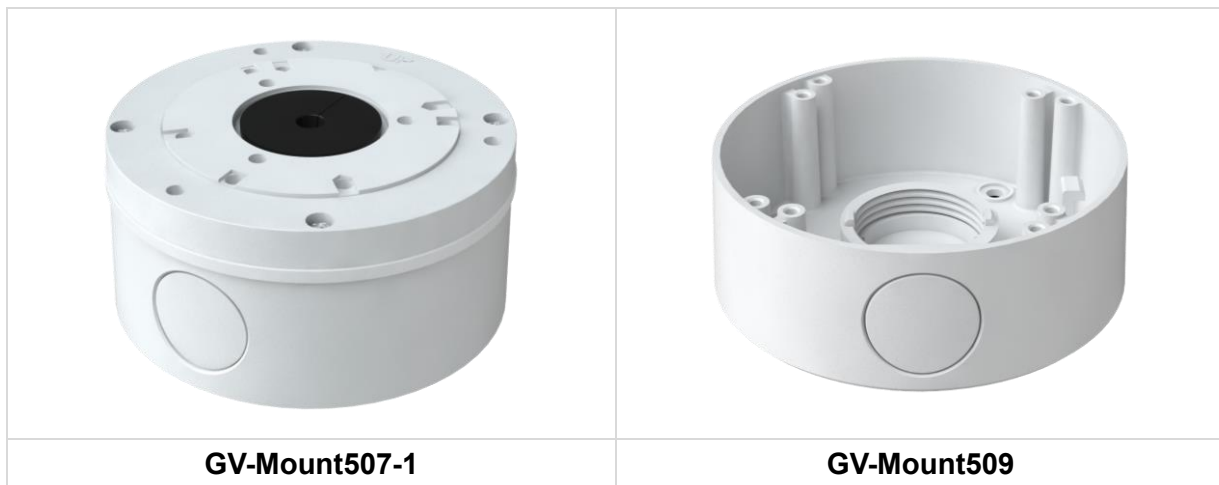
4. Install the camera with the upper cover of the junction box to the lower cover, with a clockwise rotation and then secure the junction box by tightening the fixed screw.



5. Adjust the view angle of the camera.



11. Junction Box Mounting with GV-Mount507-1 / 509



Packing List

GV-Mount507-1

1. GV-Mount507-1 Junction Box	2. Screw (M4 x 10 mm) x 4
3. Screw (M4 x 25 mm) x 4	4. Plastic Anchor x 4
5. Waterproof Ring x 4	6. Drill Template Paster

GV-Mount509

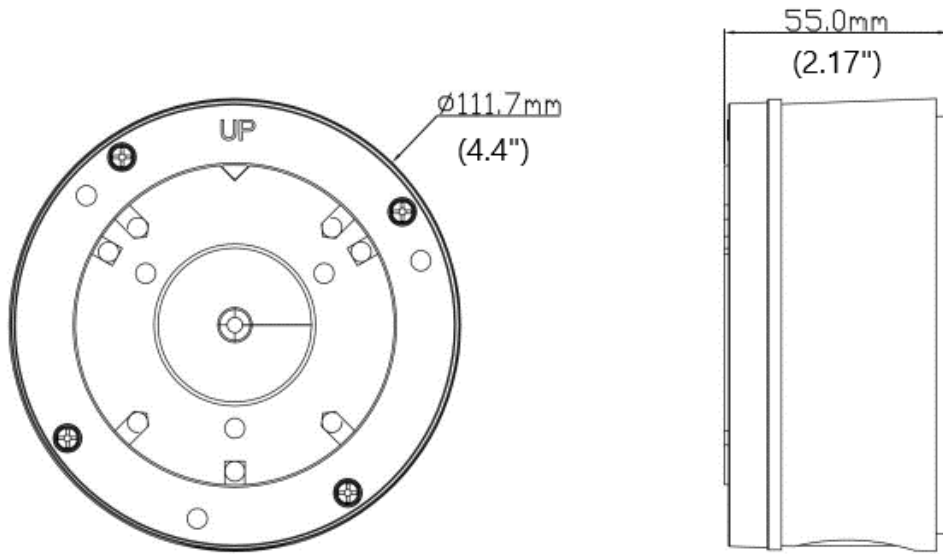
1. GV-Mount509 Junction Box	2. Screw (M4 x 12 mm) x 5
3. Screw (M4 x 22 mm) x 5	4. Screw (M4 x 25 mm) x 4
5. Plastic Anchor x 4	6. Drill Template Paster

Applicable Models

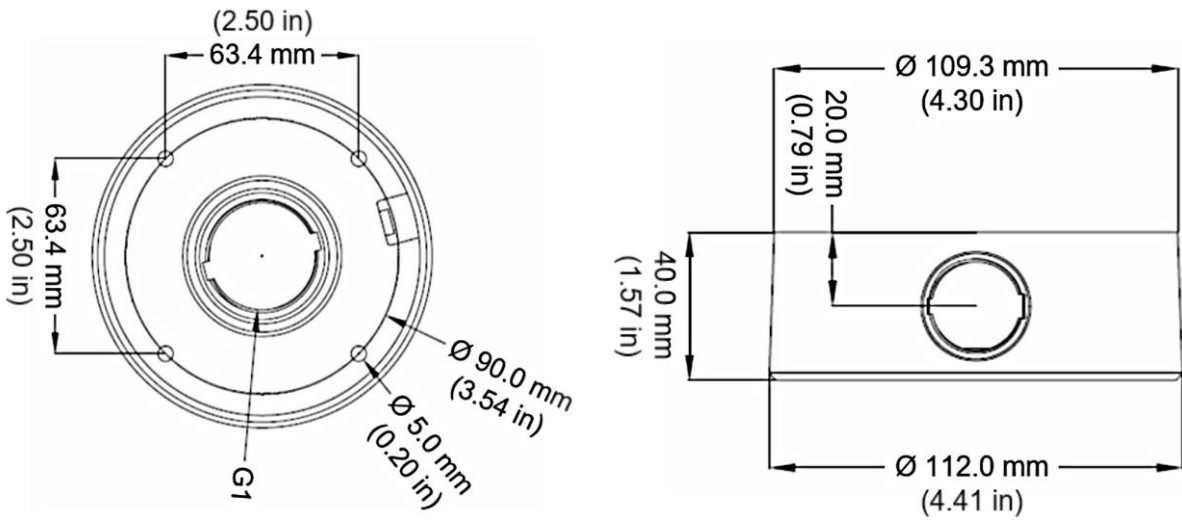
- **GV-Mount507-1:** GV-CBL2800 / CBL4811 / CEB2800 / GBL4900 / GBLF2802 / GBLF4802 / GBLF4813 / GBLN4800 / GDR2801
- **GV-Mount509:** GV-GDR4900

Dimensions

GV-Mount507-1



GV-Mount509

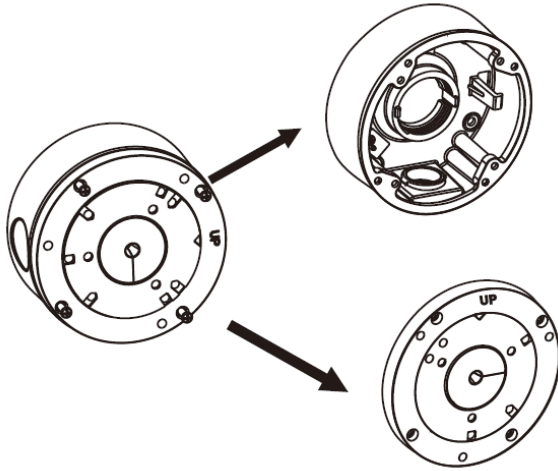


Installation

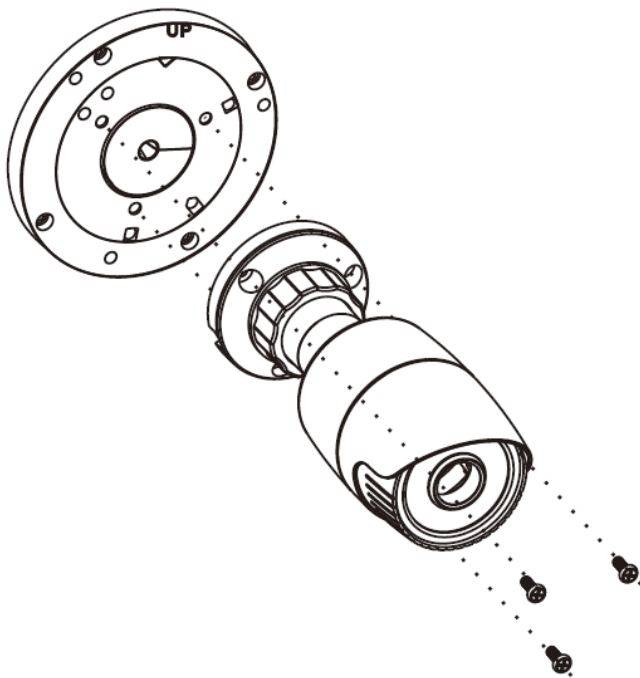
GV-Mount507-1

The steps below show an example installation of bullet cameras using GV-Mount507-1.

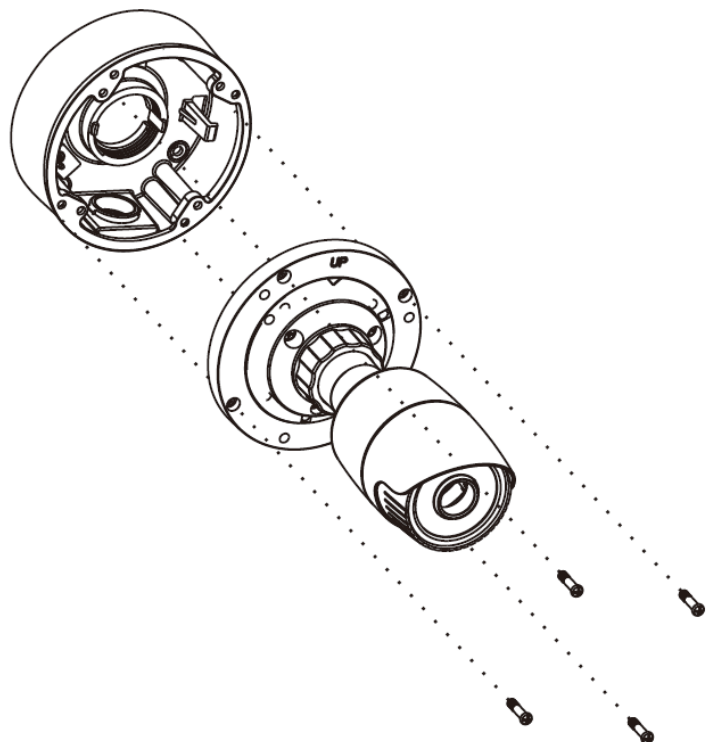
1. Disassemble GV-Mount507-1.



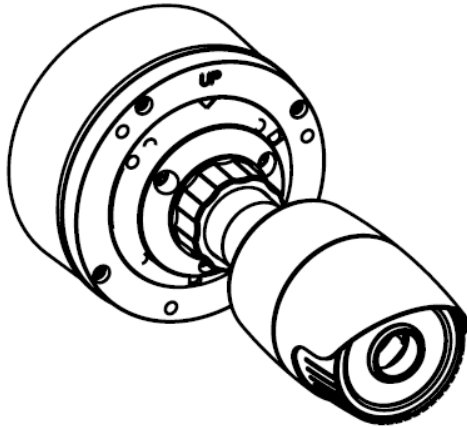
2. Secure the camera onto the cover of GV-Mount507-1 using the supplied screws as indicated below.



3. Assemble the camera and the bottom of GV-Mount507-1 using the supplied screws as indicated below.



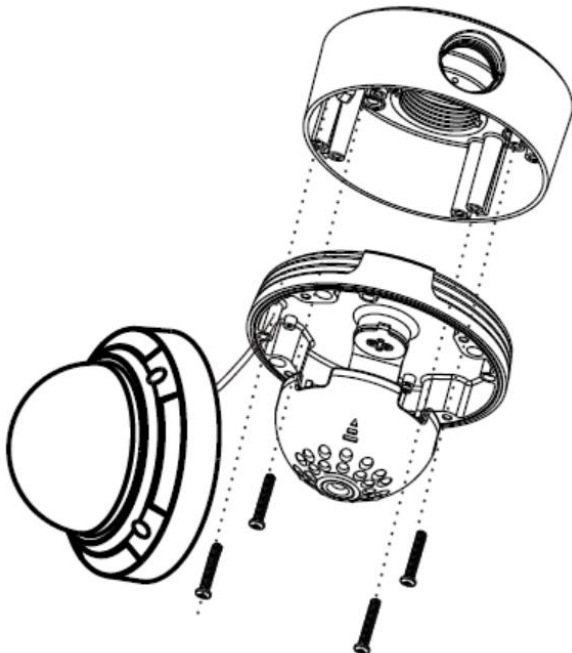
4. The installation is completed.



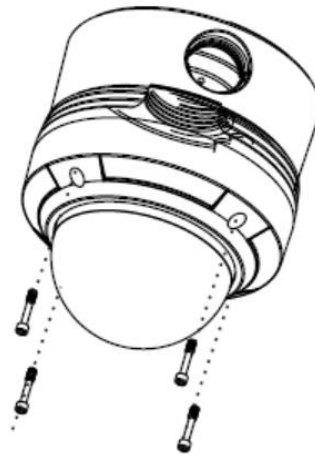
GV-Mount509

The steps below show an example installation of dome cameras using GV-Mount509.

1. Secure the camera base to GV-Mount509 using the supplied screws as indicated below.

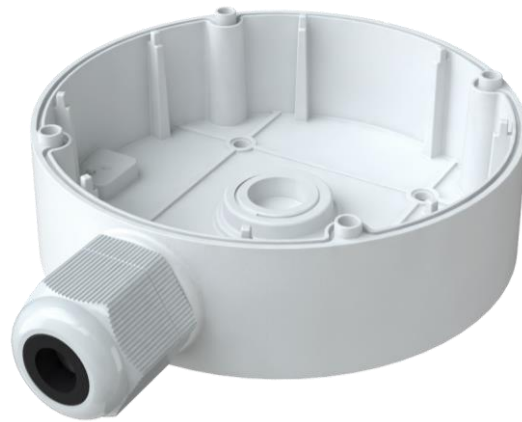


2. Attach the camera cover to the assembly using the supplied screws as indicated below.



3. The installation is completed.

12. Junction Box Mounting with GV-Mount510



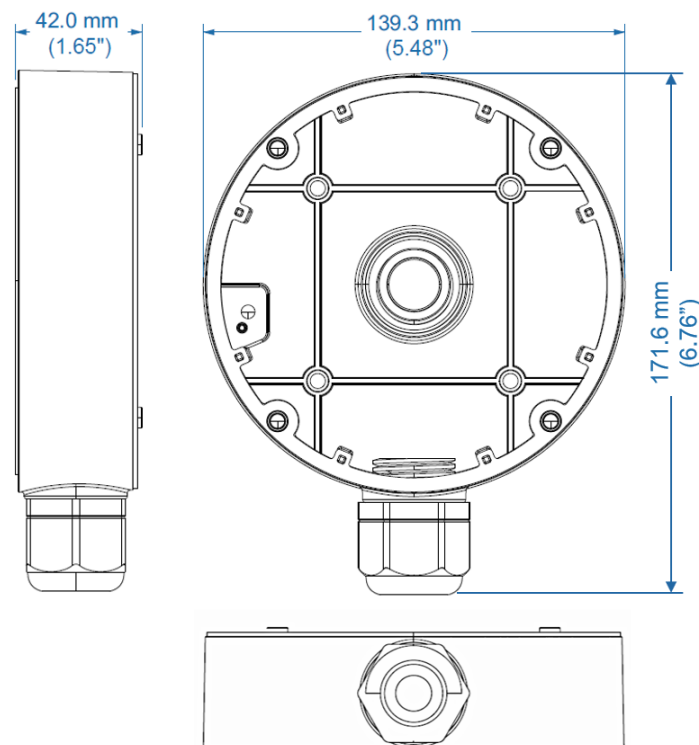
Packing List

1. GV-Mount510 Junction Box	2. Screw (M4 x 16 mm) x 4
3. Screw (M6.5 x 38 mm) x 4	4. Screw Waterproof Ring x 4
5. PG Waterproof Ring x 1	6. Plastic Anchor (8 x 40 mm) x 4
7. Drill Template Paster	

Applicable Models

- GV-GVD4810 / GVD4910

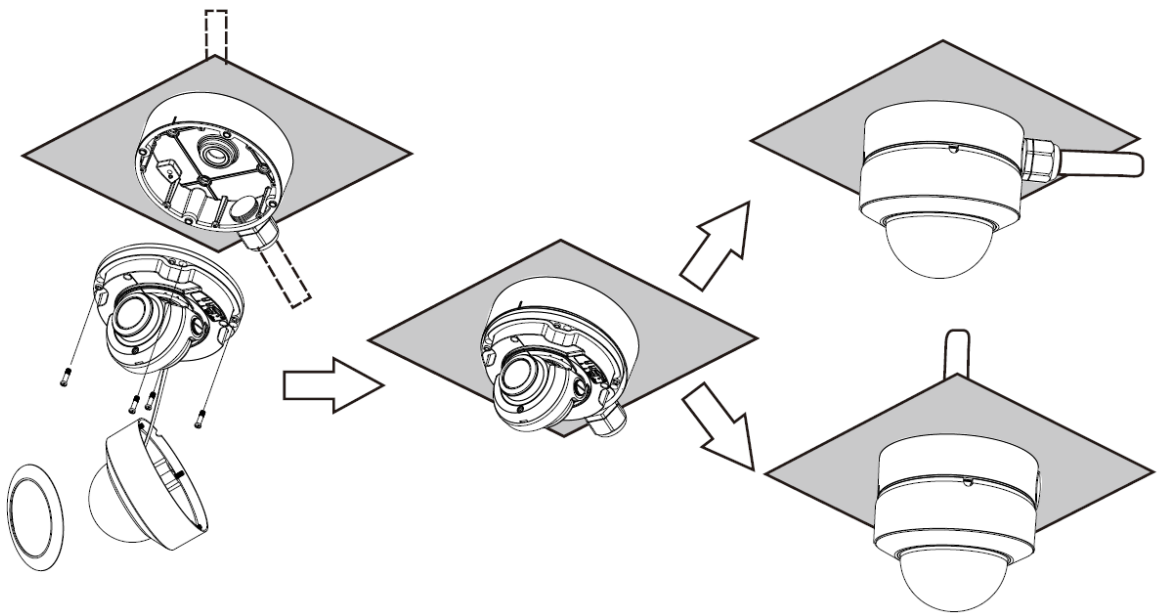
Dimensions



Installation

The steps below show an example installation of **GV-GVD4910** using **GV-Mount510**.

1. Secure the junction box to the wall or ceiling with screws.
2. Rotate the trim ring anticlockwise to remove it from the camera and then loosen the screws to open the lower dome.
3. Route and connect these cables. Then fasten the camera to the junction box with screws.
4. Adjust the view of the angle and the image.
5. Install the lower dome and the trim ring back to the camera.



13. Junction Box Mounting with GV-Mount512



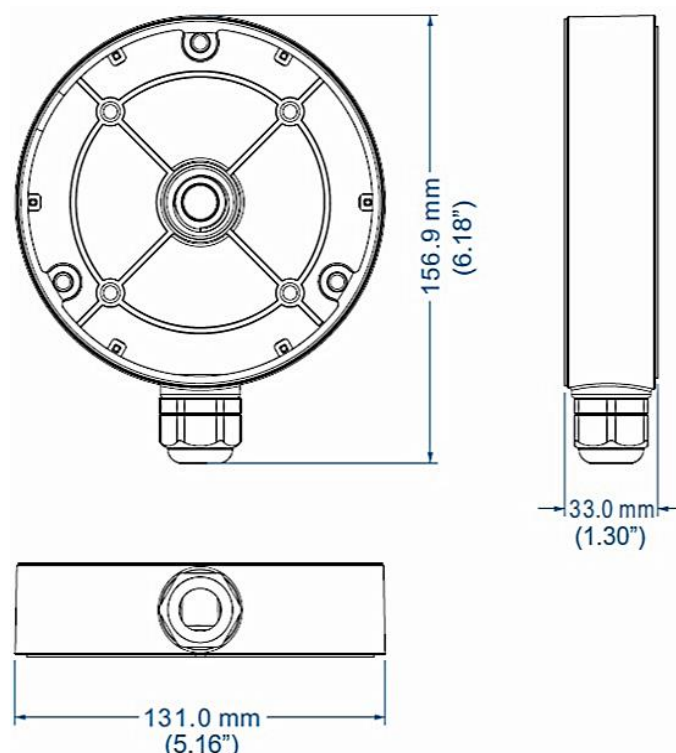
Packing List

1. GV-Mount512 Junction Box	2. Screw (M4 x 10 mm) x 3
3. Screw (M4 x 25 mm) x 4	4. Screw Waterproof Ring x 4
5. Plastic Anchor (6 x 29 mm) x 4	6. Drill Template Paster

Applicable Models

- GV-GFER6900 / GFER12800

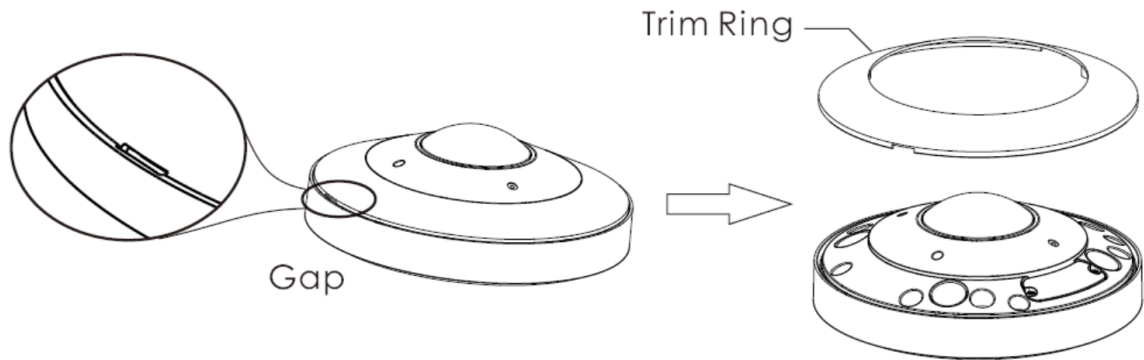
Dimensions



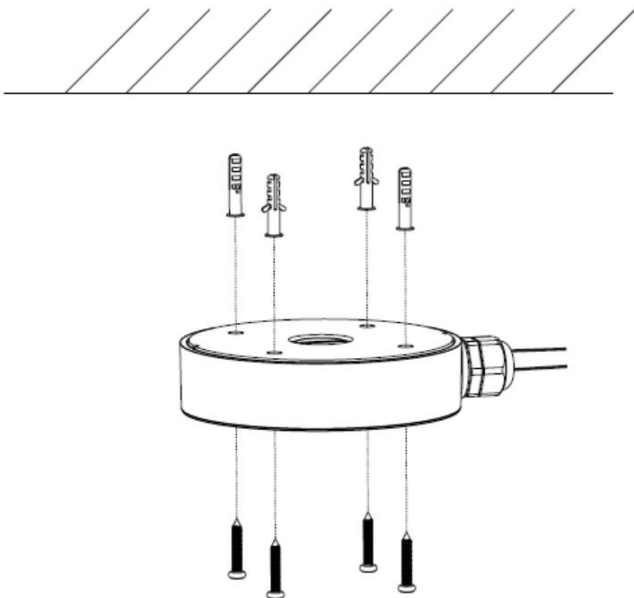
Installation

The steps below show an example installation of **GV-GFER6900** using **GV-Mount512**.

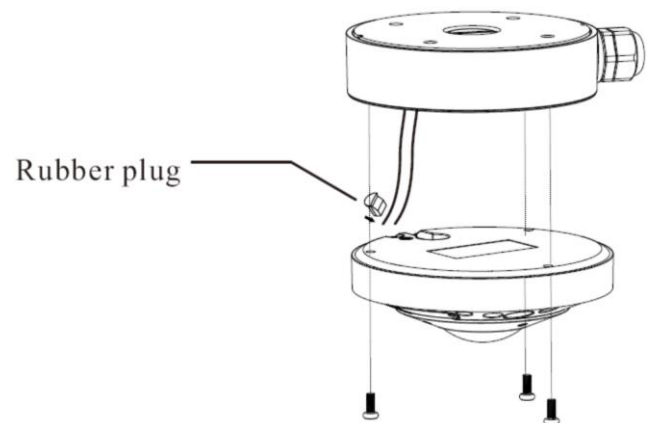
1. Remove the trim ring from the gap of the camera.



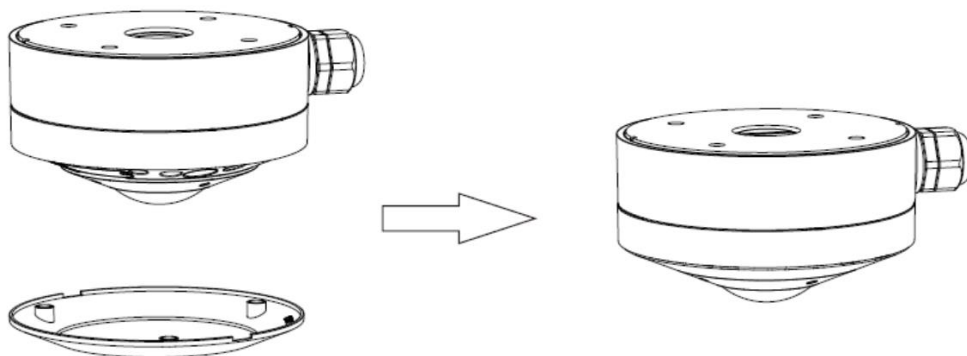
2. Install the junction box onto the wall.



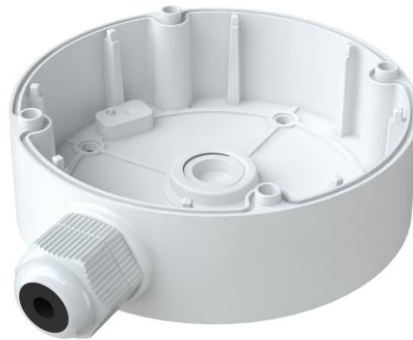
3. Route the cables through the cable hole (take side conduit cabling for example) and connect the cables. Then fasten the camera onto the junction box with screws.



4. Reinstall the trim ring to finish the installation.



14. Junction Box Mounting with GV-Mount515 / 517



Packing List

GV-Mount515

1. GV-Mount515 Junction Box	2. Screw (M4 x 12 mm) x 4
3. Self-Tapping Screw (M4 x 25 mm) x 4	4. Plastic Anchor (6 x 29 mm) x 4
5. Silicon Ring for PG Connector	6. Drill Template Paster

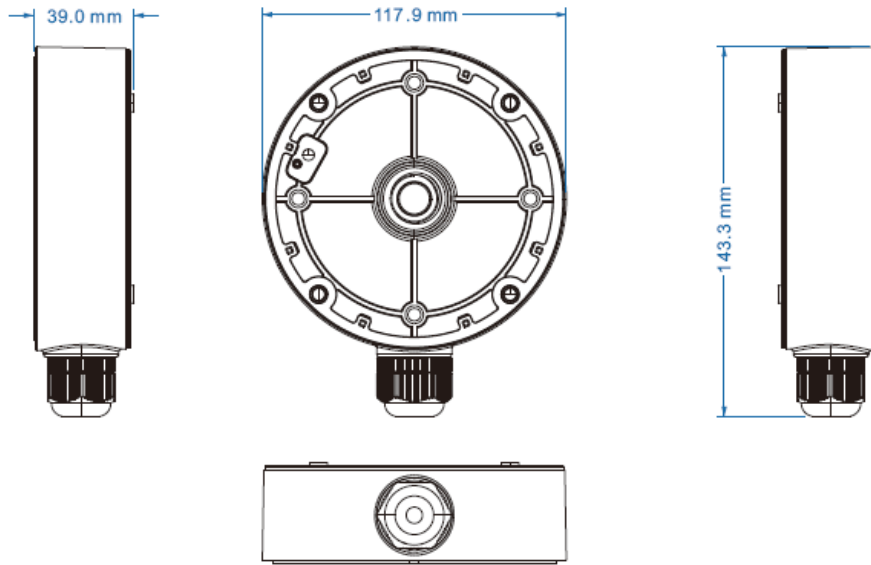
GV-Mount517

1. GV-Mount517 Junction Box	2. Phillips Round Head Screw (M4 x 16 mm) x 4
3. Self-Tapping Screw (M4 x 25 mm) x 4	4. Screw Waterproof Ring x 4
5. Plastic Anchor (6 x 29 mm) x 4	6. Silicon Ring for PG Connector
7. Drill Template Paster	

Applicable Models

- **GV-Mount515:** GV-GPTZ4810
- **GV-Mount517:** GV-GDRF4800 / GDRN4800

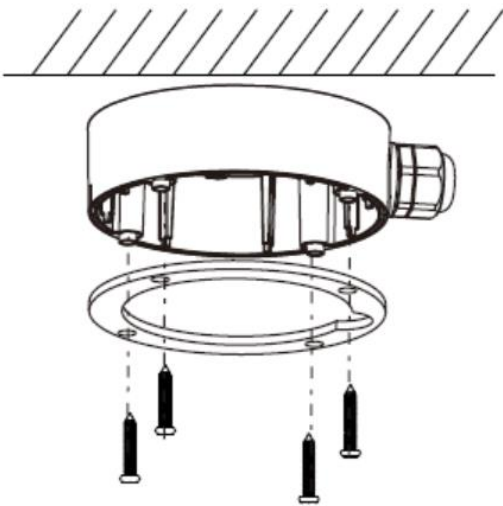
Dimensions



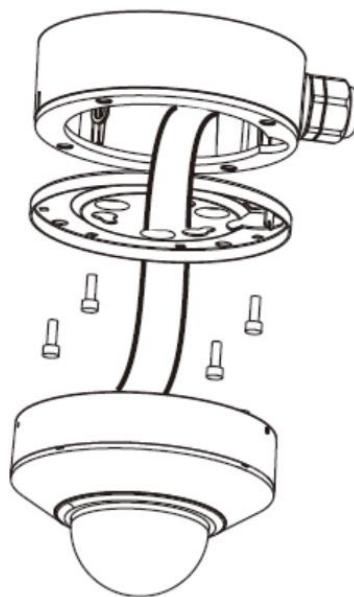
Installation

The steps below show an example installation of **GV-GPTZ4810** using **GV-Mount515**.

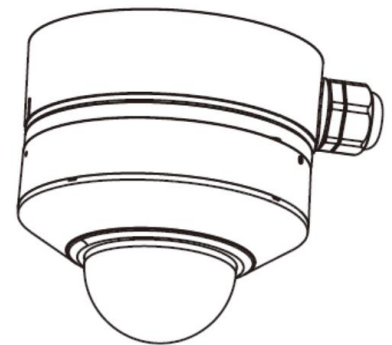
1. Install the junction box onto the wall with screws.



2. Route the cables through the cable hole and connect the cables. Then fasten the camera onto the junction box with screws.



3. The installation is complete.



15. In-Ceiling Bracket Mounting with GV-Mount925



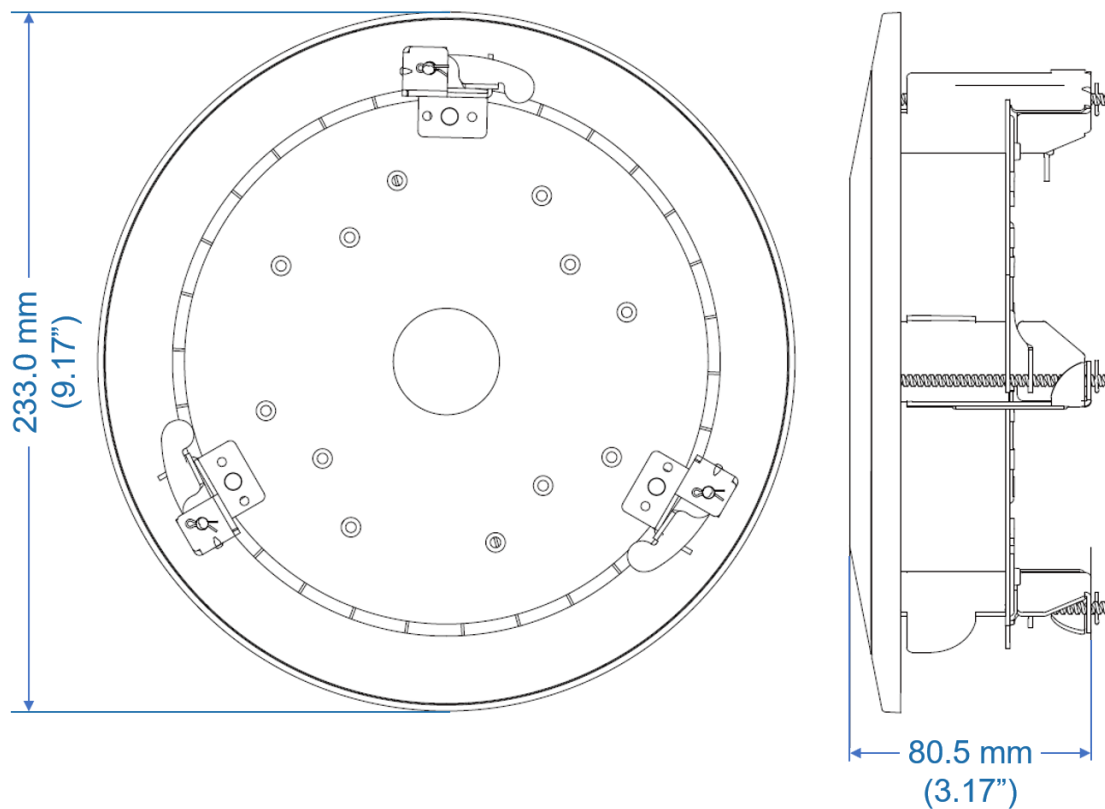
Packing List

1. GV-Mount925 In-Ceiling Mounting Bracket	2. Screw (M4 x 10 mm) x 4
3. Drill Template Paster	

Applicable Models

- GV-GVD4810 / GVD4910

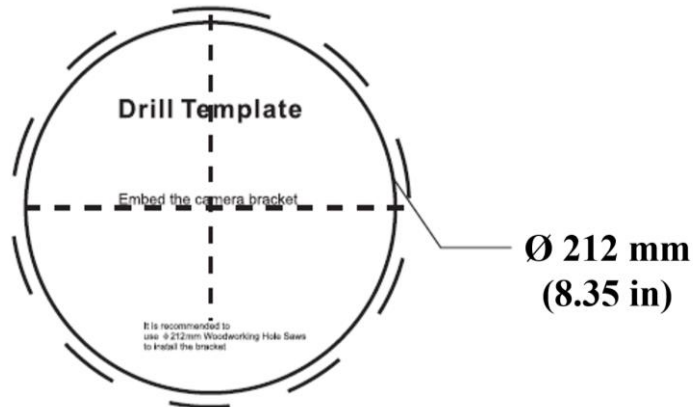
Dimensions



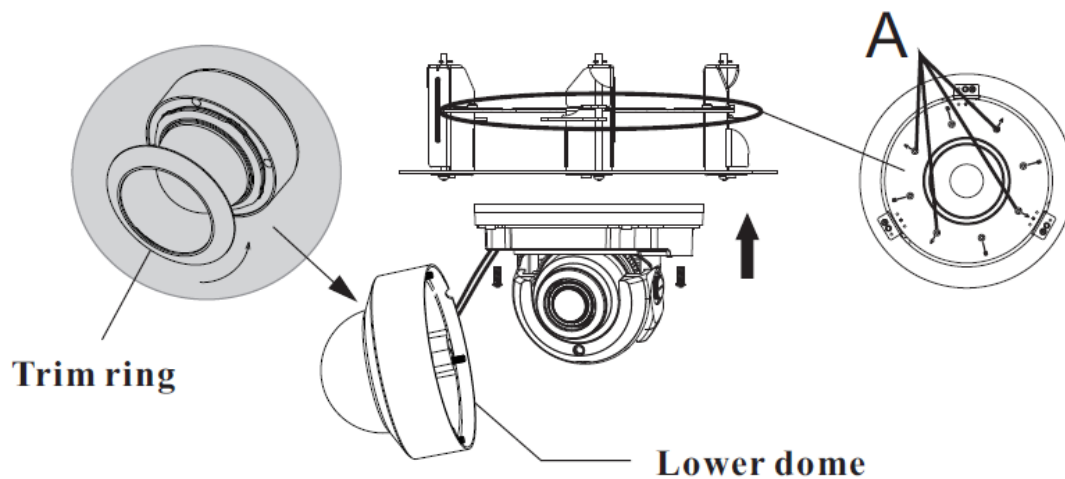
Installation

The steps below show an example installation of **GV-GVD4910** using **GV-Mount925**.

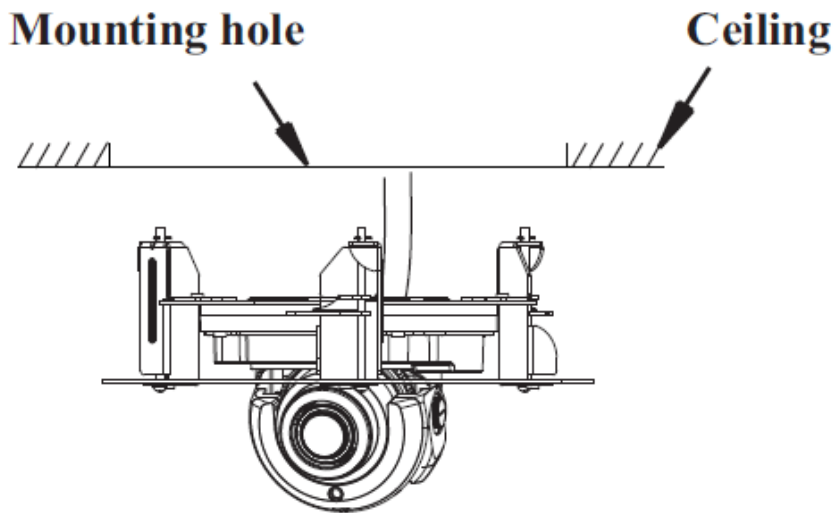
1. Attach the drill template to the ceiling where you want to install the dome camera. Then cut a hole according to the drill template. Note that +2 mm of the circle diameter is allowed.



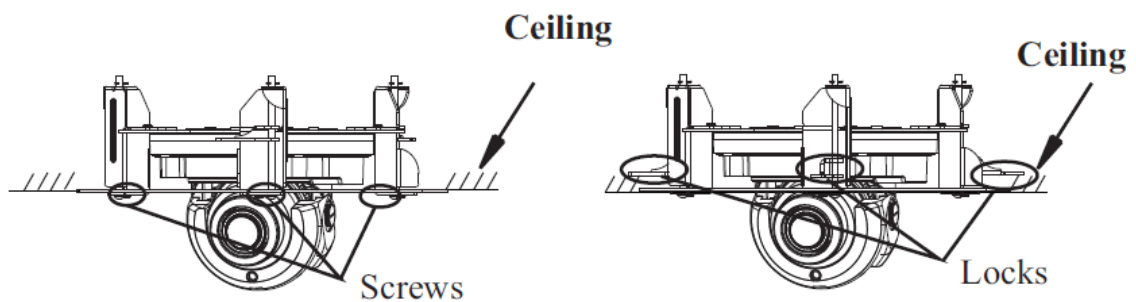
2. Rotate the trim ring anticlockwise to remove it. Then remove the lower dome of the camera by loosening the screws. After that, place the in-ceiling bracket on the dome camera and make sure the screw holes of the dome camera are aligned with the screw holes of the bracket marked with "A". Then fix the camera to the bracket with screws.



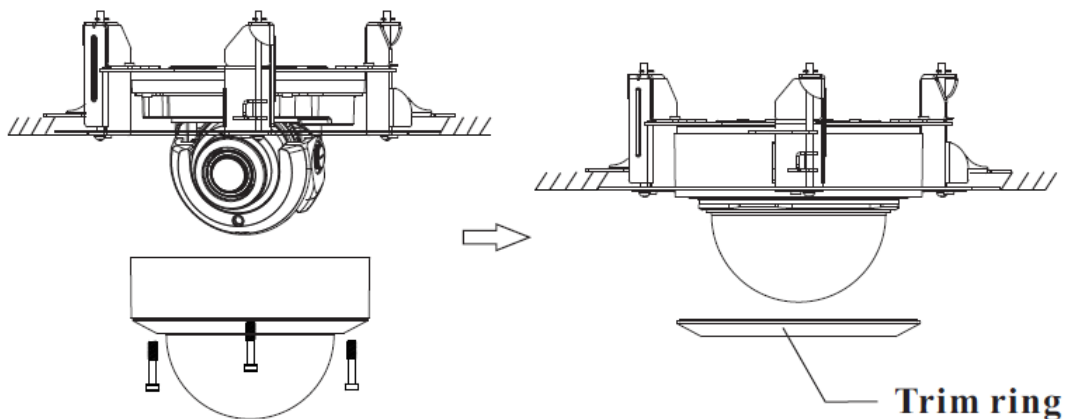
3. Route the cables through the ceiling and connect the cables. Then push the dome camera with the bracket into the mounting hole in the ceiling.



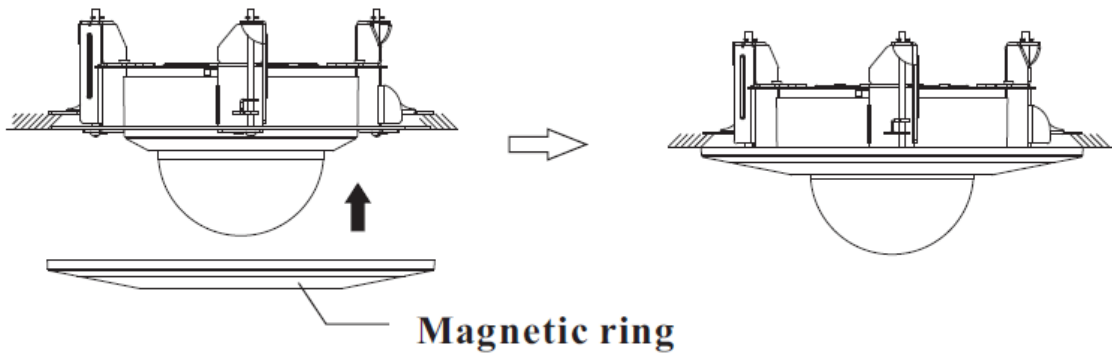
4. Tighten the lock screws with the screwdriver and the locks will automatically rotate outwards to secure the dome camera to the ceiling. Then adjust the view angle of the camera.



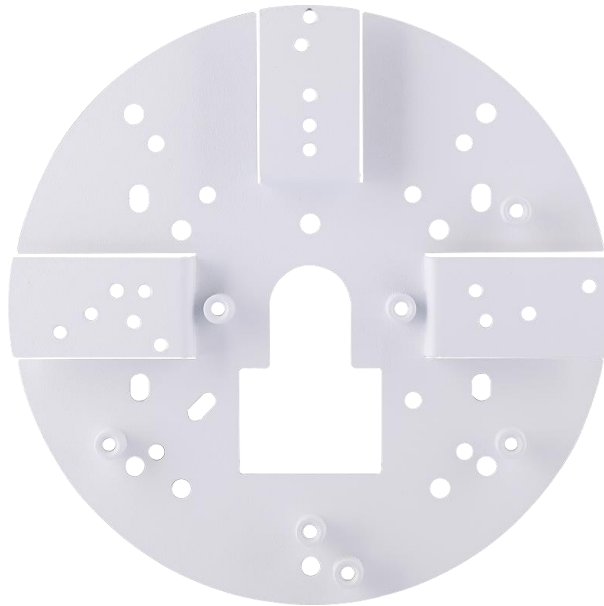
5. Install the lower dome back to the camera. Then put the trim ring onto the lower dome and rotate it clockwise until it is locked.



6. Install the magnetic ring of the bracket.



16. Power Box Bracket Mounting with GV-Mount927



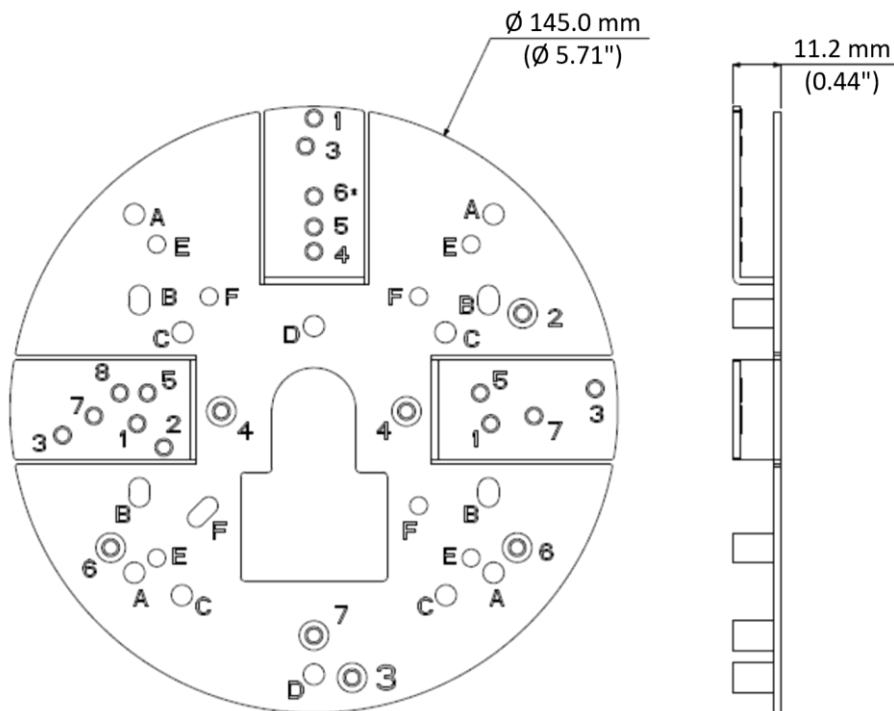
Packing List

1. GV-Mount927 Power Box Mount Bracket (for standard US single and double gang boxes only)	2. Screw (M4 x 8 mm) x 4
3. Mounting Hole Configuration Description	

Applicable Models

- GV-GDR2801 / GDR4900 / GDRF4800 / GDRN4800
- GV-CEB4811 / GEB4900 / GEBF2802 / GEBF4802 / GEBF4911 / GEBN4800 / GEBP8900
- GV-GFER6900 / GFER12800
- GV-GVD4810 / GVD4910
- GV-3D People Counter V3

Dimensions



Note: The above figure shows the front of GV-Mount927.

Installation

To install GV-IP Cameras using **GV-Mount927**, follow the steps below.

1. Secure GV-Mount927 to the attached component (power box or VESA mount) at the back of the mount using the mounting holes listed in the table below. Alternatively, GV-Mount927 can be secured directly to the wall using holes E–F.

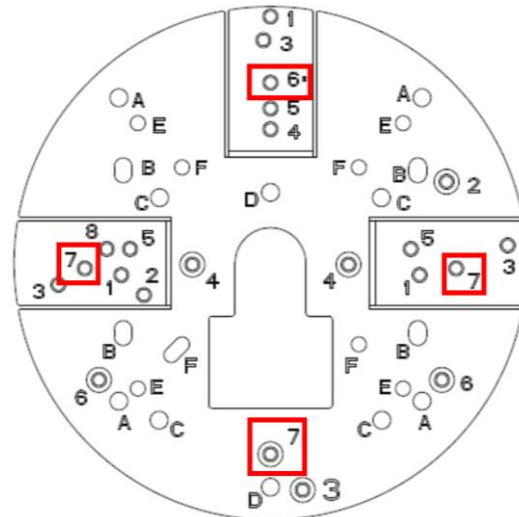
Screws must be inserted from the front of GV-Mount927. For the location of each hole, see the figure above in the *Dimensions* section.

Type of Power Box	Hole
4" Square	A
Double Gang	B
4" Octagon	C
Single Gang	D
Type of Screw Hole	Hole
(1) 75*75mm VESA Mount or (2) Locked to the wall	E
(1) 50*50mm VESA Mount or (2) Locked to the wall	F

2. For fixed dome cameras, unscrew the transparent dome cover before mounting.
3. Thread the camera's cables through GV-Mount927 and secure the camera onto the front of the mount with the supplied screws using the mounting holes listed in the table below. For the location of each hole, see the figure above in the *Dimensions* section.

Type of Camera	Hole
GV-GDR2801	1
GV-GDR4900	2
GV-GVD4910, GV-GVD4810	3
GV-GEB4900, GV-GEBF4802, GV-GEBF2802	4
GV-GEBN4800, GV-GEBF4911, GV-CEB4811, GV-GEBP8900	5
GV-GFER6900, GV-GFER12800	6
GV-GDRF4800, GV-GDRN4800	7+6*
GV-3D People Counter V3	8+5

Example (GV-GDRF4800): Use mounting holes 7 and 6*, as shown in the figure below.



4. For fixed dome cameras, reattach the transparent dome cover to the camera after installation.