

GV-IPSH30 Network Horn Speaker



Introduction

The GV-IPSH30 network horn speaker plays audio data received from the network. When integrated with the GV-Control Center central monitoring system, its live speak can be used to deter unwanted visitors, prevent potential crimes, and provide directions. It can also play prerecorded messages for business or security purposes, such as important announcements, safety instructions, and emergency alerts.

The GV-IPSH30 network horn speaker, with IP66 ingress protection, can withstand years of outdoor installation. It is ideal for campus, traffic intersections, prisons, factories, parking lots, shopping malls, and other locations requiring loudspeakers and local amplification.

Key Features

- Integration with the central monitoring system GV-Control Center
- Live speak for deterrence and instruction
- Prerecorded message playback
- Compatible with SIP and ONVIF (RTSP) protocols
- DC 24V / PoE (PoE splitter required)
- IP66 Ingress protection
- CE, FCC compliant

Specifications

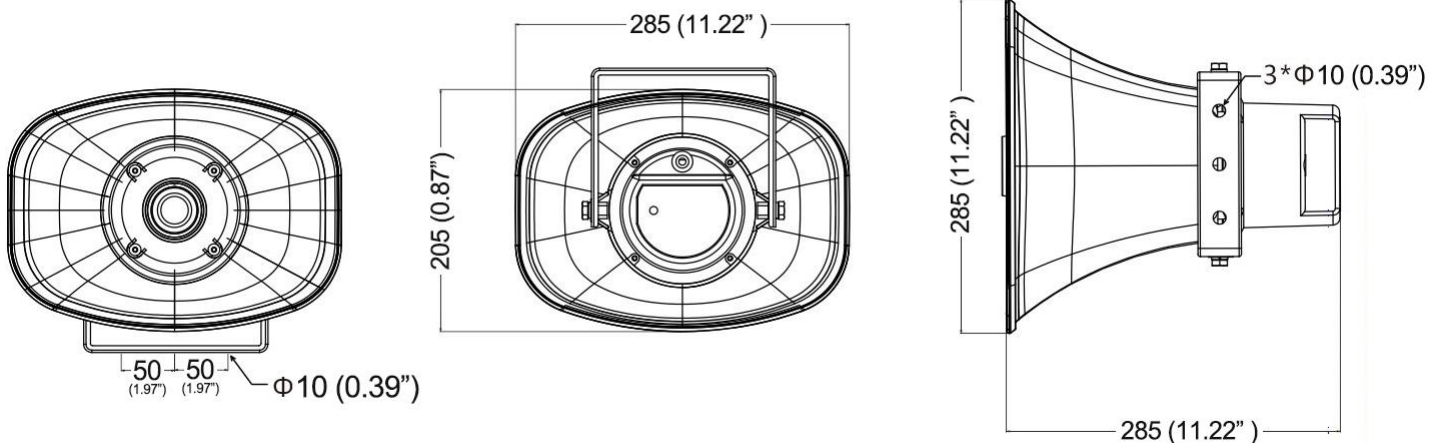
Network	
Network Interface	RJ-45 connector, 10/100 Ethernet
Protocol	TCP/IP, UDP, IGMP, ICMP, ARP, SIP, ONVIF
Audio	
Audio Format	PCM (uncompressed format)
Restart Time after Power and Network Disconnection	<1 s
Network Delay	File playback: less than 50 ms; real-time speech: less than 150 ms
Transmission Rate	10/100 Mbps

Audio Mode	Network data packet
Amplifier Frequency Response	20 Hz ~ 20 KHz
Harmonic Distortion	≤0.3%
SNR	>90 dB
Rated Output	Built-in 30 W digital amplifier
Speaker Unit	1.5" tweeter
Reated power of speaker unit	30 W
Speaker Sensitivity (1 W / 1 m)	108 dB
Max SPL (Rated / 1 m)	123 dB
Speaker Frequency Range (-10 dB)	3000 Hz ~ 8 kHz
General	
Usage	Outdoor
Operating Temperature	-25°C ~ 55°C (-13°F ~ 131°F)
Operating Humidity	≤95%
Power Consumption	≤ 40 W
Dimensions (W x H x D)	285 x 205 x 285 mm (11.22" x 0.87" x 11.22")
Net weight	2.0 kg (4.41 lb)
Input power	External power supply DC 24V; 24V PoE power supply (PoE splitter required)
Mounting	U-shaped mounting bracket
Material	Housing: high strength ABS
Housing Color	White
Ingress Protection	IP66
Certification	CE, FCC compliant

Note:

1. The data cable of a 5-pin terminal block does not function.
2. A PoE splitter is needed to connect the GV-IP Speaker to a GeoVision PoE switch.
3. Specifications are subject to change without notice.

Dimensions



Packing List

1. IP Speaker
2. Waterproof terminal for network cable
3. 5-Pin Terminal Block
4. Power Adapter
5. Operation Manual

Compatible GeoVision Software

- GV-Control Center V4.2.0 or later

Accessory

Model No.	Name		Details
PD2402G	Gigabit PoE Splitter		The PoE splitter receives a PoE signal via a PoE Switch and splits the Ethernet and power into two separate cables. The PoE splitter allows you to power the IP speaker without installing power outlets and electrical cabling. Input: DC 38~56V; Output: DC 24V, 1.0A, 1000 Mbps

-