

GV-IPSC10 Network Ceiling Speaker



Introduction

The GV-IPSC10 network ceiling speaker plays audio data received from the network. When integrated with the GV-Control Center central monitoring system, its live speak can be used to deter unwanted visitors, prevent potential crimes, and provide directions. It can also play prerecorded messages for business or security purposes, such as important announcements, safety instructions, and emergency alerts.

The GV-IPSC10 network ceiling speaker has a metal basin frame, a face shield and a fireproof metal rear cover. It is ideal for hotels, conference rooms, restaurants, shopping malls, and other indoor locations requiring loudspeakers and local amplification.

Key Features

- Integration with the central monitoring system GV-Control Center
- Live speak for deterrence and instruction
- Prerecorded message playback
- Compatible with SIP and ONVIF (RTSP) protocols
- DC 24V / PoE (PoE splitter required)
- With one local audio input or amplifier output (choose one of the two)
- Sturdy and fireproof design
- CE, FCC compliant

Specifications

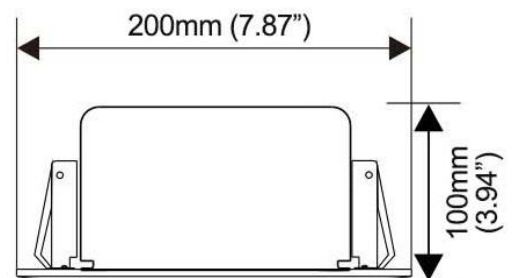
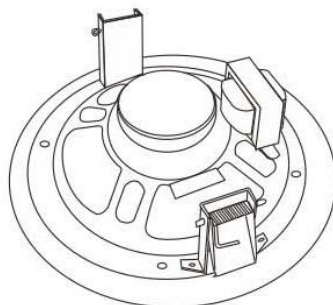
Network	
Network Interface	RJ-45 connector, 10/100 Ethernet
Protocol	TCP/IP, UDP, IGMP, ICMP, ARP, SIP, ONVIF
Audio	
Audio Format	PCM (uncompressed format)
Restart Time after Power and Network Disconnection	<1 s
Network Delay	File playback: less than 50 ms; real-time speech: less than 150 ms
Transmission Rate	10/100 Mbps
Audio Mode	Network data packet

Amplifier Frequency Response	20 Hz ~ 20 KHz
Harmonic Distortion	≤0.3%
SNR	>90 dB
Rated Output	Cabinet built-in 10 W full-range speaker Built-in 2 * 15 W digital amplifier; one amplifier output can be connected to an external fixed-resistance speaker (4 ~ 16 ohms, within 15 W power)
Speaker Unit	6.5" woofer + 0.75" tweeter
Rated Power of Speaker Unit	10 W
Speaker Sensitivity (1 W / 1 m)	90 dB
Max SPL (Rated / 1 m)	100 dB
Speaker Frequency Range (-10 dB)	100 Hz ~ 20 kHz
General	
Usage	Indoor
Operating Temperature	-20°C ~ 60°C (-4°F ~ 140°F)
Operating Humidity	10% ~ 90%
Power Consumption	≤ 40 W
Dimensions	∅ 200 x 100 mm (7.87" x 3.94")
Hole Size	∅ 170 x 120 mm (6.69" x 4.72"), max ceiling thickness: 25 mm (0.98")
Net weight	1.2 kg (2.65 lb)
Input power	External power supply DC 24V; 24V PoE power supply (PoE splitter required)
Audio Input Interface	2P Phoenix terminal (choose either «AUX IN» for local audio input or «to Speaker» for amplifier output)
Enclosure Color	Bright white
Certification	CE, FCC compliant

Note:

1. A PoE splitter is needed to connect the GV-IP Speaker to a GeoVision PoE switch.
2. Specifications are subject to change without notice.

Dimensions



Packing List

1. IP Speaker
2. 2-Pin Terminal Block
3. Power Adapter
4. Operation Manual

Compatible GeoVision Software

- GV-Control Center V4.2.0 or later

Accessory

Model No.	Name	Details
PD2402G	Gigabit PoE Splitter	<div data-bbox="560 622 871 757" data-label="Image">  </div> <p data-bbox="903 607 1559 777">The PoE splitter receives a PoE signal via a PoE Switch and splits the Ethernet and power into two separate cables. The PoE splitter allows you to power the IP speaker without installing power outlets and electrical cabling. Input: DC 38 ~ 56V; Output: DC 24V, 1.0A, 1000 Mbps</p>