

# GV-GEBF2802 AI 2MP H.265 Super Low Lux WDR Pro Full Color Warm LED IR Eyeball Dome IP Camera



- AI deep learning: AI Perimeter Protection & Classification (Human, Vehicle)
- 1/2.8" progressive scan CMOS sensor
- Min. illumination at 0.008 lux
- Triple streams from H.265, H.264 or MJPEG
- Up to 30 fps at 1920 x 1080
- Smart warm LED distance up to 30 m (100 ft)
- Intelligent IR
- Wide Dynamic Range Pro (WDR Pro)
- IR distance up to 30 m (100 ft)
- Built-in microphone
- Built-in microSD card slot (SD / SDHC / SDXC) for local storage
- 3-axis mechanism (pan / tilt / rotate)
- Ingress protection (IP67)
- Vandal resistance (IK10 for metal casing)
- DC 12V / PoE (IEEE 802.3af)
- 3D noise reduction
- AI analytics (Line Crossing, Region Intrusion)
- Smart lighting switch between IR LED (for motion detection) and Warm LED (for people, vehicle, and motorcycle detection)
- Motion detection
- Text overlay
- Privacy mask
- 20 languages supported
- ONVIF (Profile G, S, T, M) conformant

## Introduction

GV-GEBF2802 is a 2 MP eyeball dome IP camera, equipped with smart warm LED for full color surveillance during nighttime. The camera supports H.265 video codec to achieve a better compression ratio while maintaining high-quality pictures at reduced network bandwidth. GV-GEBF2802 adheres to IP67 and IK10 standards and can be powered through PoE.

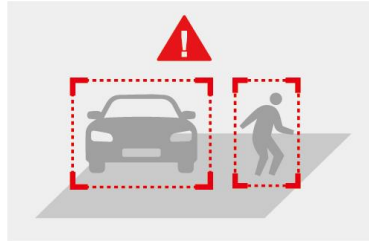
Empowered by deep learning algorithms, AI technology distinguishes humans and vehicles from other moving objects. Integrated with GeoVision Video Management Software (GV-VMS), it supports AI perimeter protection, real-time alert, playback, and more.

## Models

Model	Iris	Focal Length (mm)	Horizontal FOV	Maximum Aperture	Image Format
GV-GEBF2802-2F	Fixed	2.8 mm	107°	F/1.6	1/2.8"
GV-GEBF2802-3F		3.6 mm	89°		

## Deep Learning Function

### AI Perimeter Protection (Line Crossing, Region Intrusion)



## Specifications

Camera					
Image Sensor	1/2.8" progressive scan CMOS				
Picture Elements	1920 (H) x 1080 (V)				
Minimum Illumination	Color	0.008 Lux (F1.6, AGC ON)			
	IR On	0 Lux			
Shutter Speed	Auto / Manual (1/3 ~ 1/100000 sec)				
White Balance	Auto / Manual				
Gain Control	Auto / Manual				
S/N Ratio	50 dB				
WDR Pro	Yes				
Dynamic Range	120 dB				
Lens		GV-GEBF2802-2F	GV-GEBF2802-3F		
Megapixel	2 MP				
Day / Night	Yes (with removable IR-cut filter)				
Lens Type	Fixed				
Focal Length	2.8 mm		3.6 mm		
Maximum Aperture	F/1.6				
Mount	M12				
FOV	Horizontal	107°	89°		
	Vertical	56°	47.5°		
	Diagonal	126°	104°		
Operation	Focus	Fixed			
	Zoom	Fixed			
	Iris	Fixed			
IR LED	Quantity	1 IR LED			
	Max. IR Distance	30 m (100 ft)			
Smart Illumination	LED Quantity	1 Warm LED			
	Max. LED Distance	30 m (100 ft)			
DORI		Detect	Observe	Recognize	Identify
Lens	2.8 mm	41 m (134.5 ft)	16 m (52.4 ft)	8 m (26.2 ft)	4 m (13.1 ft)
	3.6 mm	50 m (164.0 ft)	20 m (65.6 ft)	10 m (32.8 ft)	5 m (16.4 ft)
Operation					
Video Compression	H.265, H.265+, H.264, H.264+, MJPEG				
Video Streaming	Triple streams from H.265, H.264, or MJPEG				
Video Resolution	Main Stream	1920 x 1080 (Default), 1280 x 720			
	Sub Stream	704 x 480, 704 x 576, 640 x 480, 640 x 360 (Default), 352 x 240, 352 x 288			
	Third Stream	704 x 480 (Default), 704 x 576, 480 x 240, 352 x 240, 352 x 288			
Frame Rate	Max. 30 fps (60 Hz) at 1920 x 1080 / 1280 x 720 / 704 x 480 / 640 x 480 / 352 x 240				
	Max. 25 fps (50 Hz) at 1920 x 1080 / 1280 x 720 / 704 x 576 / 640 x 480 / 352 x 288				
* The frame rate and performance may vary depending on the number of connections and data bitrates (different scenes).					

Maximum Throughput	36 Mbps		
Maximum Streams * When the total bitrate is within the maximum throughput	6		
Video Analytics	Motion Detection, Video Exception Detection (Abnormal Color Detection, Scene Change, Video Blur), Object Abandoned/Missing Detection		
Smart Alarm	Cable Disconnection, IP Address Conflict, SD Card Error, SD Card Full		
Image Setting	Brightness, Contrast, Hue, Saturation, Sharpness, 3D Noise Reduction, BLC, Antiflicker, White Balance, Shutter, Gain, Image Orientation (Flip, Mirror, 0°, 90°, 180°, 270° – including Corridor format)		
Audio Compression	G.711		
Audio Support	One-way audio		
<b>Deep Learning Function</b>			
AI Analytics	Line Crossing, Region Intrusion *The two functions can only be enabled one at a time.		
<b>Network</b>			
Interface	10/100 Ethernet		
Protocol	802.1x, DDNS, DHCP, FTP, HTTP POST, HTTP, HTTPS, IPv4, IPv6, NTP, ONVIF (Profile G, S, T, M), PPPoE, QoS, RTCP, RTMP, RTP, RTSP, SMTP, SNMP, UDP, UPnP		
<b>Mechanical</b>			
Camera Angle Adjustment	Pan	0 ~ 360°	
	Tilt	0 ~ 75°	
	Rotate	0 ~ 360°	
Connectors	Power	DC jack	
	Ethernet	Ethernet	RJ-45 connector
		Audio	Built-in microphone
	External microphone required		Yes (audio jack, 3.5 mm or 0.14 in)
	Built-in speaker		No
	External speaker required		No
		* Choose either the built-in or external microphone.	
		* The Audio In port only supports microphones with a power supply.	
Local Storage	microSD card slot (SD / SDHC / SDXC), up to 256 GB		
<b>General</b>			
Operating Temperature	-30°C ~ 60°C (-22°F ~ 140°F)		
Humidity	0 ~ 95% (no condensation)		
Power Source	DC 12V, 1A / PoE (IEEE 802.3af)		
Max. Power Consumption	6 W		
Dimensions	Ø 94.6 x 82.8 mm (Ø 3.7 x 3.3 in)		
Weight	0.45 kg (0.99 lb)		
Ingress Protection	IP67		
Vandal Resistance	IK10 for metal casing		
Certification	CE, FCC, LVD, RoHS, UKCA compliant		
<b>Web Interface</b>			
Installation Management	Web-based configuration		
Maintenance	Firmware upgrade through Web Browser or Utility		
Access from Web Browser	Live View, Playback, Video Recording, Image Quality, Bandwidth Control, Image Snapshot, Digital Zoom, Text Overlay, Image Masking, Intelligent Mark		
Language	Chinese Traditional, Czech, Dutch, English, French, German, Greek, Hungarian, Italian, Japanese, Korean, Norwegian, Polish, Portuguese, Romanian, Russian, Spanish, Spanish (Latin America), Turkish, Ukrainian		
<b>Software Applications</b>			
Software Supported	GV-VMS (V17.4.8 / V18.3.5 or later, patch files required / V20.0.1 or later), GV-Edge Recording Manager (V2.3.1 or later), GV-Control Center (V4.2.1 or later, patch files required), GV-Recording Server (V2.1.1 or later, patch files required), GV-IP Device Utility (V9.0.5 or later)		
Smart Device Access	GV-Eye for iOS and Android (V3.5.0 or later)		
Live Viewing	Web Browser (Edge, IE mode in Edge, Chrome, Firefox, Safari), Mobile App		

**Note:** All specifications are subject to change without notice.

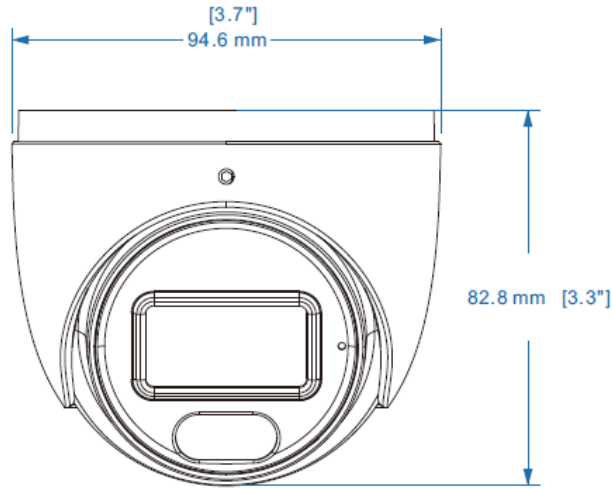
## Packing List

1. GV-GEBF2802 Eyeball Dome
2. Waterproof Rubber Set
3. Screw Kit
4. Drill Template Paster
5. Download Guide

## Accessories

Model No.	Name		Details
GV-Mount211-4	Wall Mount Bracket		Dimensions: 129.5 x 155 x 74.5 mm (5.10 x 6.10 x 2.93 in) Weight: 0.53 kg (1.16 lb)
GV-Mount211-8 (must be used with GV-Mount506-1)	Wall Mount Bracket		Dimensions: 188.4 x 121 x 137.3 mm (7.41 x 4.76 x 5.4 in) Weight: 0.52 kg (1.15 lb)
GV-Mount314 (must be used with GV-Mount211-8 + GV-Mount506-1, or GV-Mount506-1)	Corner Mount Bracket		Dimensions: 215 x 121.4 x 215 mm (8.46 x 4.78 x 8.46 in) Weight: 2.05 kg (4.52 lb)
GV-Mount470 (must be used with GV-Mount211-8 + GV-Mount506-1, or GV-Mount506-1)	Pole Mount Bracket		Dimensions: 163.3 x 54.5 x 215 mm (6.43 x 2.15 x 8.46 in) Weight: 1.10 kg (2.43 lb)
GV-Mount506-1	Junction Box		Dimensions: 117.9 x 143.3 x 47 mm (4.64 x 5.64 x 1.85 in) Weight: 0.38 kg (0.84 lb)
GV-Mount507	Junction Box		Dimensions: Ø 96 x 38.8 mm (Ø 3.78 x 1.53 in) Weight: 0.135 kg (0.30 lb)
GV-Mount927 (for standard US single and double gang boxes only)	Power Box Mount Bracket		Dimensions: Ø 145 x 11.2 mm (Ø 5.71 x 0.44 in) Weight: 0.2 kg (0.44 lb)
GV-PA191	PoE Adapter		GV-PA191 is a Power over Ethernet (PoE) adapter designed to provide power to the IP device through a single Ethernet cable.
GV-PA301	Gigabit PoE Adapter		GV-PA301 is a Gigabit Power over Ethernet (PoE) adapter.
GV-POE Switch			GV-POE Switch is designed to provide power along with network connection for IP devices. The GV-POE Switch is available in various models with different numbers and types of ports.
Power Adapter			Contact our sales representatives for the countries and areas supported.

**Dimensions**



**Mounting Type**

Wall Bracket Mount GV-Mount211-4	Junction Box Mount GV-Mount506-1	Junction Box Mount GV-Mount506-1	Pole Bracket Mount GV-Mount470

Junction Box Mount GV-Mount507	Junction Box Mount GV-Mount506-1	Wall Bracket Mount GV-Mount211-8

Junction Box Mount GV-Mount506-1	Wall Bracket Mount GV-Mount211-8	Pole Bracket Mount GV-Mount470
-------------------------------------	-------------------------------------	-----------------------------------



Junction Box Mount GV-Mount506-1	Corner Bracket Mount GV-Mount314
-------------------------------------	-------------------------------------



Junction Box Mount GV-Mount506-1	Wall Bracket Mount GV-Mount211-8	Corner Bracket Mount GV-Mount314
-------------------------------------	-------------------------------------	-------------------------------------

