

## GV-GBL4900 Cloud AI 4MP H.265 Super Low Lux WDR Pro IR Bullet IP Camera



- Direct-to-Cloud
- AI deep learning: AI Perimeter Protection & Classification (Human, Vehicle)
- 1/3" progressive scan CMOS
- Triple streams from H.265, H.264 and MJPEG
- Min. illumination at 0.005 lux
- Up to 30 fps at 2688 x 1520
- Intelligent IR
- IR distance up to 50 m (165 ft)
- Day and Night function (with removable IR-cut filter)
- Ingress protection (IP67)
- Vandal resistance (IK10 for meting casing)
- DC 12V / PoE (IEEE 802.3af)
- Built-in microSD card slot (SD / SDHC / SDXC) for local storage
- Two-way audio capable
- Built in microphone
- Wide Dynamic Range Pro (WDR Pro)
- Defog
- GV-Center V2 connection
- AI analytics (Line Crossing, Region Entrance, Region Exiting, Region Intrusion, Target Counting, Heat Map, Loitering Detection, Illegal Parking Detection, Face Detection, Video Metadata)
- Motion detection
- Text overlay
- Privacy mask
- 19 languages supported
- ONVIF (Profile G, S, T, M) conformant

### Introduction

GV-GBL4900 is an outdoor bullet IP camera equipped with an automatic IR-cut filter and IR LEDs for day and night surveillance. The camera supports H.265 video codec to achieve a better compression ratio while maintaining high-quality pictures at reduced network bandwidth. GV-GBL4900 adheres to IP67 and IK10 standards, and can be powered through PoE.

Empowered by deep learning algorithms, its AI technology distinguishes humans and vehicles from other moving objects. When integrated with GeoVision Video Management Software (VMS), it supports AI perimeter protection, real-time alert, event playback, and more. By connecting the camera to the cloud-based data center and video surveillance solution, GV-Cloud VMS, thousands of on-site videos, alarm devices, and AI events can be monitored and managed from a single platform.

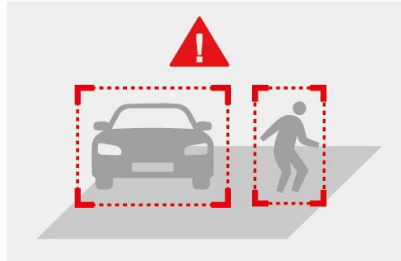
## Deep Learning Function

### Face Detection

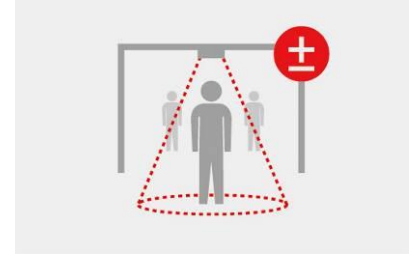


### AI Perimeter Protection

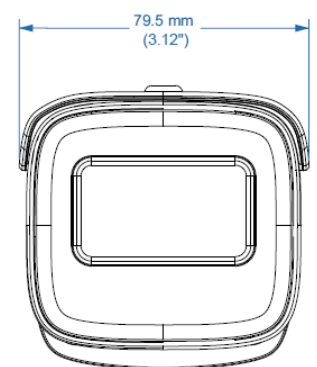
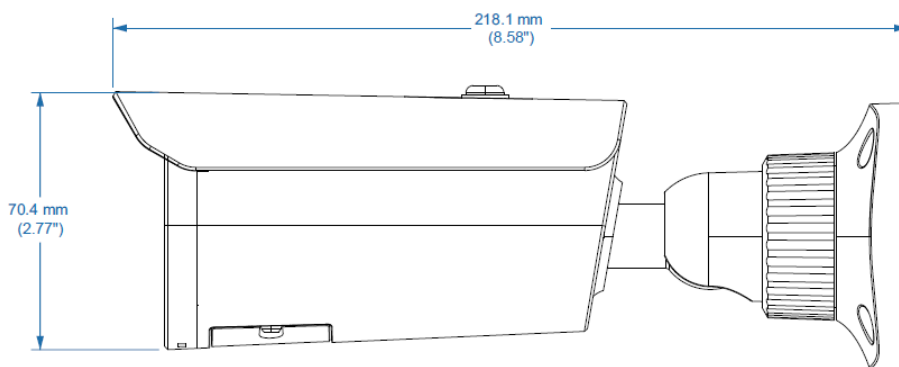
(Region Intrusion, Line Crossing, Region Entrance, Region Exiting)



### People Counting



## Dimensions



## Specifications

Camera		
Image Sensor	1/3" progressive scan CMOS	
Picture Elements	2688 (H) x 1520 (V)	
Minimum Illumination	Color	0.005Lux (F1.6, AGC ON)
	IR On	0 Lux
Shutter Speed	Automatic, Manual (1/3 ~ 1/100000 sec)	
White Balance	Automatic, Manual	
Gain Control	Automatic, Manual	
S/N Ratio	50 dB	
WDR Pro	Yes	
Dynamic Range	120 dB	
Lens		
Megapixel	4 MP	
Day/Night	Yes (with removable IR-cut filter)	
Focal Length	2.8 mm	
Lens Type	Fixed	
Maximum Aperture	F/1.6	
Mount	M12	
FOV	Horizontal	95.3°
	Vertical	53.2°
	Diagonal	115.0°
Operation	Focus	Fixed
	Zoom	Fixed
	Iris	Fixed
IR LED Quantity	2 IR LEDs	
Max. IR Distance	50 m (165 ft)	

DORI		Detect	Observe	Recognize	Identify	
Lens	2.8 mm	60.6 m (198.8 ft)	24.8 m (81.3 ft)	12.1 m (39.6 ft)	6.0 m (19.6 ft)	
<b>Operation</b>						
Video Compression		H.265, H.265+, H.264, H.264+, MJPEG				
Video Streaming		Triple streams				
Video Resolution	Main Stream	2688 x 1520 (Default), 2592 x 1520, 2560 x 1440, 2304 x 1296, 1920 x 1080				
	Sub Stream	1280 x 720 (Default), 704 x 576, 704 x 480, 640 x 480, 640 x 360, 480 x 240, 352 x 288, 352 x 240				
	Third Stream	1280 x 720 (Default), 704 x 576, 704 x 480, 480 x 240, 352 x 288, 352 x 240				
Frame Rate		30 fps at 2688 x 1520 / 2592 x 1520 / 2560 x 1440 / 2304 x 1296 / 1920 x 1080 / 1280 x 720 / 704 x 480 / 640 x 480 / 640 x 360 / 480 x 240 / 352 x 240 (60 Hz) 25 fps at 2688 x 1520 / 2592 x 1520 / 2560 x 1440 / 2304 x 1296 / 1920 x 1080 / 1280 x 720 / 704 x 576 / 640 x 480 / 640 x 360 / 480 x 240 / 352 x 288 (50 Hz) *The frame rate and performance may vary depending on the number of connections and data bitrates (different scenes).				
Maximum Throughput		64 Mbps				
Maximum Streams *When the total bitrate is within the maximum throughput		8 *By default, 2 connections are occupied whether connected to GV-Cloud VMS or not.				
Video Analytics		Motion Detection, Video Exception Detection (Abnormal Color Detection, Scene Change, Video Blur), Object Abandoned/Missing Detection				
Smart Alarm		Audio Exception, Cable Disconnection, IP Address Conflict, SD Card Error, SD Card Full				
Image Setting		Brightness, Contrast, Saturation, Sharpness, Flicker-less, 3D Noise Reduction, Image Orientation (Flip, Mirror, 0°, 90°, 180°, 270°-including Corridor format).				
Dual Redundant Images		Yes (for failsafe firmware upgrade)				
Audio Compression		G.711				
Audio Support		Two-way audio (external speaker required)				
Digital I/O	Input	1 Input, dry contact, NO / NC				
	Output	1 Relay Output (1A 30V DC / 0.3A 125V AC)				
<b>Deep Learning Function</b>						
AI Analytics		Face Event: Face Detection Smart Event: - Line Crossing, Region Entrance, Region Exiting, Region Intrusion, Target Counting, Heat Map, Video Metadata: Human & Vehicle classification - Loitering Detection, Illegal Parking Detection  *Face events and smart events cannot be enabled at the same time. *A maximum of 2 smart detection functions are suggested at a time to ensure comprehensive detection results and the optimized performance by the camera. *Once connected to GV-Cloud VMS / GV-Center V2, up to 2 smart detection functions are supported.				
Video Metadata	People	Gender, Age, Top / Bottom (Type, Color), Accessories (Hat, Bag, Face Mask, Glasses)				
	Vehicle	Type, Color, Brand, Model				
	Non-Motor Vehicle	Type				
<b>Network</b>						
Interface		10/100 Ethernet				
Protocol		802.1x, DDNS, DHCP, FTP, HTTP POST, HTTP, HTTPS, IPv4, IPv6, NTP, ONVIF (Profile G, S, T, M), PPPoE, QoS, RTCP, RTMP, RTP, RTSP, SMTP, SNMP, UDP, UPnP				
<b>Mechanical</b>						
Camera Angle Adjustment	Pan	0 ~ 360°				
	Tilt	0 ~ 90°				
	Rotate	0 ~ 360°				
Connectors	Power	DC jack (DC 12 V, 1.25 A), PoE (IEEE 802.3af)				
	Ethernet	RJ-45				
	Audio	Built-in microphone	Yes			
		External microphone required	Yes (audio jack, 3.5 mm or 0.14 in)			
		Built-in speaker	No			
		External speaker required	Yes (audio jack, 3.5 mm or 0.14 in)			
* Choose either the built-in or external option for devices with a microphone or speaker. * The Audio In port only supports microphones with a power supply.						

	Digital I/O	4-pin terminal block pitch 3.5 mm (0.14")
	Local Storage	microSD card slot (SD / SDHC / SDXC), up to 256 GB
<b>General</b>		
Operating Temperature	-30 ~ 60°C (-22 ~ 140°F)	
Humidity	0 ~ 95% (no condensation)	
Power Source	12 V DC / PoE (IEEE 802.3af)	
Max. Power Consumption	10 W	
Dimensions	218.1 x 70.4 x 79.5 mm (8.58 x 2.77 x 3.12 in)	
Weight	0.67 kg (1.48 lb)	
Ingress Protection	IP67	
Vandal Resistance	IK10 for metal casing	
Certification	CE, FCC, RoHS, UKCA compliant	
<b>Web Interface</b>		
Installation Management	Web-based configuration	
Maintenance	Firmware upgrade through Web Browser or Utility	
Access from Web Browser	Live View, Playback, Video Recording, Image Quality, Bandwidth Control, Image Snapshot, Digital Zoom, Text Overlay, Image Masking, Intelligent Mark	
Language	Chinese Traditional, Czech, Dutch, English, French, German, Hebrew, Hungarian, Italian, Japanese, Korean, Norwegian, Polish, Portuguese, Romanian, Russian, Spanish, Spanish (Latin America), Turkish	
<b>Software Applications</b>		
Software Supported	GV-VMS (V17.4.8 / V18.3.3 / V20.0.0 or later), GV-Edge Recording Manager (V2.2.8 or later), GV-Control Center (V4.2.0 or later), GV-Recording Server (V2.1.1 or later), GV-Center V2 (V18.4.1 or later), GV-Cloud VMS (V1.1.0 or later), GV-IP Device Utility (V9.0.0 or later)	
Smart Device Access	GV-Eye for iOS and Android (V3.2.0 or later)	
Live Viewing	Web Browser (Edge, IE mode in Edge, Chrome, Firefox, Safari), Mobile App	

**Note:**






1. To use GV-Cloud VMS, avoid connecting to other GV-Software at the same time.
2. To use GV-Cloud VMS, a microSD card must be installed. Industrial-grade microSD cards are recommended to avoid event recordings writing failure.
3. Upon the initial connection of GV-Cloud IP Cameras to GV-Cloud VMS, the Standard Plan will be provided for free for 180 days.
4. GV-Center V2 Standard / Pro can only receive motion events from GV-Cloud IP Cameras. To receive AI and PVD events, GV-Center V2 AI is required.
5. All specifications are subject to change without notice.

**Packing List**




- |                          |                          |
|--------------------------|--------------------------|
| 1. GV-GBL4900 Bullet     | 4. Drill Template Paster |
| 2. Waterproof Rubber Set | 5. Download Guide        |
| 3. Screw Kit             |                          |

**Accessories**

Model No.	Name	Details
GV-Mount470 (must be used with Mount506 or 507-1)	Pole Mount Bracket	 Dimensions: 163.3 x 54.5 x 215 mm (6.43 x 2.15 x 8.46 in) Weight: 1.10 kg (2.43 lb)

GV-Mount314 (must be used with Mount506 or 507-1)	Corner Mount Bracket		Dimensions: 215 x 121.4 x 215 mm (8.46 x 4.78 x 8.46 in) Weight: 2.05 kg (4.52 lb)
GV-Mount506	Junction Box		Dimensions: 139.3 x 171.6 x 50 mm (5.48 x 6.76 x 1.97 in) Weight: 0.51 kg (1.13 lb)
GV-Mount507	Junction Box		Dimensions: Ø 96 x 38.8 mm (Ø 3.78 x 1.53 in) Weight: 0.135 kg (0.30 lb)
GV-Mount507-1	Junction Box		Dimensions: Ø 111.7 x 55 mm (Ø 4.40 x 2.17 in) Weight: 0.33 kg (0.73 lb)
GV-PA191	PoE Adapter		GV-PA191 is a Power over Ethernet (PoE) adapter designed to provide power to the IP device through a single Ethernet cable.
GV-PA301	Gigabit PoE Adapter		GV-PA301 is a Gigabit Power over Ethernet (PoE) adapter.
GV-POE Switch	GV-POE Switch is designed to provide power along with network connection for IP devices. The GV-POE Switch is available in various models with different numbers and types of ports.		
Power Adapter	Contact our sales representatives for the countries and areas supported.		

### Mounting Type

Junction Box Mount GV-Mount506	Junction Box Mount GV-Mount507	Junction Box Mount GV-Mount507-1
		

Junction Box Mount	Pole Bracket Mount	Junction Box Mount	Pole Bracket Mount
GV-Mount506	GV-Mount470	GV-Mount507-1	GV-Mount470
<p>GV-Mount506 GV-Mount470</p>		<p>GV-Mount507-1 GV-Mount470</p>	

Junction Box Mount	Corner Mount Bracket	Junction Box Mount	Corner Mount Bracket
GV-Mount506	GV-Mount314	GV-Mount507-1	GV-Mount314
<p>GV-Mount506 GV-Mount314</p>		<p>GV-Mount507-1 GV-Mount314</p>	