

GV-FD8700-FR 8MP H.265 Low Lux WDR IR Fixed IP Dome



- 1/2.5" progressive scan low lux CMOS
- Min. illumination at 0.04 lux
- Triple streams from H.265 and H.264
- Up to 30 fps at 3840 x 2160
- Megapixel varifocal lens
- P-Iris lens for auto Iris control
- Day and Night function (with removable IR-cut filter)
- Intelligent IR
- Wide Dynamic Range (WDR)
- IR distance of up to 40 m (131.23 ft)
- 3-axis mechanism (pan / tilt / rotate)
- One sensor input and digital output
- Built-in micro SD card slot (SD/SDHC/SDXC/UHS-I, Class 10) for local storage
- DC 12V / PoE (IEEE 802.3af)
- One-way audio
- Defog
- Motion detection
- Tampering alarm
- Face recognition
- Text overlay
- Privacy mask
- IP address filtering
- Recording assigned by GV-Edge Recording Manager ([Windows](#) & [Mac](#))
- Supports iPhone, iPad, Android & 3GPP
- 4 languages on Web interface
- ONVIF (Profile S) conformant

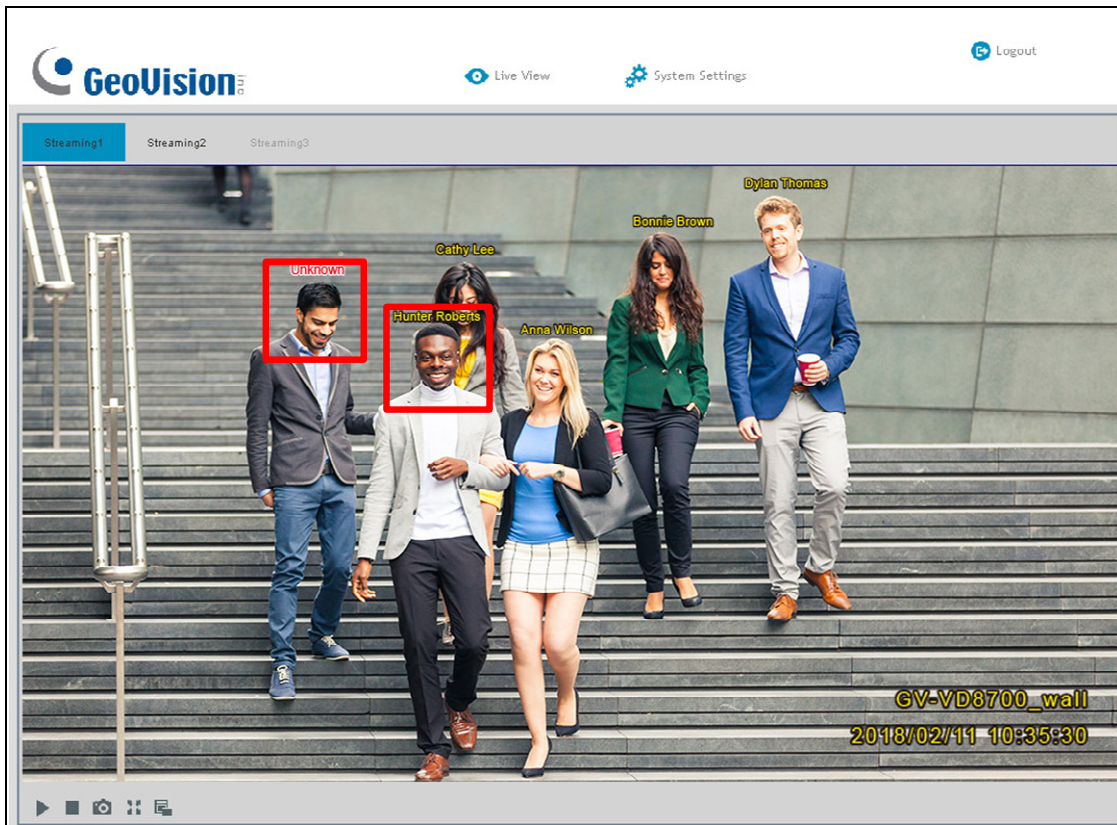
* No memory card slot & local storage function for Argentina

Introduction

GV-FD8700-FR Fixed IP Dome camera features cutting-edge face recognition technology that allows users to identify important personnel from its database, on the fly. Up to 10,000 face profiles can be defined in the camera's database, and also categorized to meet various corporate needs, such as facilitating customer service or security management and more. The camera's face recognition mechanism is effective for a distance of up to 4 m (13.12 ft) while able to identify up to 10 persons simultaneously. With a recognition time of within 2 seconds, it can quickly identify VIP guests and/or potential intruders. When integrated with GV-VMS, the camera's face recognition can be used to trigger alerts according to the predefined rules, thereby providing an improved, reliable security management.

As an indoor camera, GV-FD8700-FR can support H.265 video codec to achieve better compression ratio while maintaining high-quality pictures at reduced network bandwidths. For night operations, the camera is equipped with an IR effective distance of up to 40 m (131.23 ft). Its WDR and Backlight Compensation allow the camera to detect faces in environments with drastic light contrast.

Real-time Face Recognition on Live View



Retrievable Face Events

| Setting License Management Events | | | | | | |
|--|----------------|-------|--|---|----------------|--|
| 2018/02/10 21:47:50 ~ 2018/02/11 21:47:50 | | Query | <input type="checkbox"/> Auto Polling 10 | <input type="checkbox"/> Advance Search | | |
| Show 10 entries | | | | | | |
| Timestamp | Name | Image | Conf0 | Conf1 | Conf2 | |
| Sunday, February 11, 2018 10:44:55 | Unknown | | Mark_Lin 51 | Peter_Liu 44.2 | Ray_Su 43.2 | |
| Sunday, February 11, 2018 10:35:50 | Cathy Lee | | Cathy_Lee 57.3 | Zach_Lin 48.9 | Kylin_Lin 44.3 | |
| Sunday, February 11, 2018 10:48:35 | Hunter Roberts | | Hunter_Roberts 55.9 | Peter_Liu 54.6 | Ray_Su 49.9 | |
| Sunday, February 11, 2018 10:47:57 | Anna Wilson | | Anna Wilson 57.3 | Daniel_Chung 42.4 | Mars_Lin 40.4 | |
| Sunday, February 11, 2018 10:49:51 | Bonnie Brown | | Bonnie Brown 64.9 | Mark_Lin 48.3 | Kim_Lu 41.7 | |
| Sunday, February 11, 2018 10:49:43 | Dylan Thomas | | Dylan Thomas 58.5 | Cesar_Liu 40.6 | York_Yang 37.8 | |

Active Tampering Alarm

Tampered



Focus Change

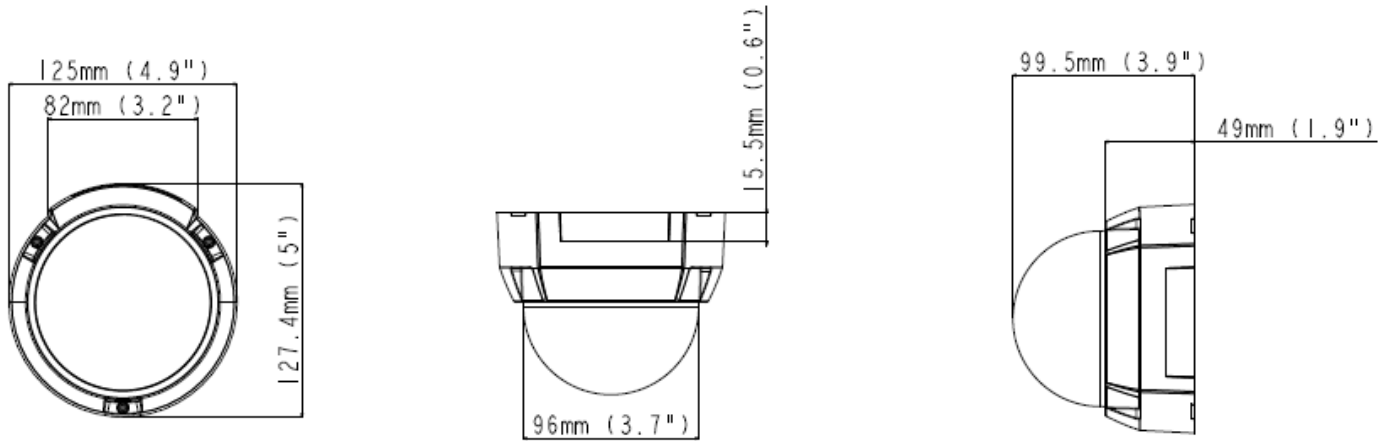


Camera Shift

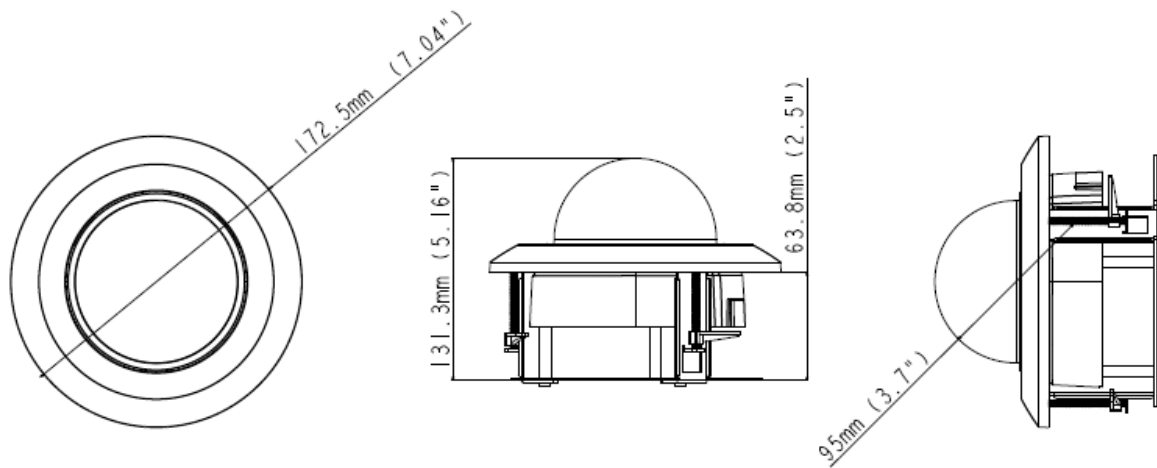


Dimensions

Hard-Ceiling Mount



In-Ceiling Mount



Specifications

| Camera | | |
|----------------------|-------|---------------------------------------|
| Image Sensor | | 1/2.5" progressive scan low lux CMOS |
| Picture Elements | | 3840 (H) x 2160 (V) |
| Minimum Illumination | Color | 0.05 Lux |
| | B/W | 0.04 Lux |
| | IR ON | 0 Lux |
| Shutter Speed | | Automatic, Manual (1/30 ~ 1/8000 sec) |
| White Balance | | Automatic, Manual (2800K ~ 8500K) |
| Gain Control | | Automatic |

| | | |
|-----------------------------------|---|--|
| S/N Ratio | 56 dB | |
| WDR | Yes | |
| Dynamic Range | Up to 96 dB | |
| Lens | | |
| Megapixel | Yes | |
| Day/Night | Yes (with removable IR-cut filter) | |
| Focal Length | 3.3 ~ 12 mm | |
| Lens Type | Varifocal | |
| Maximum Aperture | F/1.4 | |
| Mount | Ø14 mm | |
| Horizontal FOV | 106° ~ 42° | |
| Image Format | 1/2.5" | |
| Operation | Focus | Manual (with lock) |
| | Zoom | Manual (with lock) |
| | Iris | P-Iris |
| Max. Torque (Focus / Zoom Screws) | 0.049 N.m | |
| IR LED Quantity | 20 IR LEDs | |
| Max. IR Distance | 40 m (131.23 ft) | |
| Operation | | |
| Video Compression | H.265, H.264 | |
| Video Streaming | Stream 1 from H.265 or H.264 Stream 2 from H.264 Stream 3 from H.264 | |
| Frame Rate | 30 fps at 3840 x 2160 (60/50 Hz) * The frame rate and the performance may vary depending on the number of connections and data bitrates (different scenes). | |
| Image Setting | Brightness, Contrast, Saturation, Sharpness, White Balance, Flicker-less, Image Orientation, Shutter Speed, D/N Sensitivity, Backlight Compensation, WDR, Defog | |
| Audio Compression | G.711, AAC (Optional) | |
| Audio Support | One-way Audio (external microphone required) | |
| Sensor Input | 1 input (dry contact) | |
| Alarm Output | 1 digital output (200mA 5V DC) | |
| Intelligent Video | | |
| Video Analytics | Motion Detection, Tampering Alarm, Face Detection, Face Recognition | |
| Video Resolution | | |
| Main Stream | 4:3 | 2560 x 1920, 2048 x 1536, 1600 x 1200, 1280 x 960 |
| | 16:9 | 3840 x 2160 (Default), 2560 x 1440, 1920 x 1080, 1280 x 720 |
| Sub Stream | 4:3 | 1024 x 768, 640 x 480, 320 x 240 |
| | 16:9 | 1280 x 720, 640 x 360 (Default) |
| Third Stream | 4:3 | 640 x 480, 320 x 240 |
| | 16:9 | 640 x 360 (Default) |
| Network | | |
| Interface | 10/100 Ethernet | |
| Ethernet Protocol | DHCP, DynDNS, FTP, HTTP, HTTPS, NTP, ONVIF (Profile S), RTSP, SMTP, TCP, UDP | |
| Mechanical | | |
| Temperature Detector | Yes | |
| Camera Angle Adjustment | Pan | 0° ~ 350° |
| | Tilt | 0° ~ 75° |
| | Rotate | 0° ~ 340° |
| Connectors | Power | 2-pin terminal block (DC 12V, 1.25A), PoE |
| | Ethernet | Ethernet (10/100 Base-T), RJ-45 |
| | Audio | 1 In (3.5 mm phone jack for external microphone with power supply) 1 Out (3.5 mm phone jack for speaker) (Currently not functional) |
| | Digital I/O | I/O wires |
| | Local Storage | Micro SD card slot (SD/SDHC/SDXC/UHS-I, Class 10) *UHS-II card type is not supported. |
| LED Indicator | 2 LEDs: Power, Status | |

| General | | |
|-------------------------|-----------------------------------|------------------------------|
| Environment Temperature | Start-up | -20°C ~ 50°C (-4°F ~ 122°F) |
| | Operation | -30°C ~ 50°C (-22°F ~ 122°F) |
| Humidity | 10% to 90% (no condensation) | |
| Power Source | 12V DC / PoE (IEEE 802.3af) | |
| Max. Power Consumption | 11.04 W | |
| Dimension | Ø 125 x 99.5 mm (4.92" x 3.92") | |
| Weight | 470 g (1.04 lb) | |
| Regulatory | CE, FCC, RCM, LVD, RoHS compliant | |

| Power over Ethernet | |
|-----------------------|---|
| PoE Standard | PoE (IEEE 802.3af Power over Ethernet / PD) |
| PoE Power Supply Type | End-Span and Mid-Span |
| PoE Power Output | Per Port 48V DC, 350mA, Max. 15.4 watts |

| Web Interface | |
|-------------------------|---|
| Installation Management | Web-based configuration |
| Maintenance | Firmware upgrade through Web Browser or Utility |
| Access from Web Browser | Camera Live View, Video Recording, Change Video Quality, Bandwidth Control, Image Snapshot, Audio, Picture in Picture, Privacy Mask, Text Overlay |
| Language | English / Japanese / Simplified Chinese / Traditional Chinese |

| Applications | |
|---------------------|---|
| Software Supported | GV-DVR / NVR (V8.8.0), GV-VMS (V17.1.0.100), GV-Control Center (V3.5.1), GV-Edge Recording Manager (V1.4.0), GV-Recording Server / Video Gateway (V1.4.2), GV-Redundant / Failover Server (V1.1.0.0), GV-Mobile Server (V1.5.0.0) *Face recognition and detection is only supported by GV-VMS. |
| Smart Device Access | GV-Eye for iOS and Android |
| Live Viewing | Web browser, Mobile app |

Note:

1. It is required to apply patch files to some of the supported software.
2. Specifications are subject to change without prior notice.



Packing List


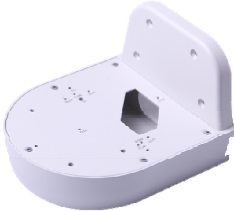
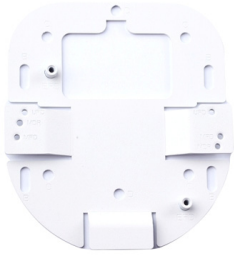




- | | |
|---------------------|--|
| 1. H.265 Fixed Dome | 7. Installation Sticker |
| 2. Screw x 3 | 8. 8 GB Micro SD Card (MLC, SDHC, Class 10) (The Micro SD Card is preinstalled and formatted in the camera) |
| 3. Screw Anchor x 3 | 9. Download Guide |
| 4. Torx Wrench | 10. Warranty Card |
| 5. I/O Wires | |
| 6. Audio Wire x 2 | |

Note: Power adapters can be purchased upon request.

Accessories

| Model No. | Name | | Details |
|-------------|------------------------------------|---|--|
| GV-Mount100 | Straight Tube and Junction Box Kit |  | Dimensions: 200 x 170 x 257.5 mm (7.9" x 6.7" x 10.1") Weight: 3.17 kg (6.99 lb) |

| Model No. | Name | | Details |
|---------------|--|---|--|
| GV-Mount101 | Straight Tube Kit |  | Dimensions: 219 x 125 x 332 mm (8.6" x 4.9" x 13.1") Weight: 1.8 kg (3.97 lb) |
| GV-Mount200 | Wall Pendant Tube |  | Dimensions: 225 x 140 x 250 mm (8.9" x 5.5" x 9.8") Weight: 900 g (1.98 lb) |
| GV-Mount203 | Wall Pendant Tube and Junction Box Kit |  | Dimensions: 315 x 195.5 x 225 mm (12.4" x 7.7" x 8.9") Weight: 2.95 kg (6.5 lb) |
| GV-Mount300-1 | Convex Corner Adapter Kit |  | Dimensions: 238.6 x 395.2 x 210 mm (9.4" x 15.5" x 8.2") Weight: 4.27 kg (9.41 lb) |
| GV-Mount310-1 | Concave Corner Adapter Kit |  | Dimensions: 111.2 x 369.9 x 210 mm (4.37" x 14.5" x 8.2") Weight: 2.96 kg (6.53 lb) |
| GV-Mount400-1 | Pole Mount Bracket Kit (\varnothing 4" ~ 6") |  | Bracket Dimensions: 68.4 x 240 x 163 mm (2.69" x 9.44" x 6.41") Weight: 1.70 kg (3.75 lb) Steel Strap Diameter: \varnothing 4" ~ 6" |
| GV-Mount410-1 | Pole Mount Bracket Kit (\varnothing 6" ~ 7.5") |  | Bracket Dimensions: 68.4 x 240 x 163 mm (2.69" x 9.44" x 6.41") Weight: 1.70 kg (3.75 lb) Steel Strap Diameter: \varnothing 6" ~ 7.5" |

| Model No. | Name | | Details |
|-------------|-------------------------|---|---|
| GV-Mount702 | Extension Tube |  | <p>Four options are available.</p> <p>Dimensions: \varnothing 5.4 x 10 or 20 or 30 or 50 cm (\varnothing 2.1" x 3.9" or 7.9" or 11.8" or 19.7")</p> <p>Weight: 180 g or 390 g or 550 g or 800 g (0.4 lb or 0.86 lb or 1.21lb or 1.76 lb)</p> |
| GV-Mount909 | Wall Box Mount |  | <p>Dimensions: 170 x 150 x 110 mm (6.7" x 5.9" x 4.3")</p> <p>Weight: 610 g (1.34 lb)</p> |
| GV-Mount910 | Power Box Mount Bracket |  | <p>Dimensions: 112 x 98 x 7.5 mm (4.4" x 3.9" x 0.3")</p> <p>Weight: 105 g (0.23 lb)</p> |
| GV-Mount913 | Power Box Mount Bracket |  | <p>Dimensions: \varnothing 146 x 7.5 mm (\varnothing 7.04" x 2.5")</p> <p>Weight: 180 g (0.4 lb)</p> |
| GV-Mount915 | In-Ceiling Mounting Kit |  | <p>Dimensions: \varnothing 172.5 x 63.8 mm (\varnothing 7.04" x 2.5")</p> <p>Weight: 424 g (0.93 lb)</p> |
| GV-Mount917 | Dome Housing |  | <p>Dimensions: \varnothing 186 x 97.5 mm (\varnothing 7.3" x 3.8")</p> <p>Weight: 948 g (2.09 lb)</p> |
| GV-PA191 | PoE Adapter |  | <p>The GV-PA191 is a Power over Ethernet (PoE) adapter designed to provide power to the IP device through a single Ethernet cable.</p> |

GV-PoE Switch

The GV-POE Switch is designed to provide power along with network connection for IP devices. The GV-POE Switch is available in various models with different numbers and types of ports.

GV-Relay V2



The GV-Relay V2 is designed to expand the voltage load of GV IP devices. It provides 4 relay outputs, and each can be set as normally open (NO) or normally closed (NC) independently as per your requirement.

Power Adapter

Contact our sales representatives for the countries and areas supported.
