

## GV-EBD2702 2MP H.265 Low Lux WDR IR Eyeball IP Dome

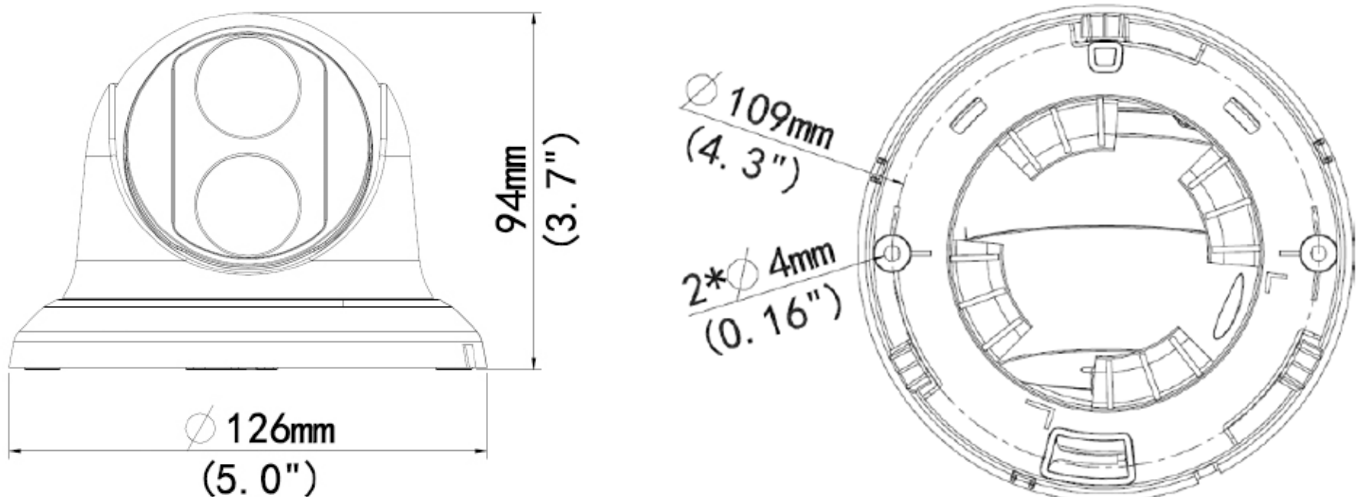


- 1/2.7" progressive scan low lux CMOS sensor
- Min. illumination at 0.02 lux
- Triple streams from H.265, H.264 or MJPEG
- Up to 30 fps at 1920 x 1080
- Day and night function (with removable IR-cut filter)
- Intelligent IR
- IR distance up to 30 m (98.4 ft)
- Wide Dynamic Range (WDR)
- Ingress protection (IP67)
- DC 12V / PoE (IEEE 802.3af)
- Defog
- 3D noise reduction
- Motion detection
- Text overlay
- Privacy mask
- ONVIF (Profile S) conformant

### Introduction

The H.265 Target Eyeball Dome is a compact outdoor network camera equipped with an automatic IR-cut filter and an IR LED for day and night surveillance. The camera adheres to IP67 standards and can withstand a wide temperature range. The camera supports H.265 video codec to achieve better compression ratio while maintaining high quality image at reduced network bandwidths. With Wide Dynamic Range, it can process scenes with contrasting intensity of lights and produce clear image.

### Dimensions



## Specifications

Camera		
Image Sensor	1/2.7" progressive scan low lux CMOS	
Picture Elements	1920 (H) x 1080 (V)	
Minimum Illumination	Color	0.02 Lux
	IR ON	0 Lux
Shutter Speed	Auto / Manual (1/6 ~ 1/100000 sec)	
White Balance	Auto / Manual	
Gain Control	Auto / Manual	
S/N Ratio	52 dB	
WDR	Yes	
Dynamic Range	Up to 72 dB	
Optical Lens		
Megapixel	Yes	
Day / Night	Yes (with removable IR-cut filter)	
Lens Type	Fixed	
Focal Length	2.8 mm	
Maximum Aperture	F/1.8	
Mount	M12	
Horizontal FOV	109.9°	
Operation	Focus	Fixed
	Zoom	Fixed
	Iris	Fixed
IR LED Quantity	1 IR LED	
Max. IR Distance	30 m (98.4 ft)	
Operation		
Video Compression	H.265, H.264, MJPEG	
Video Streaming	Triple streams	
Frame Rate	30 fps at 1920 x 1080 *The frame rate and performance may vary depending on the number of connections and data bitrates (different scenes).	
Video Resolution		
Main Stream	1920 x 1080 (Default)	
Sub Stream	1280 x 720, 720 x 576 (Default), 704 x 288, 352 x 288	
Third Stream (Closed by Default)	720 x 576, 704 x 288, 352 x 288	
Network		
Interface	10/100 Ethernet	
Protocol	DHCP, DynDNS, FTP, HTTP, HTTPS, ICMP, IPv4, L2TP, NTP, ONVIF (Profile S), PPPoE, RTP, RTSP, SMTP, SIP, TCP/IP, UDP	
Mechanical		
Camera Angle Adjustment	Pan	0° ~ 360°
	Tilt	0° ~ 77°
	Rotate	0° ~ 360°
Connectors	Power	DC Jack
	Ethernet	RJ-45
General		
Environment Temperature	Start-up	-35°C ~ 60°C (-31°F ~ 140°F)
	Operation	
Humidity	0% ~ 95% (no condensation)	
Power Source	12V DC / PoE (IEEE 802.3af)	
Max. Power Consumption	5.5 W	
Dimensions	Ø126 x 94 mm (Ø5.0" x 3.7")	
Weight	0.33 kg (0.73 lb)	
Ingress Protection	IP67	
Regulatory	CE, FCC, RoHS, UL compliant	

Web Interface	
Installation Management	Web-based configuration
Maintenance	Firmware upgrade through Web Browser or Utility
Access from Web Browser	Live View, Video Recording, Change Video Quality, Bandwidth Control, Image Snapshot, Defog, Text Overlay, Image Masking
Language	Czech, English, French, German, Hungarian, Italian, Japanese, Polish, Portuguese, Russian, Spanish
Applications	
Software Supported	GV-DVR / NVR (V8.7.4.0), GV-VMS (V16.11.0.0), GV-Control Center (V3.5.0.0), GV-Edge Recording Manager (V1.3.0.0), GV-Recording Server (V1.3.0.0), GV-Redundant / Failover Server (V1.1.0.0)
Live Viewing	Browser (IE, Firefox, Safari)





**Note:**

1. It is required to apply patch files to all the supported software.
2. Do not use clothes or any ordinary material to clean the camera cover since they may result in scratches.
3. Specifications are subject to change without notice.

**Packing List**

- |                              |                          |
|------------------------------|--------------------------|
| 1. H.265 Target Eyeball Dome | 5. Drill Template Paster |
| 2. Waterproof Rubber Set     | 6. Download Guide        |
| 3. Screw x 3                 | 7. Warranty Card         |
| 4. Screw Anchor x 3          |                          |

**Accessories**

Model No.	Name		Details
GV-Mount211P	Wall Mount Bracket		Dimensions: 233 x 126 x 126 mm (9.2" x 5" x 5") Weight: 1 kg (2.2 lb)
GV-Mount212P	Wall Box Mount		Dimensions: Ø 126 x 36 mm (5.0" x 1.4") Weight: 0.22 kg (0.48 lb)
GV-Mount420 (must be used with GV-Mount211P)	Pole Mount Bracket		Dimensions: Ø 120 x 120 x 53.4 mm (4.7" x 4.7" x 2.1") Weight: 0.45 kg (0.99 lb)
GV-PA191	Power over Ethernet (PoE) Adapter		GV-PA191 is a Power over Ethernet (PoE) adapter designed to provide power to the IP device through a single Ethernet cable.
GV-PoE Switch			GV-PoE Switch is designed to provide power along with network connection for IP devices. GV-PoE Switch is available in various models with different numbers and types of ports.
Power Adapter			Contact our sales representatives for the countries and areas supported.