

GV-BX12201 12MP H.264 Low Lux WDR D/N Box IP Camera



- 1/1.7" progressive scan CMOS
- Dual streams from H.264 or MJPEG
- Up to 15 fps at 4000 x 3000, 30 fps at 3840 x 2160
- Varifocal megapixel lens
- Built-in / external microphone
- Two-way audio
- One sensor input and alarm output
- TV-out support
- Mini USB slot for WiFi Adapter
- DC 12V / 24V AC / PoE (IEEE 802.3af)
- Built-in micro SD card slot (SD/SDHC/SDXC/UHS-I) for local storage
- Removable IR-cut filter for Day / Night function
- Wide Dynamic Range (WDR)
- Low Lux Enhancement
- 3D noise reduction
- Smart Streaming
- Defog
- Motion detection
- Tampering alarm
- Privacy mask
- IP address filtering
- Recording assigned by GV-Edge Recording Manager ([Windows](#), [Mac](#) version)
- Supports iPhone, iPad, Android & 3GPP
- 31 languages on Web interface
- ONVIF (Profile S) conformant

* No Memory card slot & local storage function for Argentina.

* Smart streaming requires GV-NVR V8.7.0.0, GV-VMS V16.10.0.0 or later software versions.

Introduction

GV-BX12201 is a dual-stream, day / night indoor IP camera containing a varifocal lens. The camera is equipped with a progressive scan CMOS image sensor. It features a 12 MP resolution, and the increased pixel density allows the camera to capture scenes of greater details.

Active Tampering Alarm

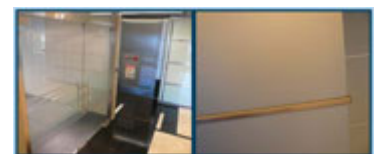
Tampered



Focus Change

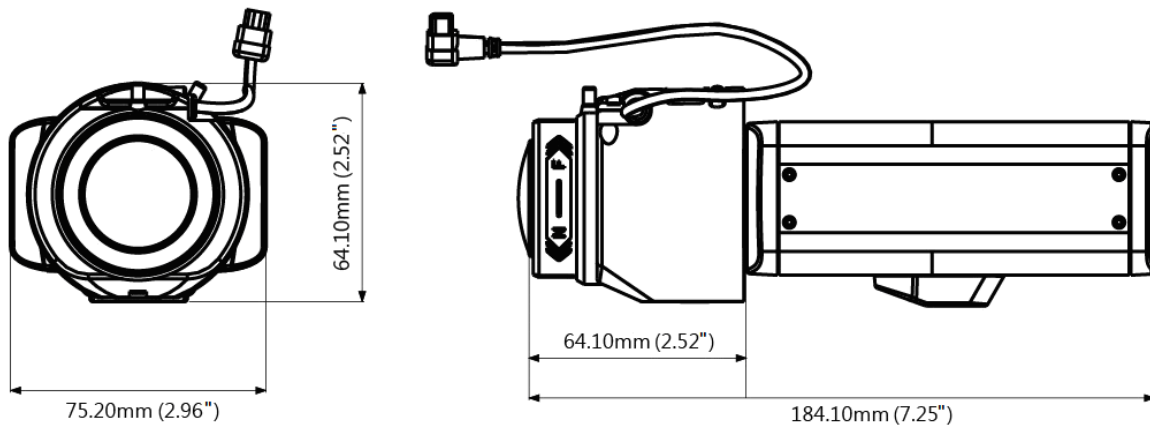


Camera Shift

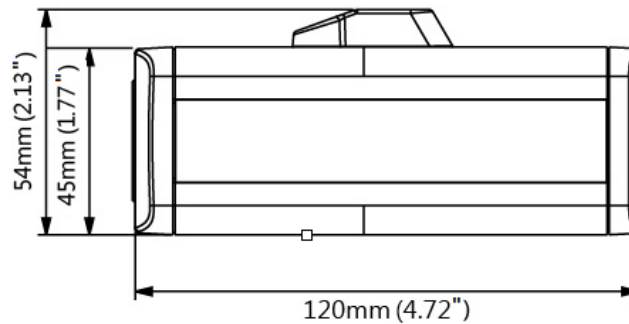


Dimensions

With Lens



Without Lens



Specifications

PC Requirements

CPU	Intel Core i5-4670, 3.40 GHz
Memory	DDR3 8 GB RAM
On Board Graphics	Intel HD Graphics 4600 (Versions of driver from year 2014 or later required)

Camera

Image Sensor	1/1.7" progressive scan CMOS	
Picture Elements	4000 (H) x 3000 (V)	
Minimum Illumination	Color	0.1 Lux
	B/W	0.05 Lux
	IR ON	0 Lux
Shutter Speed	Automatic, Manual (1/30 ~ 1/16000 sec)	
White Balance	Automatic, Manual (2800 ~ 8500K)	
Gain Control	Automatic	
S/N Ratio	52 dB	
WDR	Yes	

Lens

Megapixel	Yes
Day/Night	Yes (with removable IR-cut filter)
Lens Type	Varifocal
Focal Length	4.1 ~ 9 mm
Maximum Aperture	F/1.6
Mount	CS Mount
Image Format	1/1.8"
Horizontal FOV	109° ~ 50°

Operation	Focus	Manual (w/lock)
	Zoom	Manual (w/lock)
	Iris	DC drive
Torque (Focus/Zoom screws)		Focus: 0.05 N.m Zoom: 0.035 N.m
Operation		
Video Compression		H.264, MJPEG
Video Streaming		Dual streams from H.264 or MJPEG
Frame Rate		15 fps at 4000 x 3000 (60/50 Hz) 30 fps at 3840 x 2160 (60/50 Hz) * The frame rate and performance may vary depending on the number of connections and data bitrates (different scenes).
Image Setting		Brightness, Contrast, Saturation, Sharpness, Gamma, White Balance, Flicker-less, Image Orientation (Flip, Mirror, 0°, 90°, 180°, 270°-including Corridor format), Shutter Speed, D/N Sensitivity, Backlight Compensation, WDR, Defog, Denoise, Metering, Low Lux Enhancement
Audio Compression		G.711
Audio Support		Two-way Audio (external speaker required)
Sensor Input		1 input (Dry Contact)
Alarm Output		1 Digital Output (200mA 5V DC)
Video Resolution		
Main Stream	4:3	4000 x 3000 (Default), 2560 x 1920, 2048 x 1536, 1600 x 1200, 1280 x 960
	16:9	3840 x 2160, 1920 x 1080, 1280 x 720
	5:4	1280 x 1024
Sub Stream	4:3	1024 x 768 (Default), 640 x 480, 320 x 240
	16:9	1280 x 720, 640 x 360, 448 x 256
	5:4	1280 x 1024, 640 x 512, 320 x 256
Network		
Interface		10/100/1000 Ethernet
Protocol		DHCP, DNS, DynDNS, FTP, HTTP, HTTPS, ICMP, IPv4, NTP, ONVIF (Profile S), QoS (DSCP), RTCP, RTSP, SNMP, SMTP, SSL, TCP/IP, UDP, UPnP, 3GPP/ISMA
Wireless LAN		IEEE 802.11 b/g/n
Antenna Type		External
Security		WEP, WPA-PSK (TKIP), WPA-PSK (AES), WPA2-PSK (TKIP), WPA2-PSK (AES)
Mechanical		
Temperature Detector		Yes
Connectors	Power	2-pin terminal block (DC 12V, 1.25A), PoE
	Ethernet	RJ-45
	Audio	1 In (Built-in or external microphone) 1 Out (Stereo phone jack, 3.5 mm / 0.14 in)
	Digital I/O	3-pin terminal block, pitch 2.5 mm / 0.1 in
	Auto Iris	Yes (with varifocal lens)
	Local Storage	Micro SD card slot (SDHC/SDXC/UHS-I, Class 10) *UHS-II card type is not supported.
	TV-Out	BNC connector (640 x 480 resolution)
	Mini USB	GV-WiFi Adapter or USB hard drive
LED Indicator		2 LEDs: Power, Status
General		
Operating Temperature		0°C ~ 50°C / 32°F ~ 122°F
Humidity		10% to 90% (no condensation)
Power Source		12V DC / 24V AC / PoE (IEEE 802.3af)
Max. Power Consumption		6 W
Dimensions (L X W X H)		Without lens: 120 x 75.2 x 54 mm (4.72" x 2.96" x 2.13") With lens: 184.1 x 75.2 x 64.1 mm (7.25" x 2.96" x 2.52")
Weight		545 g / 1.2 lb
Regulatory		CE, FCC, RCM, LVD, RoHS compliant
Power over Ethernet		
PoE Standard		PoE (IEEE 802.3af Class 3 Power over Ethernet / PD)
PoE Power Supply Type		End-Span
PoE Power Output		Per Port 48V DC, 350mA. Max. 15.4 watts
Web Interface		
Installation Management		Web-based configuration

Maintenance	Firmware upgrade through Web Browser or Utility
Access from Web Browser	Camera Live View, Video Recording, Change Video Quality, Bandwidth Control, Image Snapshot, Digital I/O control, Audio, Picture in Picture, Picture and Picture, Privacy Mask, Visual Automation, Tampering Alarm, Text Overlay, Digital PTZ
Language	Arabic / Bulgarian / Czech / Danish / Dutch / English / Finnish / French / German / Greek / Hebrew / Hungarian / Indonesian / Italian / Japanese / Lithuanian / Norwegian / Persian / Polish / Portuguese / Romanian / Russian / Serbian / Simplified Chinese / Slovakian / Slovenian / Spanish / Swedish / Thai / Traditional Chinese / Turkish

Applications

Network Storage	GV-DVR / NVR / VMS, GV-Backup Center, GV-Recording Server
Smart Device Access	GV-Eye for iOS and Android
Live Viewing	IE, mobile phone
CMS Server support	GV-Control Center, GV-Center V2, GV-Vital Sign Monitor

Note:



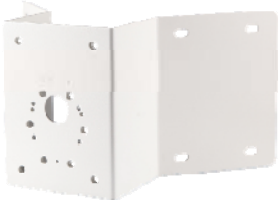
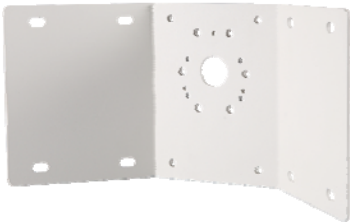
1. The signal range and data throughput may vary depending on the network conditions and environmental factors.
2. To connect a GV-WiFi Adapter, make sure it is connected before the camera is powered on.
3. Specifications are subject to change without notice.






Packing List

- | | |
|--|---------------------|
| 1. Box Camera | 6. Camera Holder |
| 2. Terminal Block | 7. Holder Screw x 2 |
| 3. Fixed Focal or Varifocal Megapixel Lens | 8. Power Adapter |
| 4. Six Lens Rings | 9. Download Guide |
| 5. Video Out Wire | 10. Warranty Card |

Note: The power adapter can be excluded upon request.

Accessories

Model No.	Name	Details
GV-Housing103 	Housing Box (with IR) 	Dimensions: 404 x 128 x 257 mm (15.91 x 5.04 x 10.12") Weight: 7 kg (15.43 lb) (including Supporting Tube) Start-up Temperature: -20°C ~ 50°C (-4°F ~ 22°F) Operation Temperature: -30°C ~ 50°C (-22°F ~ 122°F) IR: 6 IR LEDs with up to 60 m (196.85ft) IR effective distance Power: DC 12V, 1A input
GV-Mount300-1	Convex Corner Adapter Kit 	Dimensions: 238.6 x 395.2 x 210 mm (9.4" x 15.5" x 8.2") Weight: 4.27 kg (9.41 lb)
GV-Mount310-1	Concave Corner Adapter Kit 	Dimensions: 111.2 x 369.9 x 210 mm (4.37" x 14.5" x 8.2") Weight: 2.96 kg (6.53 lb)

Model No.	Name	Details
GV-Mount400-1	Pole Mount Bracket Kit (Ø 4" ~ 6")	Bracket: 68.4 x 240 x 163 mm (2.69" x 9.44" x 6.41") Weight: 1.70 kg (3.75 lb) Steel Strap Diameter: Ø 101.6 ~ 152.4 mm (4" ~ 6")
		
GV-Mount410-1	Pole Mount Bracket Kit (Ø 6" ~ 7.5")	Bracket: 68.4 x 240 x 163 mm (2.69" x 9.44" x 6.41") Weight: 1.70 kg (3.75 lb) Steel Strap Diameter: Ø 152.4 ~ 190.5 mm (6" ~ 7.5")
		
Supporting Rack		Dimensions: Ø 58 x 120 mm (2.28" x 4.72") Weight: 0.1 kg (103 g)
GV-PA191 PoE Adapter		Weight: 130 g / 0.29 lb Dimensions (H x W x D): 43 x 69 x 40 mm (1.69" x 2.72" x 1.57")
GV-POE Switch		The GV-POE Switch is designed to provide power along with network connection for IP devices. The GV-POE Switch is available in various models with different numbers and types of ports.
GV-Relay V2		The GV-Relay V2 is designed to expand the voltage load of GV IP devices. It provides 4 relay outputs, and each can be set as normally open (NO) or normally closed (NC) independently as per your requirement.
Power Adapter		Contact our sales representatives for the countries and areas supported.

Note: GV-Housing103 only works with GV-Mount300-1, GV-Mount310-1, GV-Mount400-1, GV-Mount410-1.