

## GV-AVD2700 2MP H.265 Low Lux WDR Pro IR Vandal Proof IP Dome



- 1/2.9" progressive scan low lux CMOS
- Min. illumination at 0.01 lux
- Triple streams from H.265, H.264 and MJPEG
- Up to 30 fps at 1920 x 1080
- Intelligent IR
- IR distance up to 30 m (98.4 ft)
- Day and Night function (with removable IR-cut filter)
- Vandal resistance (IK10 for metal casing)
- Ingress protection (IP67)
- 3-axis mechanism (pan / tilt / rotate)
- Built-in micro SD card slot (SD / SDHC / SDXC / UHS-I, Class 10) for local storage
- Two-way audio
- DC 12V / PoE (IEEE 802.3af)
- Wide Dynamic Range Pro (WDR Pro)
- Defog
- 3D noise reduction
- Motion detection
- Tampering Alarm
- Text overlay
- Privacy mask
- ONVIF (Profile S) conformant

### Introduction

The Vandal Proof IP Dome is an outdoor camera designed with IK10 vandal resistance and IP67 ingress protection. GV-AVD2700 supports H.265 video codec to achieve better compression ratio while maintaining high quality pictures at reduced network bandwidths. The camera is equipped with an automatic IR-cut filter and IR LEDs for day and night surveillance. With Wide Dynamic Pro (WDR Pro), it can process scenes with contrasting intensities of light and produce clear image. Adjustable in 3 axis (pan, tilt and rotate), it offers an entry-level surveillance solution with all the essential features and excellent image quality.

### Active Tampering Alarm

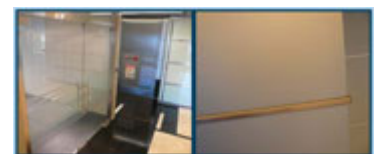
Tampered



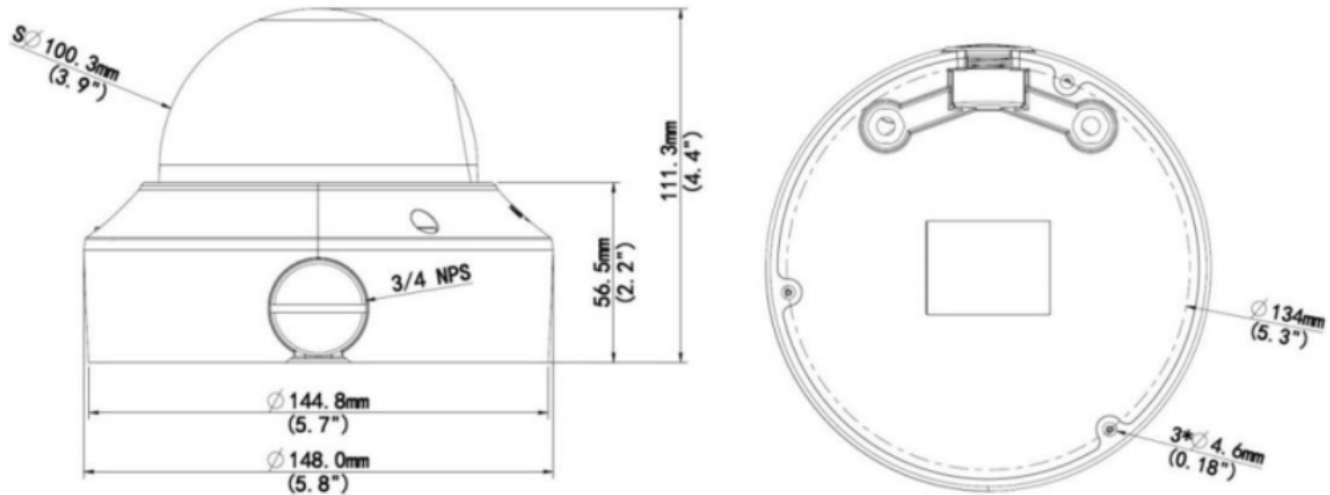
Focus Change



Camera Shift



## Dimensions



## Specifications

| Camera               |                                  |  |
|----------------------|----------------------------------|--|
| Image Sensor         |                                  | 1/2.9" progressive scan low lux CMOS   |
| Picture Elements     |                                  | 1920 (H) x 1080 (V)  |
| Minimum Illumination | Color                            | 0.01 Lux   |
|                      | IR On                            | 0 Lux  |
| Shutter Speed        |                                  | Auto, Manual (1/6 ~ 1/100000 sec)  |
| White Balance        |                                  | Auto, Manual   |
| Gain Control         |                                  | Auto, Manual   |
| S/N Ratio            |                                  | 52 dB  |
| WDR Pro              |                                  | Yes  |
| Dynamic Range        |                                  | Up to 120 dB   |
| Lens                 |                                  |  |
| Megapixel            |                                  | 2 MP   |
| Day/Night            |                                  | Yes (with removable IR-cut filter)   |
| Focal Length         |                                  | 2.8 ~ 12 mm  |
| Lens Type            |                                  | Varifocal lens   |
| Maximum Aperture     |                                  | F/1.4  |
| Mount                |                                  | $\varnothing 14\text{ mm}$   |
| Horizontal FOV       |                                  | 108°~30°   |
| Operation            | Focus                            | Manual (with lock)   |
|                      | Zoom                             | Manual (with lock)   |
|                      | Iris                             | Fixed  |
| IR LED Quantity      |                                  | 2 IR LEDs  |
| Max. IR Distance     |                                  | 30 m (98.4 ft)   |
| Operation            |                                  |  |
| Video Compression    |                                  | H.265, H.264, MJPEG  |
| Video Streaming      |                                  | Triple streams   |
| Video Resolution     | Main Stream                      | 1920 x 1080 (Default)  |
|                      | Sub Stream                       | 1280 x 720, 720 x 576 (Default), 704 x 288, 352 x 288  |
|                      | Third Stream (Closed by Default) | 720 x 576, 704 x 288, 352 x 288  |
| Frame Rate           |                                  | 30 fps at 1920 x 1080 (60 / 50 Hz)<br>* The frame rate and the performance may vary depending on the number of connections and data bitrates (different scenes). |

|                         |  |   |
|-------------------------|--|---|
| Image Setting           | Brightness, Contrast, Saturation, Sharpness, 3D Noise reduction, Image Orientation, Exposure Mode, Shutter Speed, Gain Control, Slow Shutter, Backlight Compensation (BLC), Metering Control, D/N Sensitivity, WDR, Smart Illumination, White Balance, Defog |   |
| Video Analytics         | Motion Detection, Tampering Alarm  |   |
| Audio Compression       | G.711  |   |
| Audio Support           | Two-way Audio (external microphone and speaker required)   |   |
| Sensor Input            | 1 Input  |   |
| Alarm Output            | 1 Digital Output   |   |
| <b>Network</b>          |  |   |
| Interface               | 10/100 Ethernet  |   |
| Ethernet Protocol       | ARP, DHCP, DNS, DDNS, DynDNS, FTP, HTTP, HTTPS, IPv4, ICMP, IGMP, L2TP, NTP, PPPoE, RTP, RTCP, RTSP, SMTP, SIP, TCP/IP, UDP, UPnP, 802.1x, ONVIF (Profile S)   |   |
| <b>Mechanical</b>       |  |   |
| Camera Angle Adjustment | Pan  | 0° ~ 360°   |
|                         | Tilt   | 0° ~ 80°  |
|                         | Rotate   | 0° ~ 360°   |
| Connectors              | Power  | DC Jack (DC 12V, 1A), PoE (IEEE802.3af)   |
|                         | Ethernet   | RJ-45   |
|                         | Audio  | 1 in (Audio In Wire); 1 out (Audio Out Wire)<br>*The Audio In port only supports microphones with power supply. |
|                         | Digital I/O  | 4-pin terminal block pitch 3.5 mm (0.14")   |
|                         | Local Storage  | Micro SD card slot (SD / SDHC / SDXC / UHS-I, Class 10)<br>* UHS-II card types are not supported.               |
| TV-Out                  | BNC connector  |   |
| <b>General</b>          |  |   |
| Environment Temperature | -40°C ~ 60°C (-22°F ~ 140°F)   |   |
| Humidity                | 0% to 95% (no condensation)  |   |
| Power Source            | 12V DC / PoE (IEEE 802.3af)  |   |
| Max. Power Consumption  | 7.2 W  |   |
| Dimension               | Ø148 x 111.3 mm (Ø5.8" x 4.4")   |   |
| Weight                  | 0.75 kg (1.7 lb)   |   |
| Ingress Protection      | IP67   |   |
| Vandal Resistance       | IK10 (for metal casing)  |   |
| <b>Web Interface</b>    |  |   |
| Installation Management | Web-based configuration  |   |
| Maintenance             | Firmware upgrade through Web Browser or Utility  |   |
| Access from Web Browser | Live View, Video Recording, Change Video Quality, Bandwidth Control, Image Snapshot, Tampering Alarm, Text Overlay, Image Masking  |   |
| Language                | Czech, English, French, German, Hungarian, Italian, Japanese, Polish, Portuguese, Russian, Spanish   |   |
| <b>Applications</b>     |  |   |
| Network Storage         | GV-DVR / NVR (V8.7.4.0), GV-VMS (V17.1), GV-Control Center (V3.5.0.0), GV-Edge Recording Manager (V1.3.0.0), GV-Recording Server / Video Gateway (V1.4.0.0), GV-Redundant / Failover Server (V1.1.0.0)   |   |
| Smart Device Access     | GV-Eye for iOS and Android   |   |
| Live Viewing            | Browser (IE, Firefox, Safari), Mobile App  |   |

**Note:**


1. It is required to apply patch files to all the supported software.
2. Do not use clothes or any ordinary material to clean the camera cover since they may result in scratches.
3. Specifications are subject to change without notice.

### Packing List

- |                          |                   |
|--------------------------|-------------------|
| 1. IR Vandal Proof Dome  | 5. Torx Wrench    |
| 2. Waterproof Rubber Set | 6. Download Guide |
| 3. Screw Kit             | 7. Warranty Card  |
| 4. Drill Template Paster |                   |

**Note:** Power adapters can be purchased upon request.

### Accessories

| Model No.   | Name                                 |   | Details  |
|---|--------------------------------------|---|--|
| GV-Mount211-2                                       | Wall Mount Bracket                   |    | Dimensions: 253 x125 x 125 mm (10" x 4.9" x 4.9")<br>Weight: 0.92 kg (2.02 lb)   |
| GV-Mount212-2                                       | Wall Mount Bracket                   |    | Dimensions: Ø145 x 40 mm (5.7" x 1.6")<br>Weight: 0.24 kg (0.5lb)  |
| GV-Mount420<br>(must be used with<br>GV-Mount211-2) | Pole Mount Bracket                   |   | Dimensions: Ø 120 x 120 x 53.4 mm (4.7" x 4.7" x 2.1")<br>Weight: 0.45 kg (0.99 lb)  |
| GV-PA191  | Power over Ethernet<br>(PoE) Adapter |  | The GV-PA191 is a Power over Ethernet (PoE) adapter designed to provide power to the IP device through a single Ethernet cable.  |
| <a href="#">GV-POE Switch</a>                       |                                      |   | The GV-POE Switch is designed to provide power along with network connection for IP devices. The GV-POE Switch is available in various models with different numbers and types of ports. |
| Power Adapter                                       |                                      |   | Contact our sales representatives for the countries and areas supported.   |