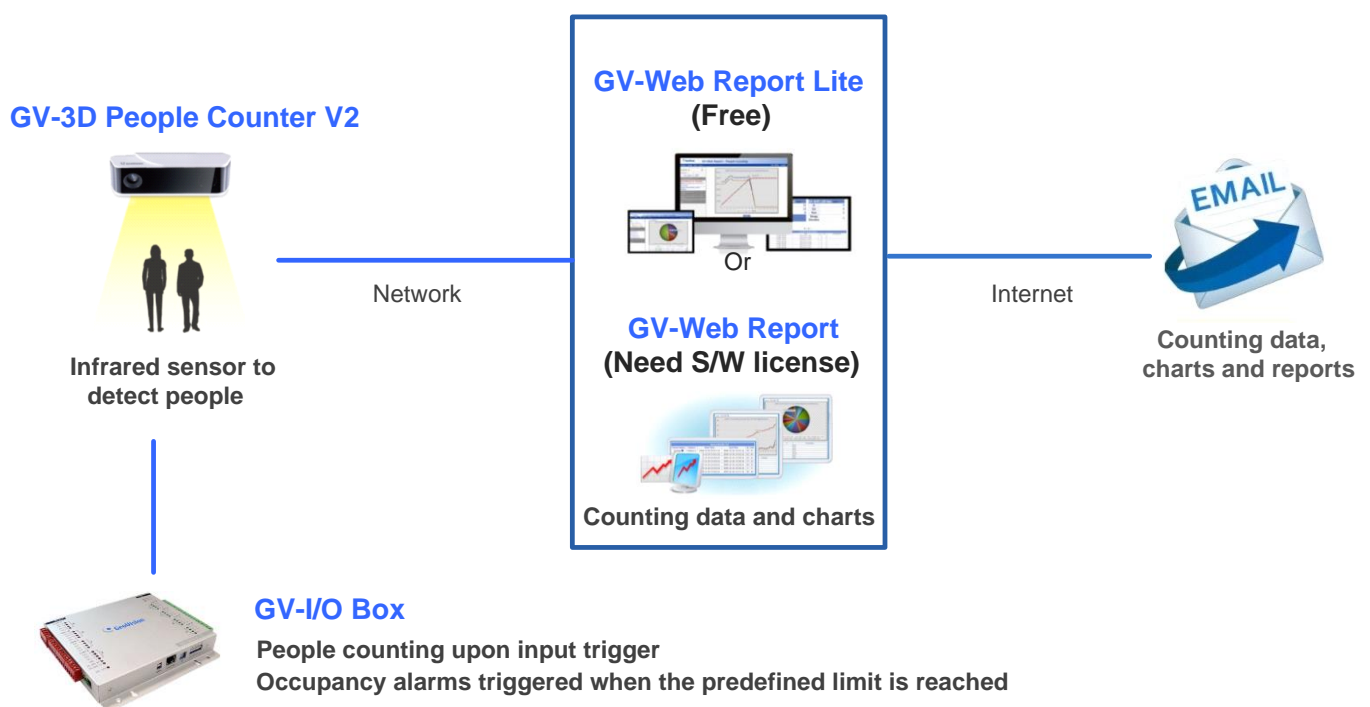


GV-3D People Counter V2



Introduction

The GV-3D People Counter V2 can count and analyze the number of people passing by or staying within a designated area with high precision and accuracy. With its Power over Ethernet and user-friendly interface, the counter is simple to use and easy to install. You can look up neatly compiled people counting data through its chart analysis with the support of GV-Web Report Lite, a built-in Web interface. Additionally, the counter also supports the alarm trigger when the predefined occupancy limit is reached.

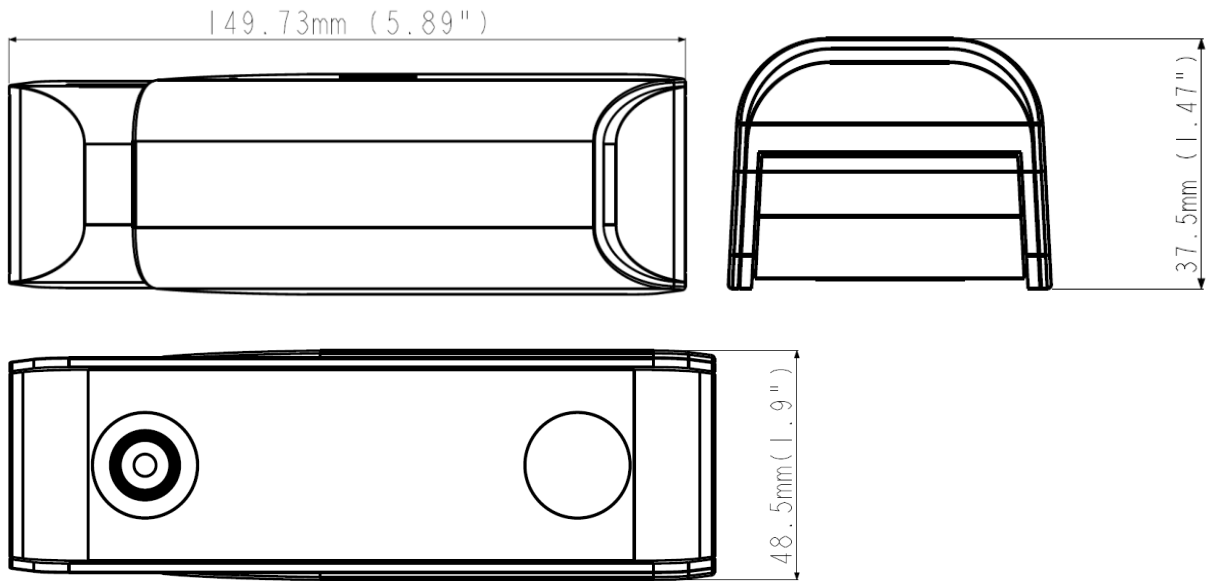


Features

- High precision counting accuracy
- Counts the number of people (In and Out)
- Lightweight with sleek design
- Digital I/O (1 Input/1 Output)
- PoE (IEEE 802.3af)
- Low power consumption
- Built-in micro SD card slot (SD/SDHC/SDXC/UHS-I, Class 10) for local storage
- GPS positioning (optional GV-GPS Receiver and GV-Web Report software required)
- GV-Web Report Lite: Built-in Web interface to look up people counting data and charts
- Support for data compiling and chart analysis on the optional GV-Web Report software
- People counting activated upon input trigger
- Occupancy alarms triggered when the predefined limit is reached
- Combine the counting data of up to 4 GV-3D People Counter V2 devices for data query and occupancy alarms

*** No SD/SDHC card slot & local storage function for Argentina.**

Dimensions



Overview

Bottom View



Rear View



Specifications

| External Interface | | |
|------------------------|------------|---|
| Ethernet | | RJ45, 10/100 Ethernet (PoE Only) |
| Local Storage | | Micro SD card slot (SD/SDHC/SDXC/UHS-I, Class 10) |
| Terminal Block | Input | 1 Sensor Input |
| | Output | 1 Alarm Output |
| | GPS | UART |
| Power Over Ethernet | | |
| PoE Standard | | PoE (IEEE 802.3af Power over Ethernet / PD) |
| PoE Power Supply Type | | End-Span and Mid-Span |
| PoE Power Output | | Per Port 48V DC, 350 mA, Max. 15.4 watts |
| General Information | | |
| Angle of View | Diagonal | 92° |
| | Horizontal | 74° |
| | Vertical | 55° |
| Counting Accuracy | | Up to 98% |
| Weather Resistance | | Indoor only |
| Operating Temperature | | 0 °C ~ 40 °C (32 °F ~ 104 °F) |
| Operating Humidity | | 20 % ~ 80 % (with no condensation) |
| Operating Distance | | 1.8 ~ 4 m (5.91 ~ 13.12 ft.) |
| Power Source | | PoE (IEEE 802.3af) Only |
| Max. Power Consumption | | 6.24 W |
| Dimensions (W x H x D) | | 149.73 x 48.5 x 37.5 mm (5.9 x 1.9 x 1.47 in) |
| Net Weight | | 200 g (0.44 lb) |
| Regulatory | | CE, FCC, RCM compliant |
| Language | | English, Traditional Chinese, Simplified Chinese, Russian, French |
| Supported Browser | | Microsoft Internet Explorer 10 or above |

Compatible Firmware and Software Versions



| Model | GV-VMS | GV-Web Report |
|--|------------------|------------------|
| GV-3D People Counter V2 V1.03 or later | V18.1.1 or later | V3.0.1A or later |

Note: All specifications are subject to change without notice.

Packing List

1. GV-3D People Counter V2
2. SDHC Micro SD card (8 GB)
3. Ceiling Mount Kit
4. Wall Mount Kit
5. Installation Sticker x 2 (Wall mount / Ceiling mount)
6. Screw x 4
7. Anchor x 2
8. Documents Download Guide
9. Warranty Card

Options for 3D People Counter V2

| Name | Details |
|--|---|
|  <p>A black spherical GPS receiver with a cable attached. The text 'G-STAR V' is visible on the sphere.</p> | <p>Receive the GPS signals for 3D People Counter positioning.</p> |
| <p>GV-GPS Receiver</p> | |
| <p>GV-IO Box</p> | <p>GV-IO Box extends the uses of an IP device by providing input and output ports for triggering alarms such as light or buzzer. GV-IO Box is available in different models with different numbers of inputs and outputs.</p> |
|  <p>A small black rectangular PoE adapter with an Ethernet port and a power port. The text 'GeoVision' and 'GV-PA191' are visible on the front panel.</p> | <p>The GV-PA191 is a Power over Ethernet (PoE) adapter designed to provide power to the IP device through a single Ethernet cable.</p> |
| <p>GV-PA191</p> | |
| <p>GV-POE Switch</p> | <p>The GV-POE Switch is designed to provide power along with network connection for IP devices. The GV-POE Switch is available in various models with different numbers and types of ports.</p> |
| <p>GV-Web Report</p> | <p>Through a Web browser, the GV-Web Report keeps track of and analyzes the people counting results from up to 1000 units of GV-3D People Counter V2s.</p> |