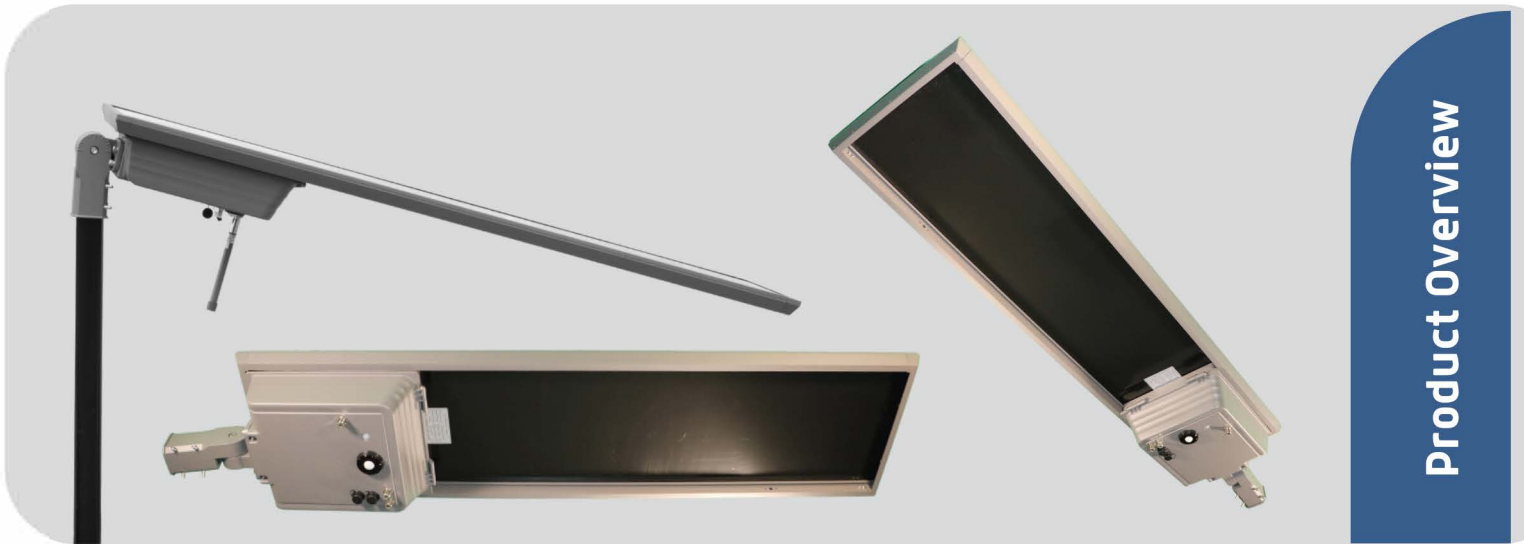


# Solar POE Station EP-SOL-POE-0136

Designed to provide power to POE devices with limited access to electrical utilities. The EP-SOL-POE-0136 has built in Power Over Ethernet (POE) and available integrated Wireless LTE Connectivity. Powered by an industry leading 36 AH battery and suited for rapid deployment, expand the possibilities of your POE device solutions.



Product Overview

**The Solar POE Station has a robust and durable construction with**

- Die-cast powder coated aluminum housing
- Heavy Duty powder coated aluminum mount

**Option to support two 48V or one 24V & one 48V POE devices**

**Available CradlePoint LTE Remote Router**

**Weatherproof IP66 and IK08 ratings (Except Solar Panel IK07)**

**LiFePO<sub>4</sub> battery with 2000 lifecycles, safe and reliable**

**High quality monocrystalline solar panel**

**Smooth surface design reduces debris and self cleans with rain.**

**Easy access to battery compartment**

**Post top and side entry optional with multiple  $\phi 60\text{mm}$  spigot configurations**

**2 years warranty**

**Suitable for roads, greenways, parks, parking lots, campuses, construction sites, bus stops, intersections, playgrounds, marinas and more**



# Solar POE Station

Specification Details

System Voltage	24V	
Monocrystalline Solar	120W/36V	
LiFePO <sub>4</sub> Battery	25.6V/36AH	
POE Switch	2 Ports IEEE802.3af/at @PoE+	1 Port 24v/0.5A@PoE 1 Port IEEE802.3af/at @PoE+
4G Gateway*	12V DC Power Supply Idle:2.7W (1.8W with Wi-Fi off)   Typical: 3.6W (2.8W with Wi-Fi off)   Heavy usage: 5.8W	
Charge Time (H)	8.5~9 during peak sunshine	
System Power Capabilities	About 18W**	
Charge Temperature	32° F ~ 131° F   0° C ~ 55° C	
Discharge Temperature	-7° F ~ 140° F   -20° C ~ 60	
Storage Temperature	32° F ~ 113° F   0°C~ 45°C	
Warranty	2 y	
Housing Materials	Die-casting Aluminum Housing + Extruded Aluminum Frame + PC	
Finishing	Dark Grey Pantone 8403C	
IP/IK	IP66/IK08 (Except Solar Panel IK07)	
Spigot Diameter (mm)	Φ60	
EPA Rating (ft2)	6.67	
Wind-Resistance (m/h)   (km/h)	99   160	
Solar POE Station Dimension (in)   (mm)	60.6x15.7x5.4   1540x400x138	
Package Dimension (in)   (mm)	64.8x19x10   1647x480x254	
Net Weight (±0.5lbs)   (±0.2kg)	53   24	
Gross Weight (±0.5lbs)   (±0.2kg)	62.2   28.2	

## FEATURES & BENEFITS

### ● Pole top option

Removable plastic top cover (pole is drilled) or welded steel tenon (pole is mortise option) can be supplied on customer's request for fitting light fixtures. The drilling mode shall be provided by the customer, unless the project uses energy lamps; If the mortise and tenon option is selected, the customer needs to determine the appropriate mortise and tenon dimensions for the project.

### ● Vertical shaft:

Hot rolled commercial quality welded steel pipe with a minimum yield strength of 42,000 psi is rugged and can be used to manufacture pole shafts.

### ● Handhole:

The reinforced handhole is located at a 12" base and can be used according to the selected lighting application.

### ● Base Cover:

A 2-piece ABS plastic base cover is available, easy to assemble and mount on the pole, and securely attached.

### ● Anchor bolts:

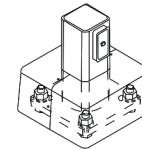
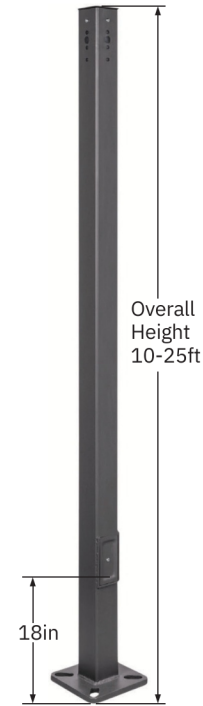
Each bolt includes 2 nuts and 2 washers. The top of the anchor bolt is threaded and can be used to secure and level rods with accompanying nuts and washers.

### ● Color and finish options:

Commercial grade, ultra durable powder coating, hot dip galvanizing process for greater hardness and durability. Powder-coated, hot-dip galvanizing is available as a premium option.

### ● Other Options:

The following options are available: Shock absorber, custom mortise and tenon size, custom color, electric /GFI socket, custom rod height, additional hand holes, UL compliant hand holes and custom base plate size.



4"



## ORDERING INFORMATION

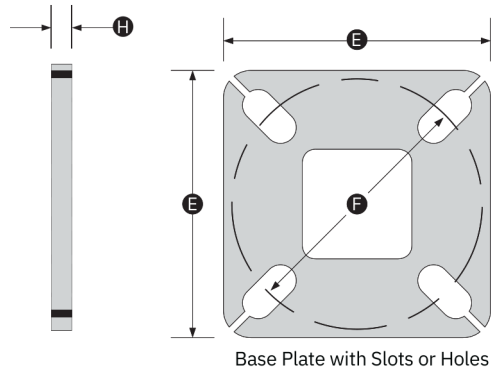
Example: **MSP** — **10FT** — **4IN** — **7G** — **D**

Model	Height	Size	Thickness	Finish
MSP	10FT (3.0 M) 15FT (4.6 M) 20FT (6.1 M) 25FT (7.6 M)	4"	7G (7 Gauge)	<b>G</b> Dark Grey Pantone <b>D</b> Dark Bronze <b>B</b> Black <b>W</b> White

## TECHNICAL DETAILS

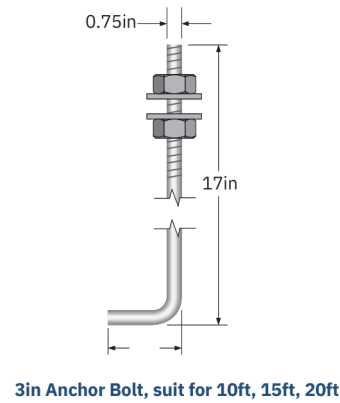
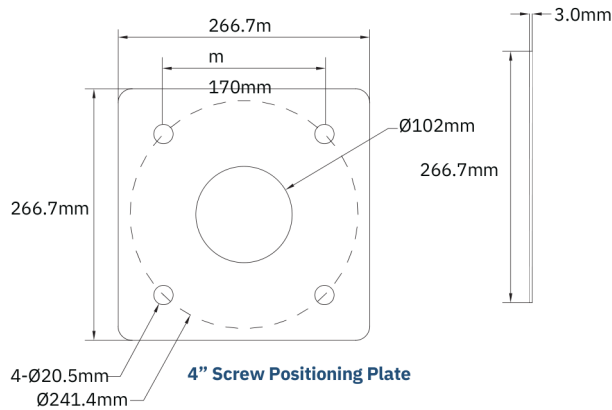
Catalog Number	Shaft Size (in)	Shaft Height (ft)	Wall thick (in)	Gauge	Weight (LBS)	Maximum EPA with 1.3 Gust Factor					
						80 MPH	Max weight	90 MPH	Max weight	100 MPH	Max weight
MSP-10FT-4IN-11G	4"	10	0.120	11	76	30.6	765	23.8	595	18.9	470
MSP-15FT-4IN-11G	4"	15	0.120	11	113	17.9	450	13.5	335	10.3	250
MSP-20FT-4IN-11G	4"	20	0.120	11	138	9.6	240	6.7	165	4.5	150

### ANCHORAGE DETAIL



Anchor Base size	Wall thick H	Base Plate Square E	Bolt Circle Range (in)	Bolt Circle	Bolt F Projection
4"	0.75"	10.5"	8-11	9.5"	3.75"

### DIMENSIONS



Pole Option

### MOUNTING ACCESSORY

## 4" Square Pole Mount with 2-3/8" O.D. Tenon

No. 4SQ-SP-D

Finish: Pantone Grey

USE: For use with square, non-tapered steel and aluminum poles. Furnished with four 5/16" hex head stainless-steel bolts. Vertical tenon measures 2-3/8" O.D., and is made of steel tubing. Fixtures mounted to this bracket can be adjusted both vertically and horizontally.

