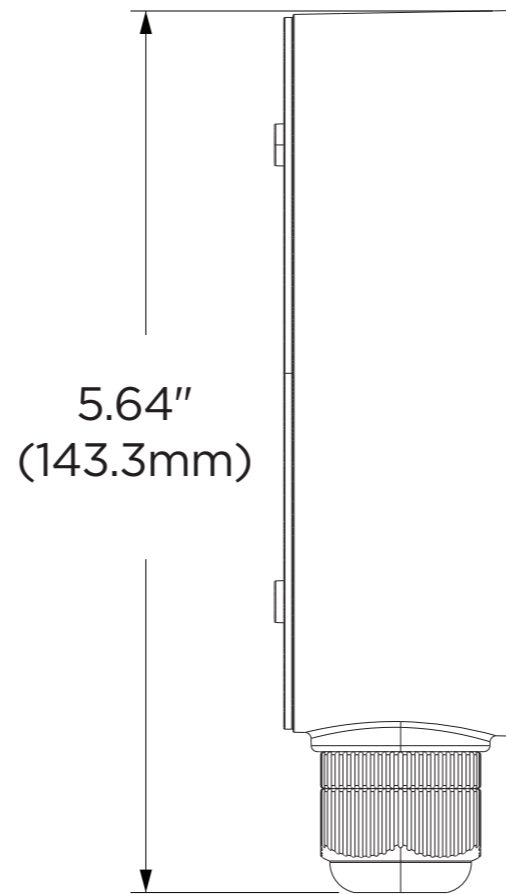
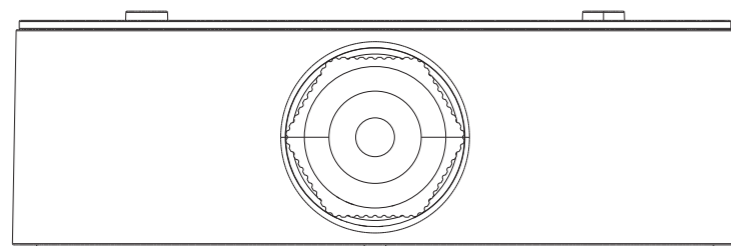
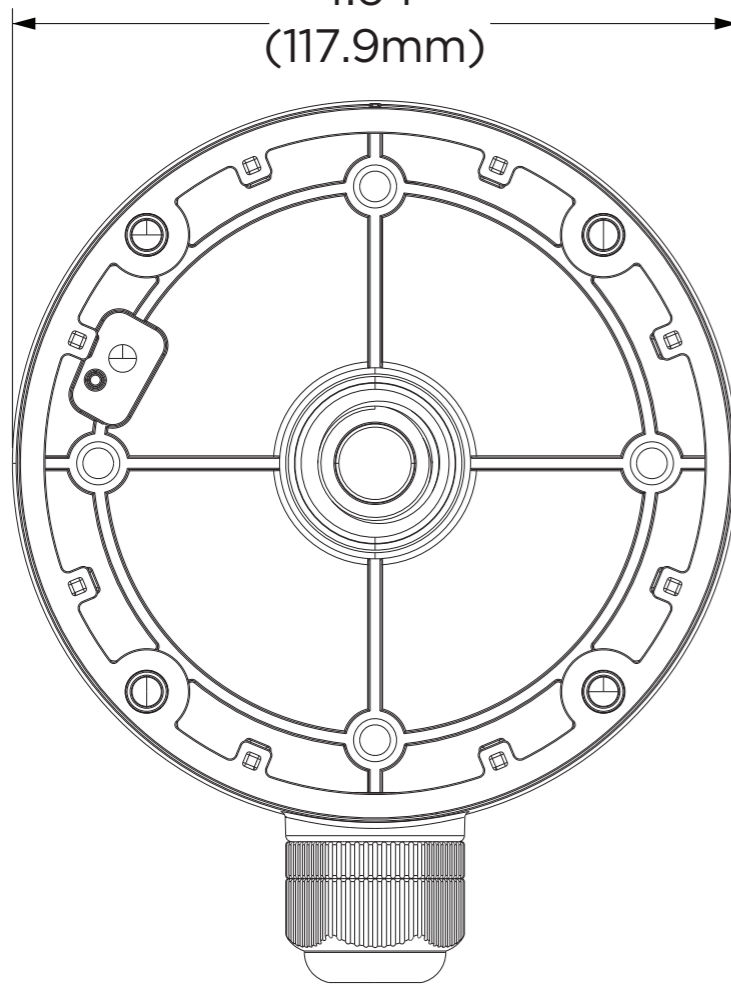
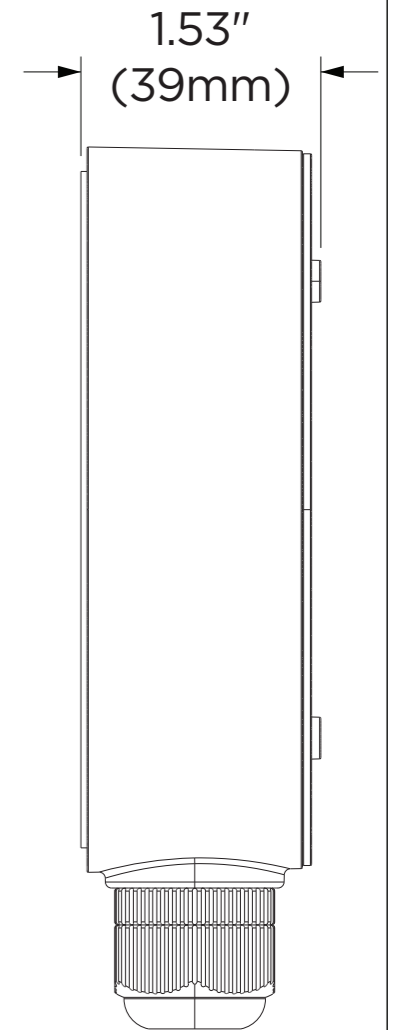
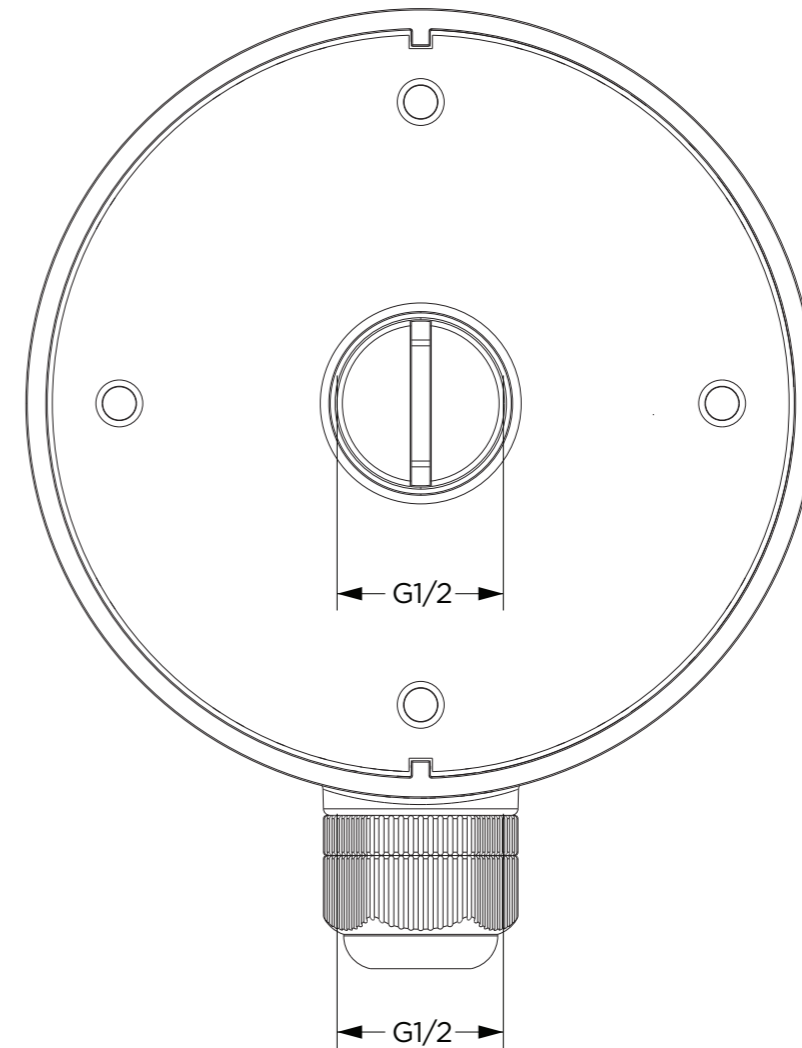



4.64"  
(117.9mm)



5.64"  
(143.3mm)



1.53"  
(39mm)

DATE	SCALE	MATERIAL	TYPE
10/2021		Aluminum	Fixed
	DESCRIPTION DW-CMV9JUNC Junction box for V9 vandal dome cameras with fixed lens		