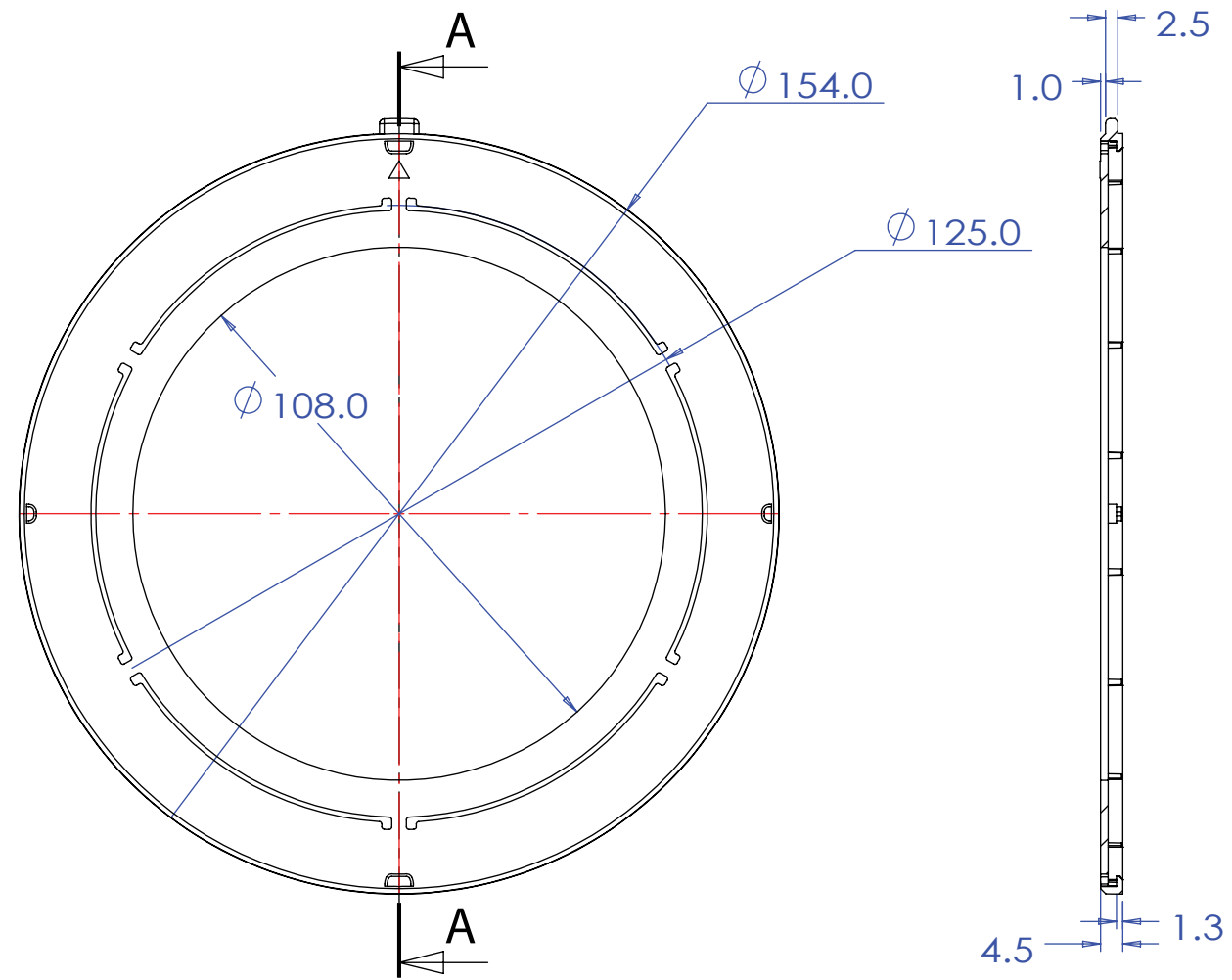


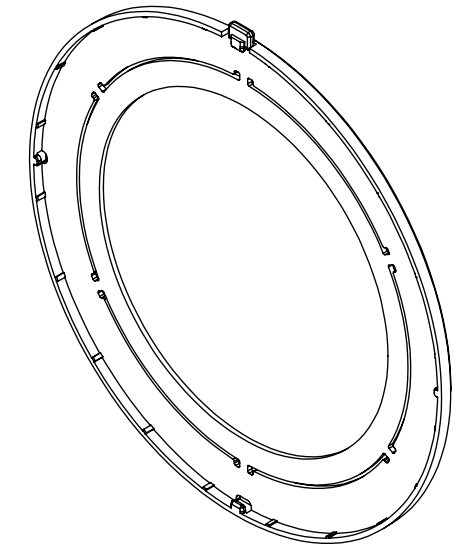
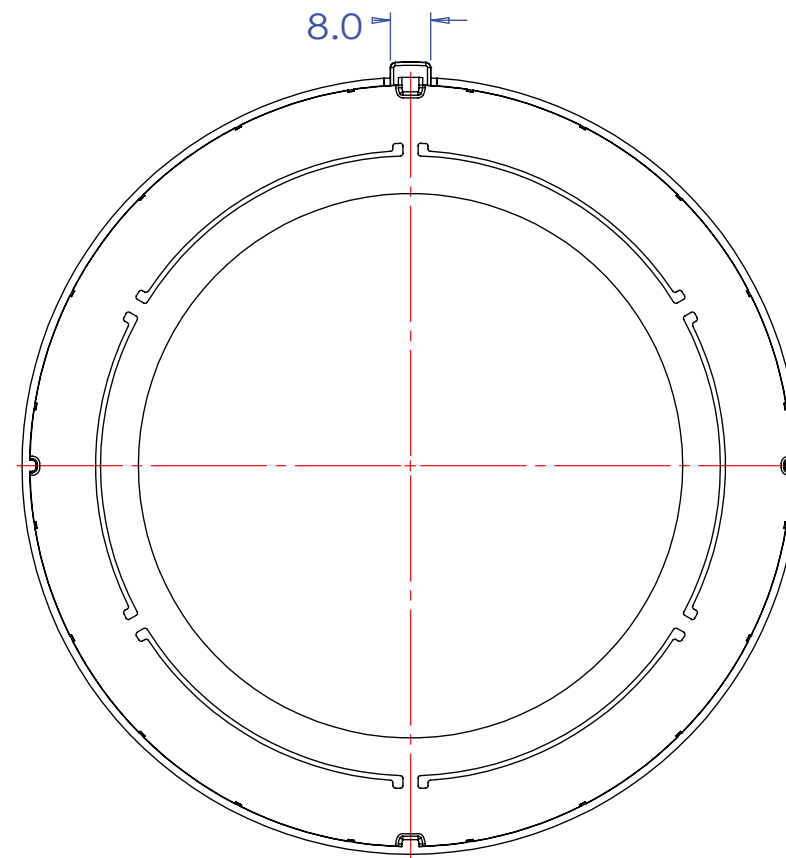
Dimensions of the Apertures


- A. $\phi = 0.23$ inch (0.59cm) A~A=4.80 inch (12.20cm)
- B. $\phi = 0.14$ inch (0.36cm) B~B=3.78 inch (9.60cm)
- C. $\phi = 0.21$ inch (0.53cm) C~C=3.32 inch (8.42cm)

DATE	SCALE	MATERIAL
11.23.2015	1 : 2	Aluminum
		DESCRIPTION DWC-GPLT-W White Converter Plate for Electronic Gang Box for MEGApix® PANO™ Dome Camera, Snapit™ Cameras, Surface Mount Domes, V5-6 Outdoor Domes, D3 and D7 Indoor Dome Cameras and Mini Outdoor Dome V7 Cameras.



A-A
1:1.5



DATE 11.23.2015	SCALE 1:2	MATERIAL Aluminum
		DESCRIPTION DWC-GPLT-W Plastic décor ring for DWC-GPLT-W