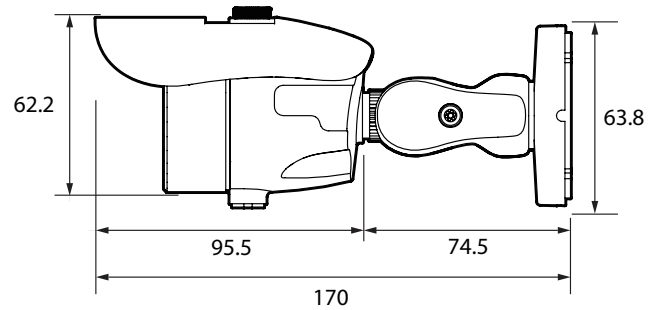




DWC-B7753TIR



Dimensions (unit : mm [inch])



Summary

Groundbreaking STAR-LIGHT AHD™ High Definition Cameras use existing coaxial cables to transmit crystal-clear detailed 1080p images. The cameras offer 2.1MP resolution along with powerful features such as P-Iris Lens, Digital Wide Dynamic Range (DWDR) and True Day/Night with Mechanical IR Cut Filter. The STAR-LIGHT AHD cameras are engineered to work with VMAX AHD DVRs, offering an easy upgrade from analog to high definition surveillance using existing infrastructure for a cost-effective, high resolution surveillance solution.

Features

- Analog High Definition (AHD) HD over Coax Technology
- STAR-LIGHT™ Super Low Light Technology
- 1/2.7" CMOS Sensor
- 1080P Resolution at 30fps
- Digital Wide Dynamic Range (DWDR)
- 3.6mm Fixed Lens
- Smart IR™ with Intelligent Camera Sync. 50ft Range
- Smart DNR™ 3D Digital Noise Reduction
- Highlight Masking Exposure (HME)
- True Day/Night Mechanical IR Cut Filter
- Secondary Video-BNC Output
- OSD Control via Coax Cable using UTC
- Programmable Privacy Zones
- Auto Gain Control (AGC)
- Back Light Compensation (BLC)
- Dynamic Range Compressor (DRC) Reveals Low Light Detail
- Auto White Balance (AWB)
- IP66 Certified (Weather Resistant)

Specifications

IMAGE	
Image Sensor	1/2.7" CMOS Sensor
Active Pixels	1920(H) x 1080(V)
Scanning System	Progressive scan
Frequency	60Hz/50Hz
Signal Technology	2.0 Megapixel AHD
Synchronization	Internal
Resolution	1920x1080 (1080p)
Minimum Scene Illumination	F1.4 (30IRE): 1.0Lux [Color]
	F1.4 (30IRE): 0 Lux [B&W]
S/N Ratio	55dB
Video Output	AHD 1080p30fps/720p60fps/720p30fps
LENS	
Focal Length	3.6mm
Lens Type	Fixed Lens
IR Distance	50ft
ENVIRONMENTAL	
Operating Temperature	-20°C ~ 50°C (-4°F ~ 122°F)
Operating Humidity	than 90% (Non-Condensing)
IP Rating	IP66 (Weather Resistant)
Other Certifications	FCC, CE, ROHS
ELECTRICAL	
Power Requirements	DC12V
Power Consumption	LED OFF: 3.06W, 255mA, LED ON: 3.43W, 285mA
MECHANICAL	
Material	Aluminum
Dimensions	6.7 x 2.51 in (170 x 63.8mm)
Weight	1.65lbs

*Specifications subject to change without notice.