



2.1 Megapixel Universal HD / Analog STAR-LIGHT™ Varifocal P-Iris Lens IP66 Rated **5 YEAR** Warranty

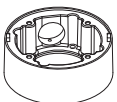
Summary

STAR-LIGHT™ 2.1MP Universal HD over COAX® cameras deliver crystal clear images and support real-time 30fps HD-Analog, HD-TVI, HD-CVI and all analog signals to 960H. The vandal weather resistant bullet cameras are IP66 rated. STAR-LIGHT™ Universal HD over COAX® cameras are engineered to work with our VMAX A1™ Universal HD over COAX® DVRs using your existing coax infrastructure for a cost-effective, high resolution surveillance solution.

Features

- Universal HD over Coax® Technology with HD-Analog, HD-TVI, HD-CVI and all Analog to 960H Signal Support
- STAR-LIGHT™ Super Low Light Technology
- 2.1MP 1/2.7" Image Sensor at Real-time 30fps
- 2.8~12mm Varifocal P-Iris Lens
- Digital Wide Dynamic Range (D-WDR)
- OSD Control Via Coaxial (UTC)
- 100' Smart IR™ with Intelligent Camera Sync.
- Smart DNR™ 3D Digital Noise Reduction
- True Day/Night Mechanical IR Cut Filter
- De-Fog™ Extreme Weather Image Compensation
- Highlight Masking Exposure (HME)
- Programmable Privacy Zones
- Auto Gain Control (AGC)
- Backlight Compensation (BLC)
- Auto White Balance (AWB)
- IP66 Certified Weather and Tamper Resistant
- 5 Year Warranty

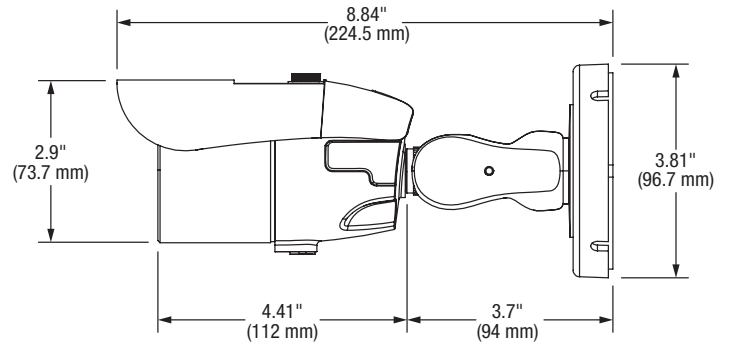
Accessories (Optional)



DWC-BLJUNC
Junction Box for Bullet Cameras

Dimensions

unit: Inch (mm)



Specifications

| IMAGE | |
|---------------------------------------|--|
| Image Sensor | 2.1MP 1/2.7" CMOS Sensor |
| Active Pixels | 1920(H) x 1080(V) |
| Scanning System | Progressive scan |
| Frequency | 60Hz/50Hz |
| Video Output | HD-Analog, HD-TVI, HD-CVI 2.1MP 1080p CVBS Analog up to 960H |
| Synchronization | Internal |
| Resolution | 1920x1080 (1080p) |
| Minimum Scene Illumination | F1.4 (30IRE): 0.2 Lux (Color) F1.4 (30IRE): 0 Lux (B/W) |
| S/N Ratio | 55dB |
| Signal Technology | Universal HD over Coax® Technology with HD-Analog, HD-TVI, HD-CVI and all Analog to 960H Signal Support |
| LENS | |
| Focal Length | 2.8 ~ 12mm |
| Lens Type | Varifocal P-Iris Lens |
| IR Distance | 100ft |
| OPERATIONAL | |
| Shutter Speed | 1/30(25)-1/50,000 |
| Backlight | Off/ On |
| STAR-LIGHT™ (Sense-up) | OFF, x2 -x30 |
| Smart DNR™ 3D Digital Noise Reduction | Off, Low, Middle, High |
| White Balance | Auto / Auto-Ex/ Preset / Manual |
| Day and Night | Day/ Night/ Auto |
| Mirror/ Flip | Yes |
| Auto Gain Control | Max 50dB |
| Motion Detection | Yes |
| Privacy Zones | 16 Privacy Zones |
| Sharpness | 0 ~ 10 |
| Gamma | 0.45 ~ 0.75 |
| ENVIRONMENTAL | |
| Operating Temperature | -4°F ~ 122°F (-20°C ~ 50°C) |
| Operating Humidity | Less than 90% (Non-Condensing) |
| IP Rating | IP66 Certified Weather and Tamper Resistant |
| Other Certifications | FCC, CE, ROHS |
| ELECTRICAL | |
| Power Requirements | DC12V |
| Power Consumption | ED OFF: 1.86W LED ON: 3.4W |
| MECHANICAL | |
| Material | Aluminum |
| Dimensions | 8.84 x 3.81 in (224.5 x 96.7 mm) |
| Weight | 1.65 lbs (748.4 gr) |