



## Summary

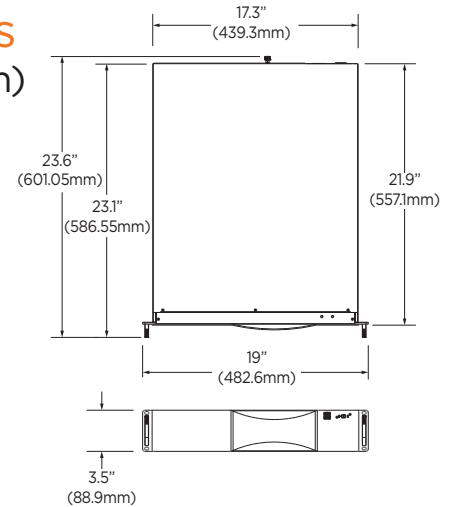
Blackjack® P-Rack™ servers can record and manage single- and multi-sensor IP cameras of any resolution, with an equivalent capacity of up to 128 2.1MP cameras at 30fps and a maximum of 600Mbps throughput. Standard features include Intel® i7®, Windows® 10 Pro or Linux® Ubuntu® OS and 2x NIC cards. Blackjack® P-Rack™ servers can be configured with 30-50TB recording storage and come with our 5 year limited warranty.

## Features

- Supports All ONVIF conformant IP cameras
- Storage options 40-60TB internal storage, 3-50TB recording storage
- Data redundancy
- Record and manage single- and multi-sensor IP cameras of any resolution up to 128 2.1MP cameras at 30fps and a maximum of 600Mbps throughput
- True HD and DVI local monitoring outputs ports
- Dual network ports
- Windows® 10 Pro or Linux® Ubuntu® 16.04 OS on separate SSD
- USB interface
- Hosting DW Spectrum® IPVMS for setup, configuration, monitoring and recording
- One-time recording license charge, fully transferable between cameras and encoders
- One (1) DW Spectrum® IPVMS 4-channel licenses included (DW-SPECTRUMLSC004)
- No annual maintenance fees
- Simple enterprise scalability
- Auto device discovery
- Dual stream recording
- Rail kit included
- USB mouse and keyboard included
- Designed, assembled and tested in the U.S.A.
- 5 years limited warranty

## Dimensions

Unit: inch (mm)



## Specifications



MODEL	DW-BJPR2UxT / DW-BJPR2UxT-LX	
Maximum IP cameras	128	
Included IP licenses	4	
Form factor	2U rack mount	
Operating system		Windows® 10 Pro (DW-BJPR2UxT) Linux Ubuntu® (DW-BJPR2UxT-LX)
	OS on SSD	150GB SSD
CPU	Intel® i7® Processor	
Memory	16GB	
NIC	2x gigabit ethernet (RJ45) Option: DW-R4NIC - Upgrade QUAD GB NIC Card *	
System	Max video storage rate (Mbps)	600 Mbps
	Maximum hard drives	1 x SSD + 7 x HDD
Storage	Maximum Storage	60TB RAID 5 (50TB usable storage)
	Outputs	True HD output or VGA or DVI
Video-out	Video card	GeForce 210 512MB Option: DW-RV4H - 4 head HD video card*
	Resolution	HD 1080p
Pre-loaded VMS software	DW Spectrum® IPVMS	
Unlimited remote clients	Cross platform - Windows®, Linux® and Mac®	
Mobile apps	iOS® and Andriod®	
DW Spectrum® IP video management software	Industries most powerful VMS engine - with Intelligent HD dual stream management Automatic camera discovery - auto-detect and connect to 1,000s of supported IP cameras at every resolution ONVIF Profile S conformant Alarm input / relay output and audio recording supported	
Keyboard & mouse	Included	
Railkit	Included	
Power	400W**	
Voltage	AC input: 100-240V 47-63Hz 6-3A	
	DC output: 400W +5V 12A +12V 32A +3.3V 0-10A -12V 0-0.5A +5VSB 0-2.5A +5V and +3.3V total Max: 90W	
Operating temperature and humidity	41°F-104°F / 20-90% RH	
Dimension (WxDxH) (inches)	17.32" x 26" x 3.5" (439.9 x 660.4 x 88.9 mm)	
Warranty	5 year limited	

\* Available at time of initial order only.  
\*\* UPS Recommended

Designed, Assembled and Tested in the U.S.A.