

# 4MP 2-Wire Video Doorbell and Chime Kit

DW401-CW01



## Key Features

- Max. Video Doorbell Resolution: 4MP (2560 × 1440) at 15 fps
- 1/3-in. CMOS Sensor
- Supports 2.4GHz/5GHz Dual-Band Wi-Fi, Wi-Fi 6
- Maximum IR Illumination Distance: 10.1 m (33.0 ft)
- Intelligent Motion Detection (iMD)
- Combine Multiple Doorbells and Chimes (Up to Eight (8) Devices)\*
- Built-In Microphone and Speaker
- Supports Up to Three (3) Quick Replies and One (1) Custom Reply
- Eight (8) Ringtone Options
- IP65 Ingress Protection Rating

## Certifications and Compliance

- NDAA Compliant
- FCC

## Learn More



Learn more about this product's key technologies.

## Overview

The DW401-CW01 is part of the LuminyS access control product range. LuminyS access control solutions are built for flexibility and scalability and provide reliable, secure access for applications of all sizes.

## Key Technologies

**Intelligent Motion Detection (iMD)** technology accurately detects and filters humans and vehicle in a monitoring area. Using an advanced algorithm, iMD can accurately detect humans and vehicles while reducing false alarms caused by other objects, animals, or lighting. Users can be alerted to iMD events for timely security. iMD events can be saved for future reference and easily searched for at a later time for forensic analysis and to assist in investigations.

**IP65 Ingress protection** ensures protection against dust and heavy rain, making it ideal for outdoor installations and rugged conditions.

\*This doorbell is only compatible with the CW01. Third-party chimes are not supported.

# Video Doorbell Specifications - DW401\*

## Camera

Image Sensor	1/3-in. CMOS
Number of Illuminators	Two (2) IR LEDs
Illuminator Control	Automatic, Manual, Off
Illumination Distance	Up to 10.1 m (33.0 ft)
Electronic Shutter Speed	Automatic, Manual 1/3 s to 1/100,000 s
S/N Ratio	> 56 dB

## Lens

Iris Type	Fixed
Lens Type	Fixed
Focal Length	2.3 mm
Maximum Aperture	F2.2
Field of View	<b>Horizontal:</b> 125.3° <b>Vertical:</b> 69.3° <b>Diagonal:</b> 149.8°
Close Focus Range	0.5 m (1.6 ft)
DORI Distance	<b>Detect:</b> 46.0 m (151.0 ft) <b>Observe:</b> 18.3 m (60.0 ft) <b>Recognize:</b> 9.1 m (30.0 ft) <b>Identify:</b> 4.6 m (15.0 ft)

## Video

Compression	H.265, H.264
Standard Codec	Supported
Stream Capability	Two (2)
Resolution	4MP (2560 × 1440), 1080p (1920 × 1080), 720p (1280 × 720), 640 × 360, 320 × 240
Maximum Frame Rate	<b>Main Stream:</b> 4MP/1080p/720p at 15 fps <b>Sub Stream 1:</b> 640 × 360/320 × 240 at 15 fps
Video Bit Rate	<b>H.264:</b> 1,792 kbps to 4,096 kbps <b>H.265:</b> 512 kbps to 4,096 kbps
Day/Night	Automatic (ICR), Black and White
Light Balancing	Digital Wide Dynamic Range (DWDR)
Noise Reduction	3D NR
Image Angle	0°, 180°
Image Mirroring	Supported

## Analytics

Intelligent Motion Detection	Supported With Alarms for Vehicles and Humans
Custom Shapes	Supports up to Three (3) Custom Shapes for Targeted Events

## Audio

Compression	PCM, G.711a, G.711Mu
Interface	<b>Input:</b> Built-In Microphone <b>Output:</b> Built-In Speaker

## Network

Protocol	IPv4, IPv6, DNS, TCP, UDP, DHCP, HTTP, HTTPS, 802.1X, RTSP, DDNS, P2P, SMTP, RTMP, Auto Registration, ICMP, IGMP, FTP, SFTP, RTP, RTCP, ARP, NTP, Multicast, NFS
Wireless Communication	2.4GHz/5GHz Dual-Band Wi-Fi (Wi-Fi 6), Bluetooth
Interoperability	ONVIF (Profiles, S, G, T)
Storage	32GB Pre-Installed MicroSD Card (Supports Up to 256 GB)
Client	LumiViewer Mobile App

## Electrical

Power Supply	USB (5 VDC±5%, 2 A) or binding post power supply (10–24 VDC/14–24 VAC, 1.0 A)
Power Consumption	<b>Basic:</b> 1.7 W (5 VDC), 2.1 W (24 VDC), 2.2 W (24 VAC) <b>Maximum:</b> 3.7 W (5 VDC), 4.5 W (24 VDC), 4.6 W (24 VAC)

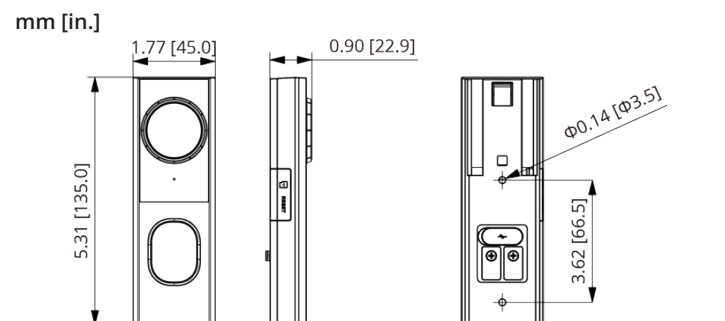
## Construction

Net Weight	99.3 g (0.2 lb)
Product Dimensions (L x W x H)	180.1 mm × 90.1 mm × 27.0 mm (7.1 in. × 3.6 in. × 1.1 in.)
Operating Temperature	-25 °C to 55 °C (-4 °F to 131 °F)
Operating Humidity	> 95% (RH), Non-Condensing
Storage Temperature	-30 °C to 60 °C (-22 °F to 140 °F)
Storage Humidity	> 95% (RH), Non-Condensing
Protection Ratings	IP65
Casing Material	Plastic

## Certifications and Compliance

Certifications	FCC, IC
Compliance	NDAA

## Dimensional Drawing



\*This doorbell is only compatible with the CW01. Third-party chimes are not supported.



# Chime Specifications - CW01

## Audio

Interface Output: Built-In Speaker

## Network

WiFi Protocol IEEE 802.11b/g/n/ax 2.4000-2.4835 GHz, 2.4 G, EIRP ≤ 20 dBm

Wireless Communication 2.4GHz Wi-Fi (Wi-Fi 6), Bluetooth

Remote Firmware Updates Supported

## Electrical

Power Supply 100-240 VAC 50/60 Hz

Power Consumption < 5 W

## Construction

Net Weight 88.5 g (0.2 lb)

Product Dimensions (L x W x H) 94.1 mm × 50.0 mm × 50.0 mm (3.7 in. × 1.97 in. × 1.97 in.)

Operating Temperature -10 °C to 45 °C (14 °F to 113 °F)

Operating Humidity 20% to 95% (RH), Non-Condensing

Appearance Color Black (Front Casing) + White (Back Cover)

Casing Material Plastic

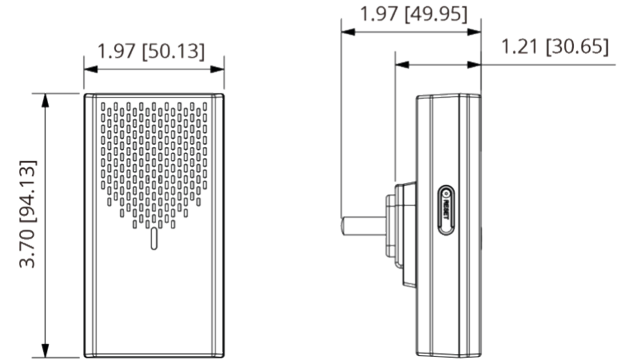
## Certifications and Compliance

Certifications FCC, IC

Compliance NDAA

## Dimensional Drawing

mm [in.]



# Packaging Information

## Included Components

Below are the included components when purchasing the product.

Quantity	Component
1	4MP Video Doorbell
1	Wireless Chime
1	Positioning Mount Plate
1	Flat Mount Plate
1	Extension Wire
1	Jumper Cable
1	Mounting Template
3	Wire Nut
2	Wall Anchor
2	Phillips Head Screw
1	32 GB MicroSD Card (Pre-Installed)
1	Quick Start Guide
1	Regulatory Information