

Description

The **DL2105** is designed for operation over Category cabling and standard 24 AWG telephone pairs. With this system it is unnecessary to use 18 AWG shielded pairs. The unit works equally well over existing communication cables, computer network spare pairs or new cable installations. A highly balanced output design assures that the system will not interfere with other equipment on the network. The DL2105 units are designed for easy connection to standard security equipment, including keyboards, matrixes, P/T/Z systems, access control systems, CPU units, etc.

The DL2105 is a two unit system that connects using twisted pair from transmitter to receiver to extend RS232 up to 12,000 feet. All connections are via a screwless terminal block that accepts wire sized from 12 to 26 AWG. The system works with all Baud rates up to 64K. It is possible to daisy-chain up to 24 receiver units (extra receivers must be ordered separately) from a single transmitter.

Features

- EIA RS232 standard inputs and outputs
- Data speeds of 64K Baud
- Built-in surge suppression
- Balanced communication output can be run in the same cable with telephone, video and other computer signals
- Screwless terminal blocks allow easy connection to any wire type from 12 to 26 AWG

Applications

- Keyboards—extends keyboards for matrix and multiplexer control
- Access Control Systems—between buildings and around campuses or remote gates
- Pan and Tilt Systems—extends control signals to 12,000 feet for all major manufacturers' equipment



NITEK

USA

5410 Newport Drive, # 24
Rolling Meadows, IL 60008
Phone: (847) 259-8900
Fax: (847) 259-1300
E-mail: info@nitek.net
WWW.NITEK.NET

EUROPE

De Schans 19-21 2a
8231 KA Lelystad
Tel: +31(0)320-2300005
Fax: +31(0)320-282186
E-mail: info@nitek.nl
WWW.NITEK.NL

TECHNICAL SPECIFICATION

DL2105 RS232 Extender System

The DL2105 system consists of a transmitter unit and receiver unit. The information listed below is for the system, except when noted.

Size	1.1" H x 2.6" W x 4.3" D (each unit)
Power Requirements	14-18 VDC @ 100mA (transmitter) 14-18 VDC @ 60mA (receiver)
Signal Standard	All RS232 signals meet EIA standards
Transmitter Connections	RS232 signal and ground input; twisted pair output. Connections via screwless terminal blocks for 12 to 26 AWG wire
Receiver Connections	RS232 signal and ground output; twisted pair input. Connections via screwless terminal blocks for 12 to 26 AWG wire
Data Rate	up to 64K Baud

Surge Protection

Built-in surge suppression is provided when earth ground connection is used

Temperature Range

-20°C to +65°C

Humidity Range

0 to 98%, non-condensing

Enclosure Material

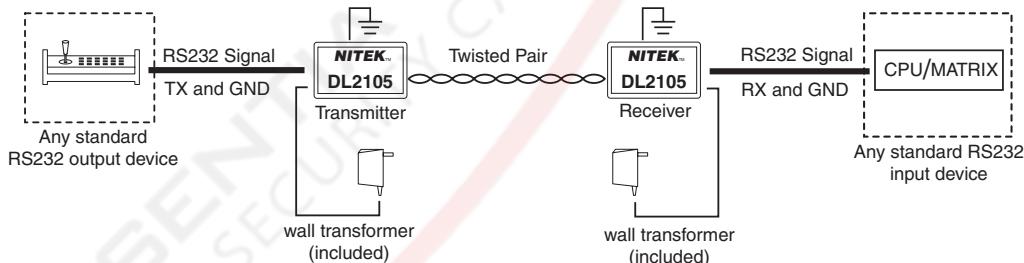
Black, ABC flame retardant plastic

Shipping Weight

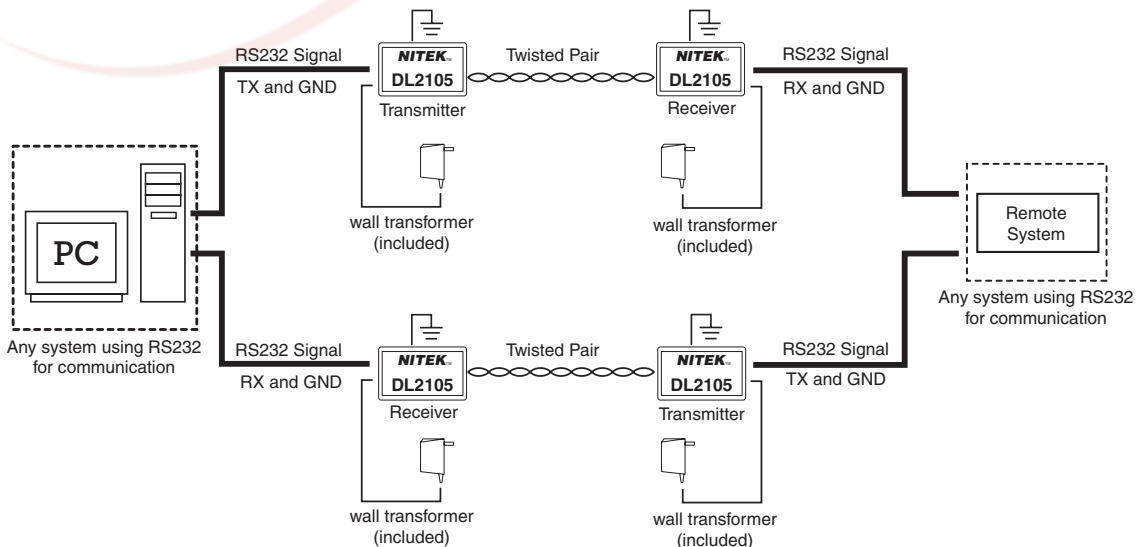
2 lbs

Wire and Cable Recommendations

We recommend using unshielded twisted pair wiring. The systems will operate over wire 26 to 18 AWG but are optimized for 24 AWG. Category cables may be used. Individually shielded pairs should be avoided, as they drastically reduce the operating range of the systems. Multi-pair cable with an overall shield is acceptable. Video can be operated in the same communication cable coexistent with telephone, computer, control signals, power voltages and other video signals. While video may be routed through telephone punch down block terminals, any bridge-taps, also called T-taps and any resistive, capacitive or inductive devices MUST BE removed from the pair.



Half Duplex RS232 Communication System



Full Duplex RS232 Communication System