



18.5 Inch WIDE Screen / 10-Points PCAP Touch Monitor

D19ZC-AV-45P0

DESKTOP TOUCH



GVision manufactures a variety of desktop and point of sale (POS) monitors. This 18.5-inch D19ZC is a WIDE touch screen monitor in which available with 10-points multi-touch projected capacitive (PCAP) screens. D19ZC's native resolution is 1366 x 768 but it supports up to 1080p full HD resolution as well.



Supports Up To 1080p



10-Points Touch



DVI-D Digital Input



HDMI Digital Input



VGA Analog Input



USB B-Type Touch



IP65 Front (Optional)



LED Backlight Unit



3-Year Warranty

18.5-Inch 10-Points PCAP Touch Screen Monitor



INPUT INTERFACE

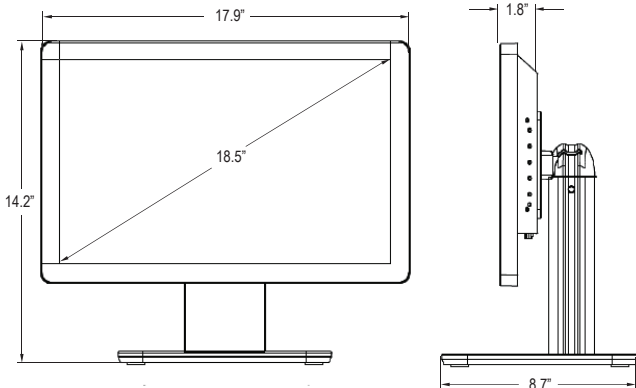


Multi Inputs

Gvision's Gaming / KISOK monitor supports both digital and analog inputs to use as normal office desktop monitor with VGA, HDMI input or USB-Type B to use touch function as well.

DIMENSION

Unit: Inch



FEATURES

- 18.5-Inch Screen Size
- 1366 x 768 Resolution (*Support Up To 1080p*)
- Video Signal: **VGA** (15 Pin D-Sub) / **DVI** / **HDMI**
- **10-Points** Projective Capacitive **PCAP** Touch Technology
- **IP65** on the Front (*Optional*)
- **Zero Pressure** Touch Activation
- **LED** Backlight Unit
- **Metal** Enclosure Material
- **3-Year** Warranty

SPECIFICATIONS

| | D19ZC-AV-45P0 |
|---------------------------|--|
| DISPLAY | |
| Screen Size | 18.5 In |
| Resolution | 1366 x 768 (Support Up To 1080p) |
| Backlight | LED |
| Aspect Ratio | 16 : 9 |
| Viewing Angle | 170° / 160° |
| Response Time | 5ms |
| Brightness | 250cd/m ² |
| Contrast Ratio | 1000 : 1 |
| Color Depth | 16.7 M |
| Display Area (mm) | 409.8 x 230.4mm |
| AUDIO | |
| Speaker | Option |
| INTERFACE | |
| HDMI | 1 |
| DVI | 1 |
| VGA (15 Pin D-Sub) | 1 |
| Audio | 1 |
| USB (B-Type) | 1 |
| TOUCH TECHNOLOGY | |
| Material | 2 mm Glass |
| Points / Type | 10 Max / Projected Capacitive (PCAP) |
| Accuracy | 2 mm |
| CABINET | |
| Material | Plastic Frame / Metal Housing |
| Color | Black |
| POWER | |
| Consumption | 14W Max Standby ≤ 0.5W |
| Electrical Ratings | 12VDC ± 5% (Adapter Input AC 100V ~ 240V, 50/60Hz) |
| TEMPERATURE | |
| Operating | 32° F ~ 104° F (0° C ~ 40° C) |
| Storage | -4° F ~ 140° F (-20° C ~ 60° C) |
| HUMIDITY | |
| Operating / Storage | 20% ~ 80% / 10% ~ 90% |
| DIMENSIONS (W×H×D) | |
| Inch (in) | 17.9 x 14.2 x 8.7 |
| Millimeter (mm) | 453.8 x 361.4 x 220.3 |
| WEIGHT | |
| Net Weight | 14.3 lbs (6.5 kg) |
| COMPLIANT | |
| Certification | CE / FCC |
| VESA™ | |
| Mount Size (mm) | 100 x 100 |

Specifications subject to change without any notice