



17 Inch / Projective Capacitive PCAP Touch Monitor

D17ZH-AV-45P0

DESKTOP TOUCH



GVision manufactures a variety of desktop and point of sale (POS) monitors. This 17-inch D17ZH is capable of 10-point projected capacitive (PCAP) multi-touch screens display with versatile 90 degree tilt metal base stand.



10-Points Touch



DVI-D Digital Input



HDMI Digital Input



VGA Analog Input



USB B-Type Touch



IP65 Protected

LED

Backlight Unit



3-Year Warranty

17-Inch / 10-Points PCAP Touch Screen Monitor



FEATURES

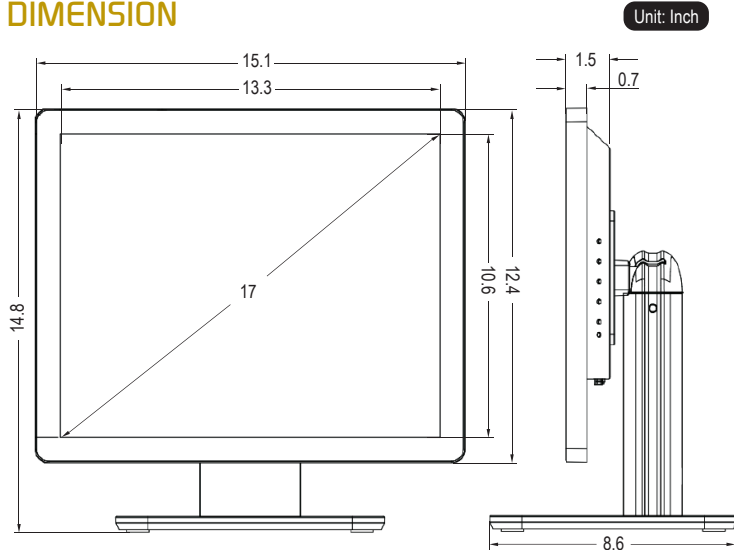
- 17-Inch Screen Size
- 1280 x 1024 Resolution
- Video Signal: **VGA / DVI / VGA** (15 Pin D-Sub)
- **IP65** on the Front (Optional)
- **Zero Bezel** Touch Screen
- **Zero Pressure** Touch Activation
- **LED** Backlight Unit
- **Metal** Enclosure Material
- **90 Degree Tilt** Stand
- **3-Year** Warranty

INPUT INTERFACE



Gvision's Desktop/POS monitor supports both digital and analog inputs to use as normal office desktop monitor with VGA, DVI and HDMI input or USB-Type B to use touch function as well.

DIMENSION



SPECIFICATIONS

DISPLAY	D17ZH-AV-45P0
Screen Size	17 In
Resolution	1280 x 1024
Backlight	LED
Aspect Ratio	5 : 4
Viewing Angle	170° / 160°
Response Time	5ms
Brightness	250cd/m ²
Contrast Ratio	1000 : 1
Color Depth	16.7 M
Display Area (mm)	337.9 x 270.3mm
INTERFACE	
DVI	1
HDMI	1
VGA (15 Pin D-Sub)	1
Audio	1
TOUCH TECHNOLOGY	
Glass	2mm Tempered Glass
Type	10 Points Projective Capacitance Touch
Support OS	Windows / Linux
AUDIO	
Speakers	Option
CABINET	
Material	Metal
Black	Black
POWER	
Consumption	< 18W
Electrical Ratings	12V DC ± 5% (AC 100V ~ 240V, 50/60Hz)
TEMPERATURE	
Operating	32° F ~ 104° F (0° C ~ 40° C)
DIMENSIONS (W×H×D)	
Inch (in) w/o Stand	15.1 x 14.8 x 8.7
Millimeter (mm) w/o Stand	384.2 x 378.0 x 220.0
WEIGHT	
Net Weight (w/ Stand)	13.6 lbs (6.2kg)
COMPLIANT	
Certification	CE / FCC
VESA™	
Mount Size (mm)	100 x 100

Specifications subject to change without any notice