

## Datasheet

# CUBEPOWER - 1-Relay Receiver with Remote Programming

### Product Description

The CUBEPOWER is a stand-alone receiver compatible with the full range of ERONE and RADIUM remotes. The first remote registered dictates the transmitter range to be used. If the first remote enrolled is a RADIUM transmitter, then the RXCUBE will only work with RADIUM. The same is true for ERONE.

The receiver is programmed and controlled remotely via the InstallerCUBE app available on iOS and Android. Another app is also available for end users specifically, allowing them direct access (UserCUBE).

These 433 MHz radio frequency systems offer longer range (up to 820 ft (250m)), less barred signals and excellent reliability.



### Key Features


- Mobile programmable receiver
- Compatible with RADIUM and ERONE remotes
- Android and IOS app for programmer and user
- Up to 250 transmitters, 100 user phone codes
- 1 relay (NC/NO)
- Keeloq® Hopping Code

 Certification

 DEEE

**RoHS** Certification

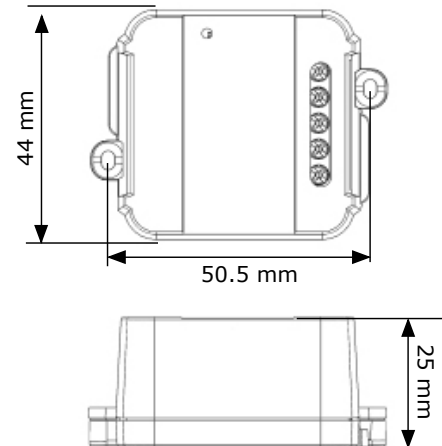
 IP2X

 -4°F to 149°F  
(-20°C to 65°C)

All the information contained within this document (pictures, drawings, features, dimensions, specifications), could be perceptibly different and can be changed without prior notice. Published: 13 August 2024. CDVI\_CUBEPOWER\_DS\_04\_EN-FR\_LETTER\_C

## Product Specifications

<b>Material:</b>	ABS
<b>Technology:</b>	Radio & bluetooth
<b>Type:</b>	Superheterodyne
<b>Frequency:</b>	433.92 MHz
<b>Modulation:</b>	AM/ASK
<b>Encoding:</b>	Keeloq® Hopping code
<b>Code combinations:</b>	2 <sup>64</sup>
<b>Relays:</b>	1
<b>Contacts:</b>	C, NO, NC
<b>Delay:</b>	1 sec to 23h59m59s
<b>Operating mode:</b>	Pulse, latch, delayed
<b>Memory</b>	up to 250 transmitters up to 100 smartphone user codes
<b>Weight:</b>	0.1 lb, 0.047 kg



## Electrical Specifications

<b>Power supply:</b>	12-24V AC/DC (auto-detect)
<b>Max power on output:</b>	10A @ 30V DC - NO 6A @ 30V DC - NC
<b>Consumption:</b>	120 mA @12V AC (500 mA at power up)

Start configuring your receiver today!



**INSTALLERCUBE**



**Download  
InstallerCUBE**



**USERCUBE**



**Download  
UserCUBE**

## Accessories



**RS1**

1-button thin remote



**CMC10**

10 mobile credentials license  
for CUBE X