

Bluetooth Access Control Reader



- Unlock via Bluetooth^{1,2} or IC Card
- Supports Wiegand; RS-485 exclusively for Bluetooth
- Enables Bluetooth unlocking with Android/iPhone via the DMSS app
- MIFARE 13.56 MHz Card
- IP67 Ingress Protection
- Watch Dog Function for Tamper Detection
- Surface-mounted Installation
- Audible and Visual Indicators
- Integration and Setup with Web Access Controller¹

System Overview

The ASR2100Z-B is a Bluetooth access reader with an IP67-rated PC construction that allows for secure, contactless entry in any setting. For full functionality, including Bluetooth unlocking, it must be connected to the DHI-ASC3202B controller via RS-485 wiring. This reader, in addition to IC card support and DMSS app compatibility, provides a versatile and user-friendly experience, bolstering your access control system with its convenient unlock options and built-in anti-tampering alarm.

Technical Specification

System		
Unlock Mode	Card Swiping, Bluetooth ^{1,2}	
Card Type	IC Card	
Management Software	DMSS	
Audible Indicator	Tamper Alarm	
Reader		
Format	13.56 MHz MIFARE	
Card Reading Distance	20 mm to 65 mm	
Bluetooth Distance ¹	Short-range	≤ 0.2 m (0.66 ft)
	Mid-range	≤ 2 m (6.56 ft)
	Long-range	≤ 10 m (32.81 ft)
Interface		
RS-485 ³	One (1)	
Wiegand	One (1) Output Channel	
Alarm	One (1) Tamper Alarm	
Electrical		
Working Voltage	12V DC ± 20%	
Working Current	5 mA to 22 mA	
Construction		
Product Dimensions	95 mm × 50 mm × 20 mm (3.74 in. x 1.97 in. x 0.79 in.)	
Working Temperature	-40 °C to 60 °C (-40 °F to 140 °F)	
Gross Weight	136 g (0.30 lb)	
Environmental		
Protection Rating	IP67	

Ordering Information

Type	Part Number	Description
Access Control	ASR2100Z-B	Bluetooth Access Control Reader
	DHI-ASC3202B	Web Access Controller
Accessories (Optional)	IC-S50	IC Card
	IC-SM	IC Key Fob

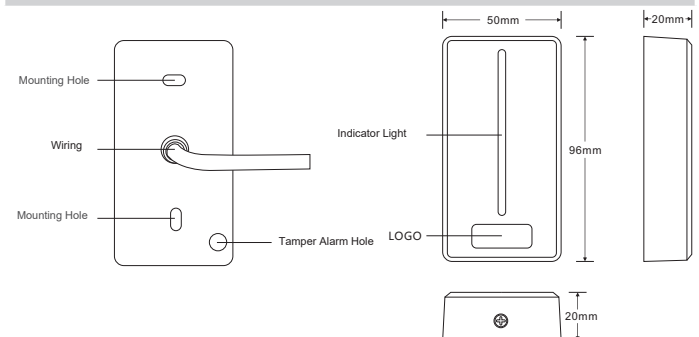
Accessory - IC Card

Model Number	IC-S50
Standard	MIFARE S50, 13.56 MHz
Compatibility	SO/IEC 14443A
Range	Approximately 10.0 cm (3.94 in.)
Dimensions	86.0 mm x 54.0 mm x 0.80 mm (3.39 in. x 2.13 in. x 0.03 in.)
Weight	0.006 kg (0.013 lb)
Manufacturer/Brand	Dahua

Accessory - IC Key Fob

Model Number	IC-SM
Standard	MIFARE S50, 13.56 MHz
Compatibility	SO/IEC 14443A
Range	Approximately 10.0 cm (3.94 in.)
Manufacturer/Brand	Dahua

Dimensions



1. The DHI-ASC3202B Web Access Controller is required for Bluetooth unlocking and integration with the DMSS mobile client. The system is not DSS Pro or standalone compatible.
2. While the ASR2100Z-B supports short, medium, and long-range Bluetooth reading, the effective range for the Bluetooth unlock function may differ depending on the Bluetooth technology used by the user's mobile device.
3. To enable the Bluetooth function on the ASR2100Z-B, the reader must be connected via RS-485 wiring. Wiegand wiring only supports the IC card reading function and does not support Bluetooth functionality.