



Network

Bullet

# ANO-L7082R

## 4MP IR Bullet Camera



### Key Features

- 4MP resolution, Up to 30fps
- Color : 0.1Lux (F1.6, 1/30sec), B/W : 0Lux (IR LED On)
- 3.3 ~ 10.3mm motorized varifocal lens
- IR viewable length: 30m (98.42ft)
- Day & Night (ICR), WDR (120dB)
- H.265, H.264, MJPEG, Multiple streaming supported
- Defocus detection, Directional detection, Motion detection, Enter/Exit, Tampering
- Hallway view (90°/270°), LDC support, WiseStream II
- Micro SD/SDHC/SDXC memory slot (Max. 128GB)
- IP66

# ANO-L7082R

4MP IR Bullet Camera



## Specifications

### Video

Imaging Device	Size	1/2.8"
	Type	CMOS
Resolution	2560x1440, 1920x1080, 1280x960, 1280x720, 800x600, 800x448, 720x576, 720x480, 640x480, 640x360, 320x240	
Max. Framerate	H.265/H.264	30fps/25fps(60Hz/50Hz)
	MJPEG	15fps(@4MP Max. 2fps)
Min. Illumination (Lux)	Color(1/30sec, 30IRE)	0.1
	BW(1/30sec, 30IRE)	0.01

### Lens

Focal Length (mm)	3.3~10.3	
Zoom Ratio	Optical	3.1x
Max Aperture Ratio (F number)	Wide	1.6
	Tele	3.3
Angular Field of View	Horizontal	95°~28°
	Vertical	51°~15°
	Diagonal	113°~32°
Min. Object Distance	0.5m(1.64ft)	
Focus Control	Simple focus	
Lens Type	DC auto iris	

### Pan / Tilt / Rotate

Pan / Tilt / Rotate Range	Pan	0°~360°
	Tilt	0°~100°
	Rotate	0°~360°

### Operational

Day & Night	Auto(ICR)
Backlight Compensation	BLC, WDR, SDR
Wide Dynamic Range (dB)	120

## Operational

Digital Noise Reduction		SSNR
Motion Detection	Quantity	4ea
	Shape	8point Polygonal zones
Privacy Masking	Quantity	6ea
	Shape	Rectangular zones
Gain Control		Low, Middle, High
White Balance		ATW, AWC, Manual, Indoor, Outdoor
LDC		Support
Electronic Shutter	Mode	Minimum, Maximum, Anti flicker
	Speed Range	1/5~1/12,000sec
Video Rotation		Flip, Mirror, Hallway view(90°/270°)
Alarm Triggers		Analytics, Network disconnect
Alarm Events When Alarm Trigger Occurred		File upload(image): e-mail/FTP, Notification: e-mail, Recording: SD/SDHC/SDXC or NAS recording at event triggers, Handover: PTZ preset
Light Type		IR LED
Light Viewable Length	IR	30m(98.43ft)
IR Wavelength		850nm

## Analytics

Analytics Events	Normal	Defocus detection, Motion detection, Tampering, Virtual area(Intrusion/Enter/Exit), Virtual line(Crossing, Direction)
------------------	--------	---

## Network

Ethernet		RJ-45(10/100BASE-T)
Video Compression		H.265/H.264: Main/High, MJPEG
Smart Codec		Manual, WiseStream II
Bitrate Control		H.265/H.264: CBR or VBR, MJPEG: VBR
Streaming	Unicast	Up to 6 users
	Multicast	Support
	Multiple Streaming	Up to 3 profiles
Protocol		IPv4, IPv6, TCP/IP, UDP/IP, RTP(UDP), RTP(TCP), RTCP, RTSP, NTP, HTTP, HTTPS, SSL/TLS, DHCP, FTP, SMTP, ICMP, IGMP, SNMPv1/v2c/v3(MIB-2), ARP, DNS, DDNS, QoS, UPnP, Bonjour, LLDP, SRTTP(TCP, UDP Unicast), PPPoE, PIM-SM
Application Programming Interface	ONVIF	S, G, T
	Others	SUNAPI(HTTP API)
Direct Cloud Connection		Optional (needs gateway)

## Security

OS / Firmware Protect	Encrypted firmware
User authentication	Digest authentication, Prevent brute-force attack
Network authentication	IEEE 802.1X(EAP-TLS, EAP-LEAP, EAP-PEAP, MSCHAPv2)
Secure Communication	HTTPS, WSS(WebSocket Secure), SRTP
Access Control	IP-based access control
Data Protect	Encryption credentials, Encrypt compress for live recording file export
Audit	Access / System / Event Log management
Device ID	Device certificate(Hanwha Vision Root CA)
Secure Storage	SDcard partition encrypt(AES-256)

## General

Memory	RAM	512MB
	Flash	256MB
Edge Storage	Micro SD/SDHC/SDXC	Max. 128GB x 1slot

## Environmental & Electrical

Operating Condition	Temperature	-30°C~+55°C(-22°F~+131°F)
	Humidity	0~95% RH(non-condensing)
	Others	Start up should be done at above -20°C
Storage Condition	Temperature	-30°C~+55°C(-22°F~+131°F)
	Humidity	0~95% RH(non-condensing)
Input Voltage		PoE(IEEE802.3af, Class3)
Power Consumption	PoE	Max 8.0W, typical 6.0W

## Mechanical

Color	White
Material	Plastic
RAL Code	RAL9003
Product Dimensions	ø78.0x262.0mm(3.07x10.31")
Product Weight	390g(0.86lb)

## Certifications & Standards

EMC	FCC 47 CFR 15 Subpart B Class A, ICES-3(A)/NMB-3(A), CE/UKCA - EN55032 Class A, EN 50130-4, EN 61000-3-2, EN 61000-3-3, VCCI CISPR 32 Class A, RCM AS-NZS CISPR 32 Class A, KS C 9832 Class A, KS C 9835
Safety	UL 60950-1, CAN/CSA C22.2 NO. 60950-1, IEC 62471
Environment	IEC/EN 63000, IEC 60529 IP66

**DORI (EN62676-4 standard)**

<b>Detect (25PPM/ 8PPF)</b>	Wide	46.9m(153.92ft)
	Tele	205.4m(673.73ft)
<b>Observe (63PPM/ 19PPF)</b>	Wide	18.8m(61.57ft)
	Tele	82.1m(269.49ft)
<b>Recognize (125PPM/ 38PPF)</b>	Wide	9.4m(30.78ft)
	Tele	41.1m(134.75ft)
<b>Identify (250PPM/ 76PPF)</b>	Wide	4.7m(15.39ft)
	Tele	20.5m(67.37ft)

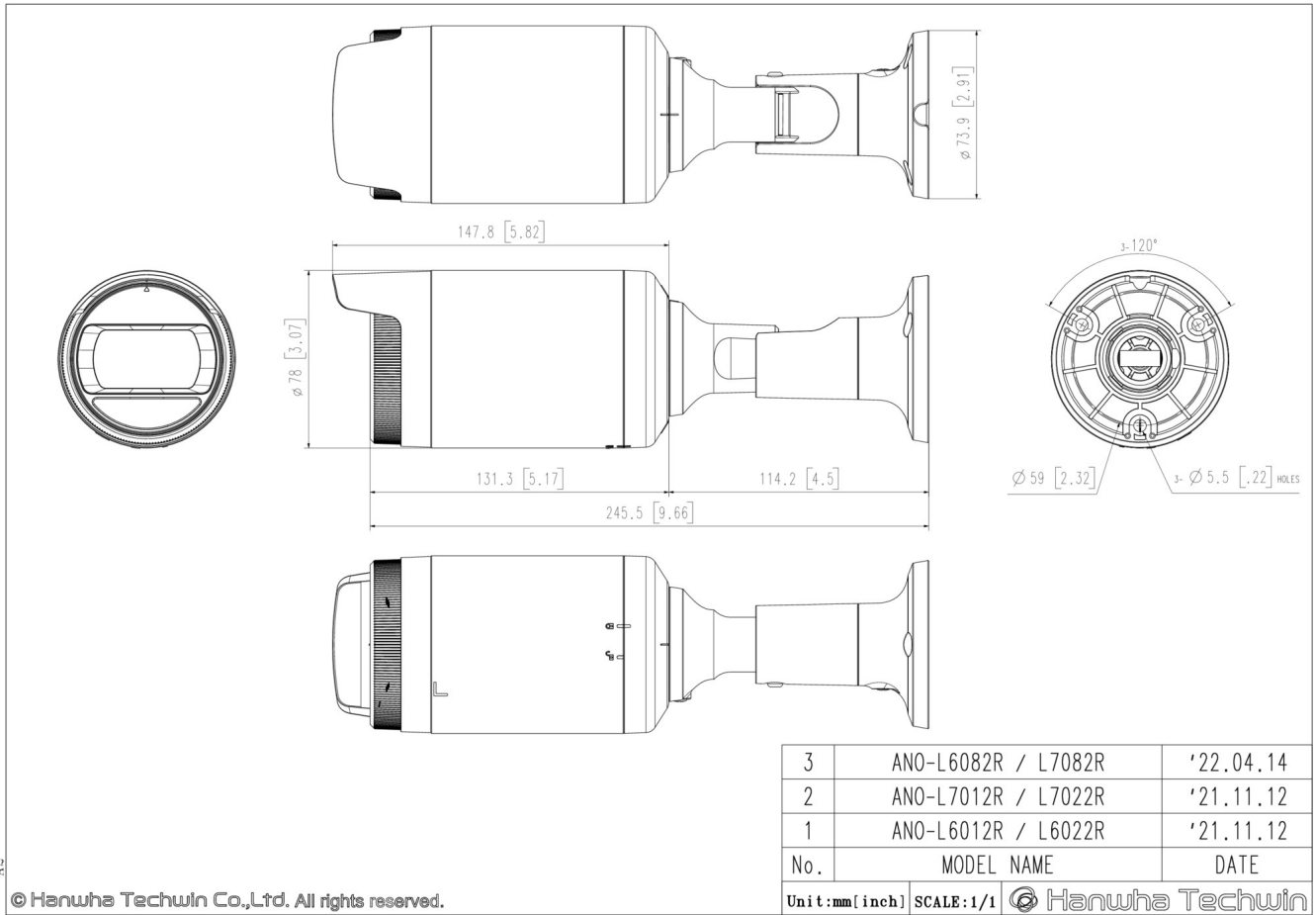
# ANO-L7082R

4MP IR Bullet Camera



CAD

Unit: mm [inch]



A2

© Hanwha Techwin Co., Ltd. All rights reserved.