



ALTV2416300UL, ALTV2416300ULCB UL Listed AC CCTV Power Supply

Rev. DSALTV2416300UL - E26I

Overview

These Altronix AC Wall Mount CCTV Power Supplies provide 24VAC or 28VAC distributed via sixteen (16) fuse or Class 2 Rated PTC protected power limited outputs for powering CCTV Cameras, heaters and other video accessories.



Specifications

- Input 115VAC, 50/60Hz, 2.7 amp.
- 24VAC @ 12.5 amp (300VA) or 28VAC @ 10 amp (280VA) supply current.
- Main fuse rated @ 10 amp/250V.
- Illuminated power disconnect circuit breaker with manual reset.
- Surge suppression.
- AC power LED.
- Spare fuse(s) provided (all models w/primary and/or secondary fuses).
- Unit maintains camera synchronization.
- Ease of installation saves time and eliminates costly labor.

Models

ALTV2416300UL

- Sixteen (16) fuse protected outputs.
- Outputs are rated @ 3.5 amp.

ALTV2416300UL3

ALTV2416300UL w/3-wire Line Cord.

ALTV2416300ULCB

- Sixteen (16) Class 2 Rated PTC protected power limited outputs.
- Outputs are rated @ 2.5 amp.

ALTV2416300ULCB3

ALTV2416300ULCB w/3-wire Line Cord.

Agency Approvals



UL Listed for Commercial CCTV Equipment (UL 2044).



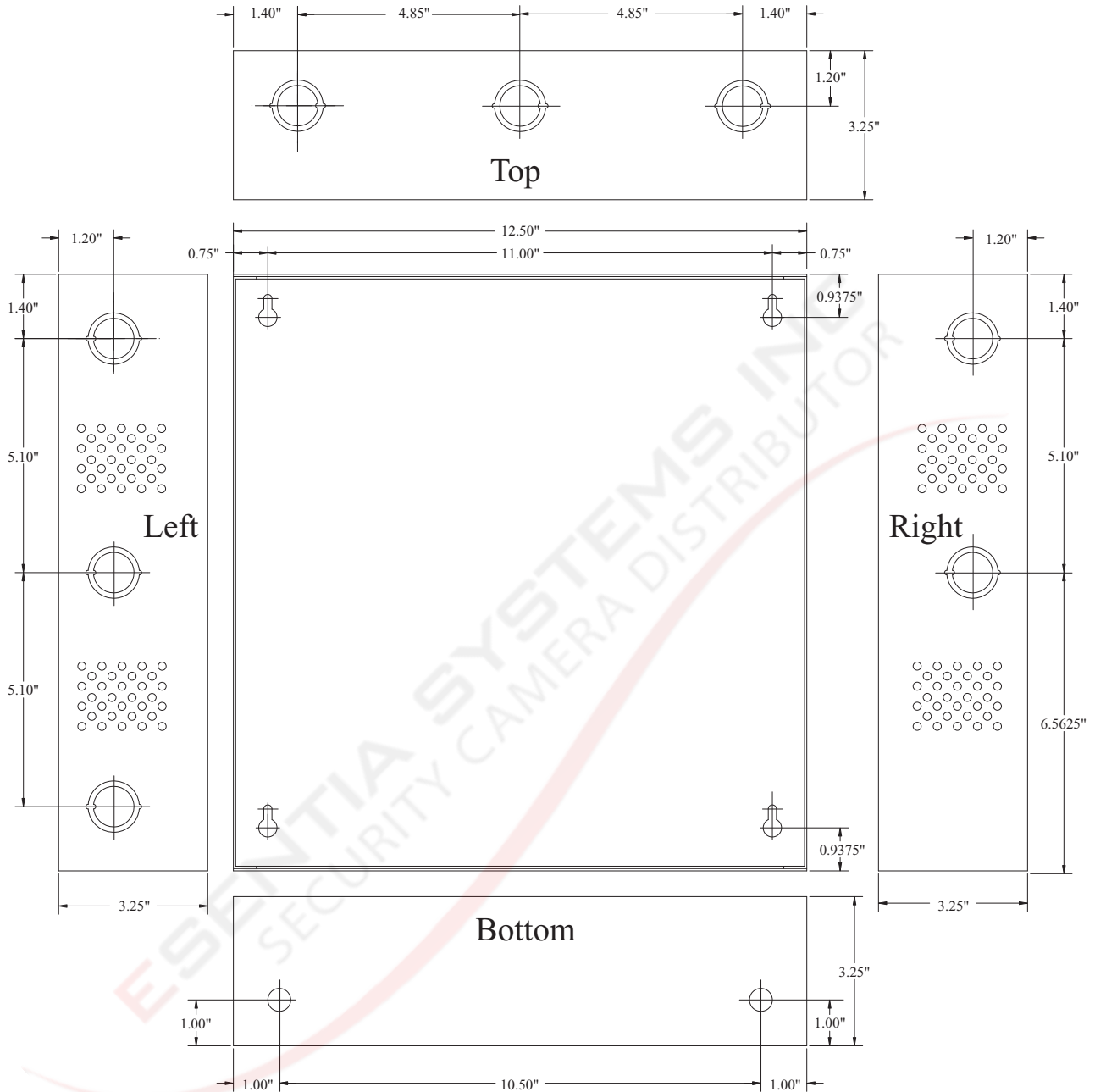
European Conformity



CUL Listed - CSA Standard C22.2 No.1-98, Audio, Video and Similar Equipment.

Enclosure Dimensions

13.5"H x 13"W x 3.25"D



Shipping Weights (approximate):

- | | | |
|------------------------------|--|-------------------------------|
| - ALTV2416300UL: 17.1 lbs. | | - ALTV2416300UL3: 18.1 lbs. |
| - ALTV2416300ULCB: 17.1 lbs. | | - ALTV2416300ULCB3: 18.1 lbs. |