



Network

Multi-sensor

# PNM-C32084RQZ-8XE256G-LU

4CH AI Multi-sensor Camera  
with Lumeo Analytics



The 4CH AI Multi-sensor camera with Lumeo Analytics brings edge-based intelligence to your organization, transforming video into actionable insights. Unlike traditional solutions, it dynamically adapts to and consolidates AI analytics on a single platform.

## Key Features

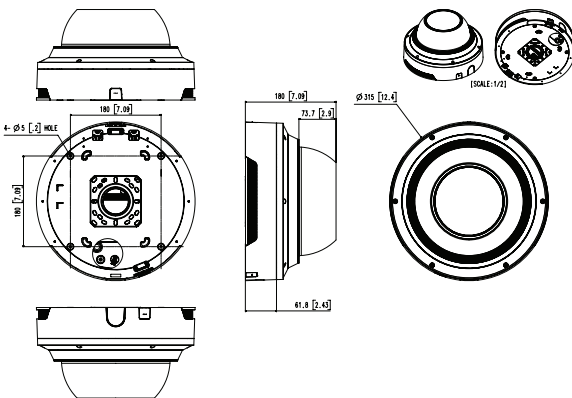
### Lumeo Analytics

- 4x Camera Channels (Supports up to 5 Channels)
- **Analytics:** Retail, Transportation, Smart Cities, Logistics, Enterprise Security
- Cloud-based management and remote live views
- Pre-built analytics library
- Custom analytics builder
- Dashboards with 30 day data retention
- **VMS Integrations:** Genetec, Milestone, Wisenet WAVE VMS, Immix, and more.

### Camera Features

- Wise AI Analytics events based on AI engine: - Object detection, Virtual line (Crossing / Direction), Virtual area (Loitering / Intrusion / Enter / Exit).
- Wise AI Classified object type : Person / Face / Vehicle / License Plate Attributes : Vehicle (Type: Car / Bus / Truck / Motorcycle / Bicycle, Color), Person (Clothing Color)
- Wise AI based WiseNRII, Auto prefer shutter control, WiseStreamIII
- Supports hallway mode
- Max. 20fps(@8MP Max. 5fps)
- 8MP@20fps (AI Off, H.265/H.264) / 4-channels x 8MP@15fps (AI ON, H.265/H.264)
- Reinforced durability (IP66, IK10, NEMA4X)
- 4.38~9.33mm (2.13x) motorized varifocal lenses
- PTRZ (Pan, Tilt, Rotate, Zoom) control of each lens for easy installation and adjustment
- WiselR 25m (82.02ft) range

CAD Unit: mm [inch]



# PNM-C32084RQZ-8XE256G-LU

4CH AI Multi-sensor Camera with Lumeo Analytics



## Specifications

| VIDEO                     |                                                                                                                                                                                                                                                                                                                                                                                                                                                                                                                                                                                                                                                              |
|---------------------------|--------------------------------------------------------------------------------------------------------------------------------------------------------------------------------------------------------------------------------------------------------------------------------------------------------------------------------------------------------------------------------------------------------------------------------------------------------------------------------------------------------------------------------------------------------------------------------------------------------------------------------------------------------------|
| Imaging Device            | 1/1.8" CMOS x 4CH                                                                                                                                                                                                                                                                                                                                                                                                                                                                                                                                                                                                                                            |
| Resolution                | 3840x2160, 1920x1080, 1280x1024, 1280x960, 1280x720, 1024x768, 800x600, 800x448, 720x576, 720x480, 640x480, 640x360                                                                                                                                                                                                                                                                                                                                                                                                                                                                                                                                          |
| Max. Framerate            | <b>[AI On] H.265/H.264:</b> Max. 15fps/15fps (60Hz/50Hz) , <b>MJPEG:</b> Max. 15fps/15fps (@8MP Max. 5fps)<br><b>[AI Off] H.265/H.264:</b> Max. 20fps/20fps (60Hz/50Hz) , <b>MJPEG:</b> Max. 20fps/20fps (@8MP Max. 5fps)                                                                                                                                                                                                                                                                                                                                                                                                                                    |
| Min. Illumination         | <b>Color:</b> 0.07Lux (F1.3, 1/30sec, 30IRE)<br><b>BW:</b> 0Lux (IR LED on)                                                                                                                                                                                                                                                                                                                                                                                                                                                                                                                                                                                  |
| LENS                      |                                                                                                                                                                                                                                                                                                                                                                                                                                                                                                                                                                                                                                                              |
| Focal Length (Zoom Ratio) | 4.38 ~ 9.33mm (2.13x) motorized varifocal                                                                                                                                                                                                                                                                                                                                                                                                                                                                                                                                                                                                                    |
| Max. Aperture Ratio       | F1.3 (Wide) ~ F2.15 (Tele)                                                                                                                                                                                                                                                                                                                                                                                                                                                                                                                                                                                                                                   |
| Angular Field of View     | <b>H:</b> 113° (Wide) ~ 47° (Tele), <b>V:</b> 58° (Wide) ~ 26° (Tele), <b>D:</b> 128° (Wide) ~ 54° (Tele)                                                                                                                                                                                                                                                                                                                                                                                                                                                                                                                                                    |
| Min. Object Distance      | 1.3m (4.27ft)                                                                                                                                                                                                                                                                                                                                                                                                                                                                                                                                                                                                                                                |
| Focus Control             | Simple focus                                                                                                                                                                                                                                                                                                                                                                                                                                                                                                                                                                                                                                                 |
| Lens Type                 | P-Iris                                                                                                                                                                                                                                                                                                                                                                                                                                                                                                                                                                                                                                                       |
| PAN/TILT/ROTATE           |                                                                                                                                                                                                                                                                                                                                                                                                                                                                                                                                                                                                                                                              |
| Pan/Tilt/Rotate Range     | Remote adjustment (Max. 200 cycles). 0°~360° / 30°~90° / 0°~90°                                                                                                                                                                                                                                                                                                                                                                                                                                                                                                                                                                                              |
| OPERATIONAL               |                                                                                                                                                                                                                                                                                                                                                                                                                                                                                                                                                                                                                                                              |
| Camera Title              | Displayed up to 85 characters                                                                                                                                                                                                                                                                                                                                                                                                                                                                                                                                                                                                                                |
| Day & Night               | Auto (ICR)                                                                                                                                                                                                                                                                                                                                                                                                                                                                                                                                                                                                                                                   |
| Backlight Compensation    | BLC, WDR, SDR                                                                                                                                                                                                                                                                                                                                                                                                                                                                                                                                                                                                                                                |
| Wide Dynamic Range (WDR)  | 120dB                                                                                                                                                                                                                                                                                                                                                                                                                                                                                                                                                                                                                                                        |
| Digital Noise Reduction   | SSNRV, WiseNR II (Based on AI engine)                                                                                                                                                                                                                                                                                                                                                                                                                                                                                                                                                                                                                        |
| Defog                     | Support                                                                                                                                                                                                                                                                                                                                                                                                                                                                                                                                                                                                                                                      |
| Motion Detection          | 8ea, 8point Polygonal zones                                                                                                                                                                                                                                                                                                                                                                                                                                                                                                                                                                                                                                  |
| Privacy Masking           | 6ea, 4 point Quadrangle zones<br>- Color: Grey/Black/White                                                                                                                                                                                                                                                                                                                                                                                                                                                                                                                                                                                                   |
| Gain Control              | Low / Middle / High                                                                                                                                                                                                                                                                                                                                                                                                                                                                                                                                                                                                                                          |
| White Balance             | ATW / AWC / Manual / Indoor / Outdoor                                                                                                                                                                                                                                                                                                                                                                                                                                                                                                                                                                                                                        |
| LDC                       | Support                                                                                                                                                                                                                                                                                                                                                                                                                                                                                                                                                                                                                                                      |
| Electronic Shutter Speed  | Minimum / Maximum / prefer shutter / Anti flicker (1/5 ~ 1/12,000sec)                                                                                                                                                                                                                                                                                                                                                                                                                                                                                                                                                                                        |
| Video Rotation            | Flip, Mirror, Hallway view (90° / 270°) - Each CH separately                                                                                                                                                                                                                                                                                                                                                                                                                                                                                                                                                                                                 |
| Analytics                 | <b>Lumeo Analytics:</b> Retail, Transportation, Smart Cities, Logistics, Enterprise Security<br><b>WiseAI: Classified object type:</b> Person/Face/Vehicle/License plate, <b>Attributes:</b> Vehicle (Type: Car / Bus / Truck / Motorcycle / Bicycle, Color), Person (Clothing color), <b>Support BestShot,</b><br><b>Analytics events based on AI engine:</b> Object detection, Virtual line (Crossing / Direction), Virtual Area (Loitering / Intrusion / Enter / Exit)<br><b>Analytics events:</b> Defocus detection, Motion detection, Tampering, Virtual area (Appear / Disappear)<br>*Audio detection, Sound classification (with NW I/O box SPM-4210) |
| Alarm I/O                 | 2 configurable I/O ports *Support Alarm via optional SPM-4210 I/O box                                                                                                                                                                                                                                                                                                                                                                                                                                                                                                                                                                                        |
| Alarm Triggers            | Analytics, Network disconnect, Alarm input, App event, Time schedule, MQTT subscription, Tampering                                                                                                                                                                                                                                                                                                                                                                                                                                                                                                                                                           |
| Alarm Events              | <b>When alarm trigger occurred:</b><br>- <b>File upload</b> (image): e-mail / FTP, - <b>Notification:</b> e-mail, - <b>Recording:</b> SD/SDHC/SDXC or NAS recording at event triggers, - <b>Alarm output,</b><br>- <b>Handover:</b> PTZ preset, send message by HTTP / HTTPS / TCP, - <b>MQTT:</b> publication                                                                                                                                                                                                                                                                                                                                               |
| Audio In                  | *Support Audio via optional SPM-4210 I/O box                                                                                                                                                                                                                                                                                                                                                                                                                                                                                                                                                                                                                 |
| Audio Out                 | *Support Audio via optional SPM-4210 I/O box                                                                                                                                                                                                                                                                                                                                                                                                                                                                                                                                                                                                                 |
| Light Viewable Length     | WiseIR 25m (82.02ft)                                                                                                                                                                                                                                                                                                                                                                                                                                                                                                                                                                                                                                         |

## NETWORK

|                                   |                                                                                                                                                                                                                       |
|-----------------------------------|-----------------------------------------------------------------------------------------------------------------------------------------------------------------------------------------------------------------------|
| Ethernet                          | Metal Shielded RJ-45 (10 / 100 / 1000 BASE-T)                                                                                                                                                                         |
| Video Compression                 | H.265 / H.264: Main / Baseline / High, MJPEG                                                                                                                                                                          |
| Smart Codec                       | Manual (Sea area), WiseStreamII                                                                                                                                                                                       |
| Video Quality Adjustment          | <b>H.264 / H.265:</b> Target bitrate level control, <b>MJPEG:</b> Target bitrate level control                                                                                                                        |
| Bitrate Control                   | <b>H.264 / H.265:</b> CBR or VBR, <b>MJPEG:</b> VBR                                                                                                                                                                   |
| Streaming                         | Unicast (10 users) / Multicast, Multiple streaming (Up to 3 profiles per CH)                                                                                                                                          |
| Protocol                          | IPv4, IPv6, TCP/IP, UDP/IP, RTP(UDP), RTP(TCP), RTCP, RTSP, NTP, HTTP, HTTPS, SSL/TLS, DHCP, FTP, SMTP, ICMP, IGMP, SNMPv1/v2c/v3(MIB-2), ARP, DNS, DDNS, QoS, UPnP, Bonjour, LLDP, CDP, SRTP(TCP, UDP Unicast), MQTT |
| Application Programming Interface | ONVIF Profile S/T/M, SUNAPI (HTTP API), Hanwha Vision open platform                                                                                                                                                   |

## SECURITY

|                        |                                                                  |
|------------------------|------------------------------------------------------------------|
| OS / Firmware Protect  | Encrypted Firmware, Secure boot, Signed Firmware                 |
| User Authentication    | Digest Authentication                                            |
| Network Authentication | IEEE 802.1X (EAP - TLS, EAP - LEAP, EAP - PEAP, MSCHAPv2)        |
| Secure Communication   | HTTPS, WSS (WebSocket Secure)                                    |
| Access Control         | IP-based access control                                          |
| Data Protect           | Encryption Credentials, Encrypt compress for live recording file |
| Audit                  | Access / System / Event Log management                           |
| Device ID              | Device certificate(Hanwha Vision Root CA)                        |
| Secure Storage         | TPM, SDCard partition encrypt                                    |
| Security Certificate   | TPM with FIPS 140-2 level 2                                      |

## GENERAL

|                      |                                                                                                                                            |
|----------------------|--------------------------------------------------------------------------------------------------------------------------------------------|
| Webpage Language     | English, Korean, Chinese, French, Italian, Spanish, German, Japanese, Russian, Portuguese, Czech, Polish, Turkish, Dutch, Greek, Hungarian |
| Edge Storage         | Micro SD/SDHC/SDXC 2slot Max. 1TB(2 x 512GBx2)                                                                                             |
| Memory               | 8GB RAM, 64GB eMMC                                                                                                                         |
| NVIDIA Carrier Board | NVIDIA Jetson Orin NX 8GB<br>256G SSD Included<br>4x Lumeo AI Platform Enterprise License                                                  |

## ENVIRONMENTAL &amp; ELECTRICAL

|                                  |                                                                                                                             |
|----------------------------------|-----------------------------------------------------------------------------------------------------------------------------|
| Operating Temperature / Humidity | -40°C~+55°C(-40°F~+131°F) / 0~100% RH(condensing)<br>* Start up should be done at above -20°C, Humidity control /w AIR vent |
| Storage Temperature / Humidity   | -50°C~+60°C(-58°F~+140°F) / 0~90% RH                                                                                        |
| Certification                    | IP66, NEMA4X, IK10                                                                                                          |
| Input Voltage                    | HPoE(IEEE802.3bt type4, Class8)                                                                                             |
| Power Consumption                | HPoE: Max 66.0W, Typical 40.0W(Orin NX 8GB)<br>Max. 71.0W, Typical 40.00W(Orin NX 16GB)                                     |

## MECHANICAL

|                                   |                                                            |
|-----------------------------------|------------------------------------------------------------|
| Color / Material                  | White / Aluminum + PC<br>Bubble: Hard-coated dome          |
| RAL Code                          | RAL9003                                                    |
| Product Dimensions / Weight       | ø315x180mm(ø12.40x7.09") / 6100g(13.45 lb)                 |
| Compatible Conduit hole / Gangbox | 19.1mm (3/4") (M25), Single, double, 4" octagon, 4" square |

## CERTIFICATION &amp; STANDARDS

|             |                                                                                                                                                                                                               |
|-------------|---------------------------------------------------------------------------------------------------------------------------------------------------------------------------------------------------------------|
| EMC         | FCC 47 CFR 15 Subpart B Class A, ICES-3 (A) / NMB-3 (A), CE/UKCA - EN 55032 Class A, EN 50130-4, EN 61000-3-2, EN 61000-3-3, VCCI CISPR 32 Class A, RCM AS/NZS CISPR 32 Class A, KS C 9832 Class A, KS C 9835 |
| Safety      | UL 62368-1, CAN/CSA C22.2 NO. 62368-1, IEC/EN 62471                                                                                                                                                           |
| Environment | IEC/EN 63000, IEC/EN 60529 IP66, IEC/EN 62262 IK10, NEMA 250 type 4X                                                                                                                                          |

**COMPATIBLE MODELS**

|                             |                                                                             |
|-----------------------------|-----------------------------------------------------------------------------|
| Hanging Adaptor             | SBP-315HMW, SBP-317HMWP                                                     |
| Ceiling Mount (Assy)        | SBP-150CMI/300CMI, SBP-300CMW1/900CMW, SBP-300CMTW, SBP-300CMTS             |
| Ceiling Mount (Single Unit) | SBP-180CMB/140CMB, SBP-180CMS, SBP-900CMP/300CMP/150CMP, SBP-C15P, SBP-C15H |
| Wall Mount                  | SBP-400WMW/250WMW, SBP-300WMW                                               |
| Wall Mount Adaptor          | SBP-300BW1, SBP-115PFA                                                      |
| Pole Mount                  | SBP-300PMW2                                                                 |
| Corner Mount                | SBP-300KMW1, SBP-156KMW                                                     |
| Parapet Mount               | SBP-300LMW, SBP-156LMW1                                                     |
| Cabinet                     | SBP-300NBW, SBP-150NBW                                                      |
| Interface Box               | SPM-4210                                                                    |
| Other Compatible Models     | SBP-315C, SPO-8315                                                          |

**DORI (EN62676-4 STANDARD)**

|                            |                                                |
|----------------------------|------------------------------------------------|
| Detect (25PPM / 8PPF)      | Wide: 50.8m(166.77ft) / Tele: 176.6m(579.49ft) |
| Observe (63PPM / 19PPF)    | Wide: 20.3m(66.71ft) / Tele: 70.7m(231.80ft)   |
| Recognize (125PPM / 38PPF) | Wide: 10.2m(33.35ft) / Tele: 35.3m(115.90ft)   |
| Identify (250PPM / 76PPF)  | Wide: 5.1m(16.68ft) / Tele: 17.7m(57.95ft)     |

**VER**

|     |          |
|-----|----------|
| Ver | 20241018 |
|-----|----------|